

Data sheet Product TF 183

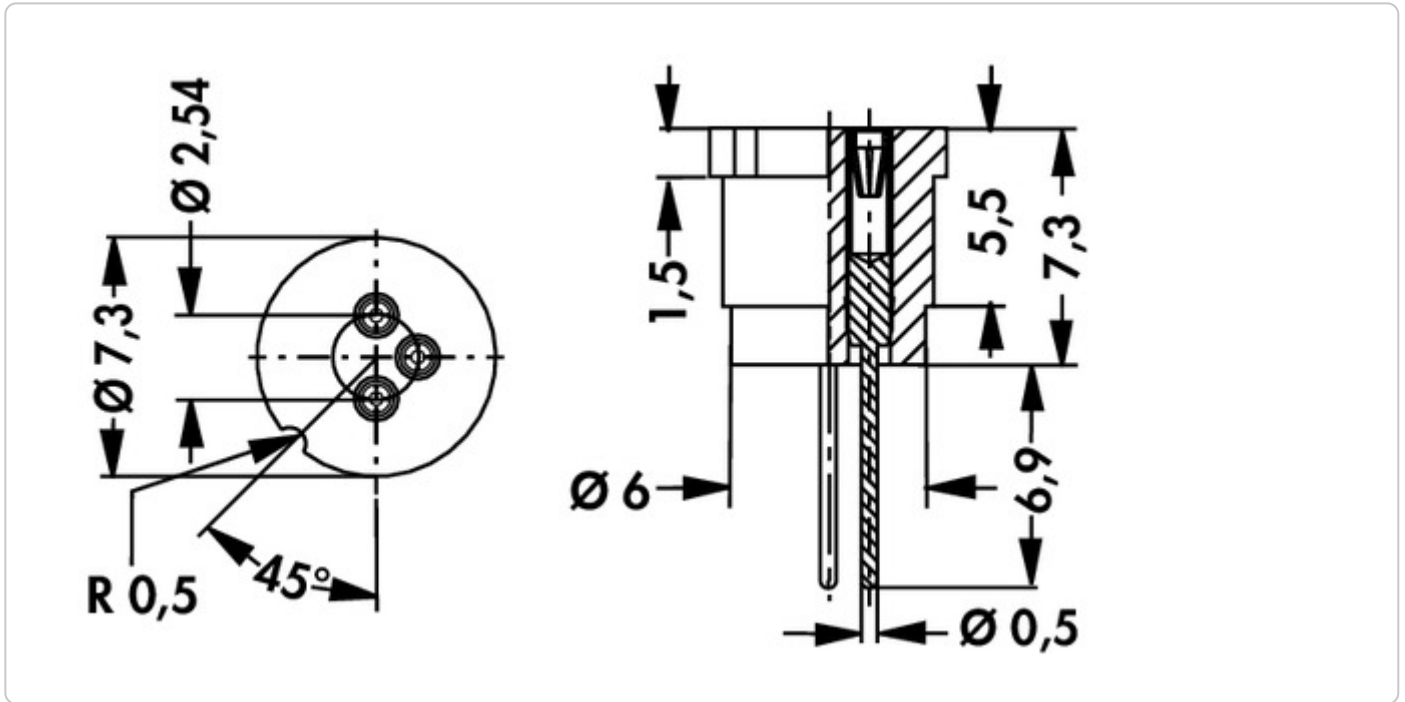


Sockets > Sockets for TO ... cases
Transistor sockets - teflon sockets for TO 18

Features

contact material	CuZn-alloy
contact spring	gold-plated
surface contact / contact sleeve	Ni+ $\geq 0.2\mu\text{m}$ Au
no. of contacts	3
inner contact spring material	CuBe-alloy
inner contact spring surface	Ni+ $0,75\mu\text{m}$ Au
plugability for circuit points	<ul style="list-style-type: none"> • 0,22x0,25mm... 0,4x0,55mm • $\varnothing 0,4...0,56\text{mm}$
insert depth	2.5...3.6mm
insertion / drawing force	<ul style="list-style-type: none"> • 4 lamellas contact • 1.8 N/1.4 N
shock resistance	50 g
vibration resistance max.	15 g
volume resistance	10 m Ω
contact resistance	4 m Ω
contact resistance after 1000 cycles	7 m Ω
nominal current	1.5 A
nominal voltage	100 V DC
test voltage	1000 V
insulating body material	PTFE
temperature range	-200°C ... +260°C
class of flammibility	UL 94 V-0
version	for TO 18
for cases	teflon
contact type	precision contacts
specific insulation resistance	$>10.0^{14.0} \Omega \cdot \text{m}$
contact sleeve	gold-plated

Technical Drawing



Fischer Elektronik GmbH & Co. KG
DEUTSCHLAND • GERMANY • ALLEMAGNE

Nottebohmstraße 28
58511 Lüdenscheid

Telefon +49 2351 435-0
Telefax +49 2351 45754

info@fischerelektronik.de
www.fischerelektronik.de