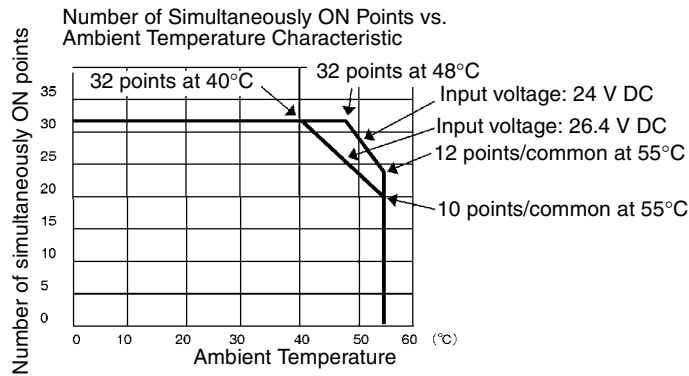
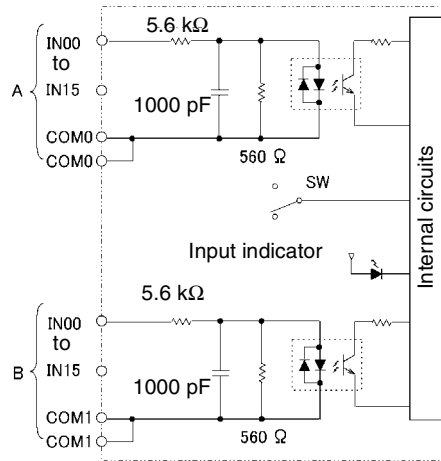


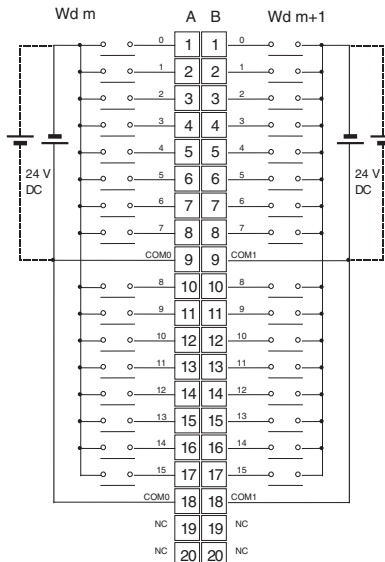
CJ1W-ID231 DC Input Unit (Fujitsu Connector, 32 Points)

Rated Input Voltage	24 V DC
Rated Input Voltage Range	20.4 to 26.4 V DC
Input Impedance	5.6 kΩ
Input Current	4.1 mA typical (at 24 V DC)
ON Voltage/ON Current	19.0 V DC min./3 mA min.
OFF Voltage/OFF Current	5 V DC max./1 mA max.
ON Response Time	8.0 ms max. (Can be set to between 0 and 32 in the PLC Setup.)
OFF Response Time	8.0 ms max. (Can be set to between 0 and 32 in the PLC Setup.)
Number of Circuits	32 (16 points/common, 2 circuits)
Number of Simultaneously ON Points	75% (12 points/common) (at 24 V DC) (Refer to the following illustration.)
Insulation Resistance	20 MΩ between external terminals and the GR terminal (100 V DC)
Dielectric Strength	1,000 V AC between the external terminals and the GR terminal for 1 minute at a leakage current of 10 mA max.
Internal Current Consumption	5 V DC: 90 mA max.
Weight	70 g max.
Accessories	None

Circuit Configuration



Terminal Connections



- The input power polarity can be connected in either direction.
- Be sure to wire both terminals A9 and A18 (COM0), and set the same polarity for both pins.
- Be sure to wire both terminals B9 and B18 (COM1), and set the same polarity for both pins.

Note The ON response time will be 20 μs maximum and OFF response time will be 300 μs maximum even if the response times are set to 0 ms due to internal element delays.

CJ1W-ID232 DC Input Unit (MIL Connector, 32 Points)

Rated Input Voltage	24 V DC
Rated Input Voltage Range	20.4 to 26.4 V DC
Input Impedance	5.6 kΩ
Input Current	4.1 mA typical (at 24 V DC)
ON Voltage/ON Current	19.0 V DC min./3 mA min.
OFF Voltage/OFF Current	5 V DC max./1 mA max.
ON Response Time	8.0 ms max. (Can be set to between 0 and 32 in the PLC Setup.)
OFF Response Time	8.0 ms max. (Can be set to between 0 and 32 in the PLC Setup)
Number of Circuits	32 (16 points/common, 2 circuits)
Number of Simultaneously ON Points	75% (12 points/common) (at 24 V DC) (Refer to the following illustration.)
Insulation Resistance	20 MΩ between external terminals and the GR terminal (100 V DC)
Dielectric Strength	1,000 V AC between the external terminals and the GR terminal for 1 minute at a leakage current of 10 mA max.
Internal Current Consumption	5 V DC: 90 mA max.
Weight	70 g max.
Accessories	None