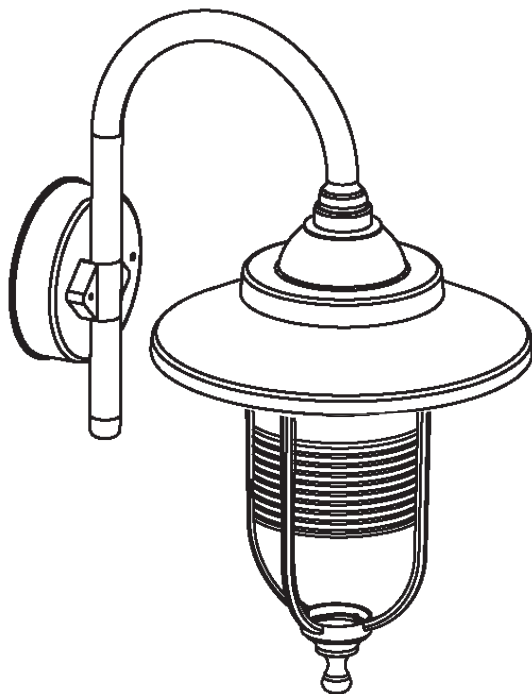


PRO-ELEC



Plastic Garden Lamp Model: PEL00824

Please read these instructions carefully before use and retain for future reference.

IMPORTANT SAFETY INFORMATION

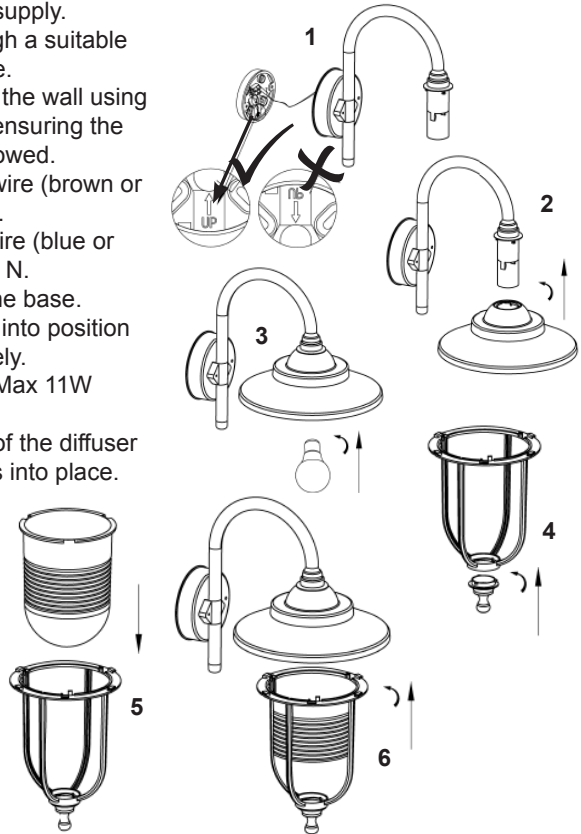
- When using electrical appliances basic safety precautions should always be followed.
- Check that the voltage indicated on the rating plate corresponds with that of the local network before connecting the appliance to the mains power supply.

Safety Information for Installation and Operation

- Avoid excessive force when installing.
- Always install on a surface that can support the weight of the fixture.

INSTALLATION

- Turn off or isolate the mains supply.
- Feed the supply wiring through a suitable access point in the base plate.
- Mount the product base onto the wall using a suitable mounting method ensuring the directional marking UP is followed.
- Connect the positive supply wire (brown or red) to the terminal marked L.
- Connect the neutral supply wire (blue or black) to the terminal marked N.
- Fit the main assembly onto the base.
- Attach the shade by sliding it into position and turning it to locate securely.
- Fit an appropriate lamp E27 Max 11W (not supplied).
- Fit the finial onto the bottom of the diffuser cage by turning it until it locks into place.
- Lower the diffuser into the cage.
- Attach the diffuser & cage assembly onto the shade by engaging the lugs and turn it to locate securely.
- Restore the mains supply.



CLEANING AND MAINTENANCE

- Clean only with a soft, dry cloth. Do not use any chemicals, abrasives or solvents that may damage the product.

SPECIFICATIONS

Voltage	220-240V~50Hz <input type="checkbox"/>
IP rating	IP44
Lamp type	E27 11W Fluorescent or LED



INFORMATION ON WASTE DISPOSAL FOR CONSUMERS OF ELECTRICAL & ELECTRONIC EQUIPMENT.

When this product has reached the end of its life it must be treated as Waste Electrical & Electronic Equipment (WEEE). Any WEEE marked products must not be mixed with general household waste, but kept separate for the treatment, recovery and recycling of the materials used. Contact your local authority for details of recycling schemes in your area.



Made in China. PR2 9PP

Man Rev 1.0