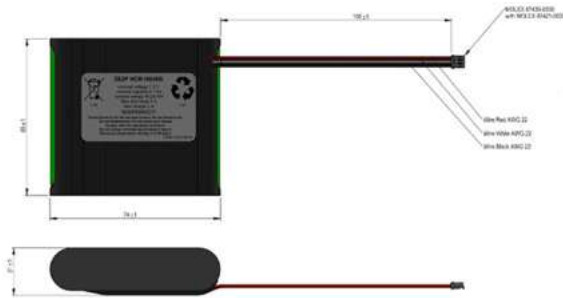


powered by
Panasonic

WAT2S2PNCR18650B!A – 7.4V / 6700 mAh

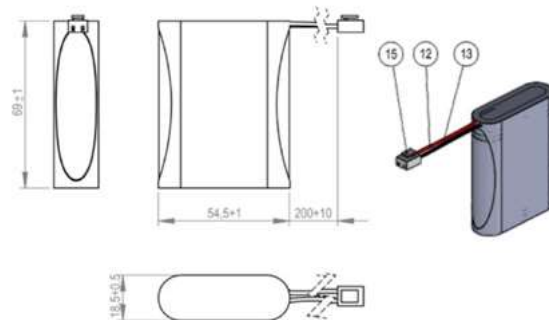
UN 38.3



Specifications	
Nominal Voltage [V]	7.2
Minimum capacity [mAh]	6500
Typical capacity [mAh]	6700
Charging method	CC/CV
Charging voltage [V]	8.4
Size [mm]	According to the drawing
Weight [g]	250 ± 25
Typical charge [mA]	2000
Maximum continuous discharge current [mA]	2000 (temp. 20 °C)
Discharge cut-off voltage [V]	5
Charge temperature	Typical 0 °C do 45 °C
Discharge temperature	Continuous -20 °C do 60 °C
Storage temperature	Recommended -20 °C do 20 °C

WAT3S1PICR1865022F – 11.1V / 2200 mAh

UN 38.3



Specifications	
Nominal Voltage [V]	11.1
Typical capacity [mAh]	2 200
Charging method	CC/CV
Charging voltage [V]	4.2
Size [mm]	According to the drawing
Weight [g]	200
Typical charge [mA]	1 100
Rapid charge [mA]	2 200
Maximum continuous discharge current [mA]	3 500
Pulse discharge current [mA]	4 400
Charge temperature	Typical 0 °C to 45 °C Rapid 0 °C to 45 °C
Discharge temperature	Continuous -20 °C to 60 °C
Storage temperature	Recommended -20 °C do 25 °C