

BASIC PART NUMBER: 83808-- X X X X X X X X X X

CARD TYPE: I

CARD TYPE: II

I/O: CLOSED WITH GROUND CONTACT

I/O: 1 CONNECTOR

I/O: 2 CONNECTORS

LABEL RECESS: NO

LABEL RECESS: YES

INSULATOR: NO

INSULATOR: YES

CARDBUS: NO

CARDBUS: YES

PACKAGING: 1000Pcs/BOX

PACKAGING: 200Pcs/BOX

ALL PART NUMBER: RoHS COMPLIANT SPECIFICATION

83808-XXXXXX IS SIMILAR TO 83808-XXXXXXLF, THE SUFFIX "LF" IS ADDED FOR LEAD FREE IDENTIFICATION


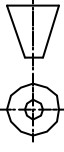
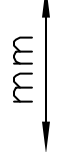
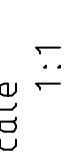
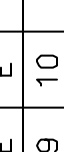
THIS PRODUCT MEETS EUROPEAN UNION DIRECTIVES AND OTHER COUNTRY REGULATIONS AS PER GS-22-008. PACKAGING SPECIFICATION GS-14-920

PROPERTIES:

CARD SHIELD: STAINLESS STEEL, THICKNESS 0.2mm SURFACE FINISH: MATTE

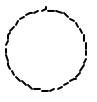
FRAME BAR: PPO, COLOR BLACK, UL94V-0

INSULATOR: DIELECTRIC STRENGTH 2500V

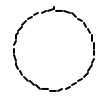
mat'l. code		tolerances unless otherwise specified		CUSTOMER COPY		 www.fciconnect.com	
ltr	ecn no	dr	date	projection		title	
H	F10514	DLE	01.09.07			ROCARD SHIELD	
J	F05-0254	DLE	05.09.26			product family	
K	F06-0138	DLE	06.02.27			PCMCIA	
L	F06-0138	DLE	06.02.27	mm		code	
E	F90655	DLE	99.10.25	scale		213	
F	F00106	LMU	00.01.19	1:1		sheet	
G	F00439	DLE	00.06.19			1 of 10	
sheet	revision	L	F	E	E		
index	sheet	1	2	3	4	5	6
						7	8
						9	10



Tous droits strictement reserves. Reproduction ou communication p des  
Hans Hardin  
sans que la forme que ce soit sans autorisation ecrite du  
Proprietaire.  
Proprietaire de c FCI Besancon S. A.  
Droits de reproduction FCI Besancon S. A.

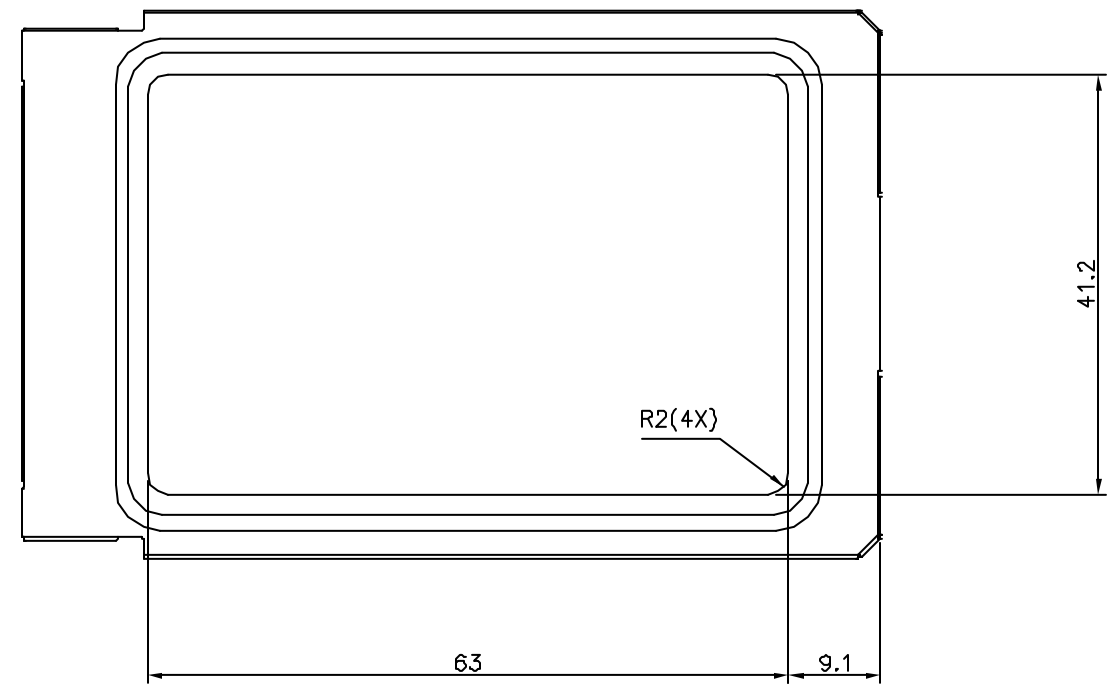
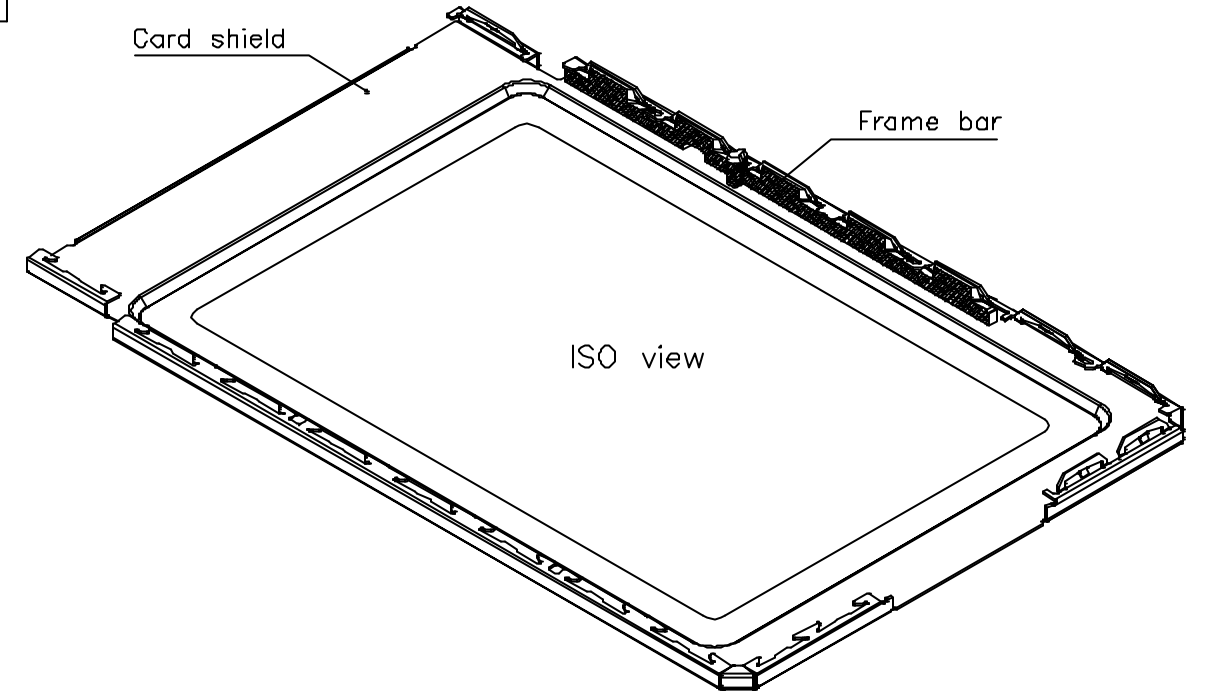
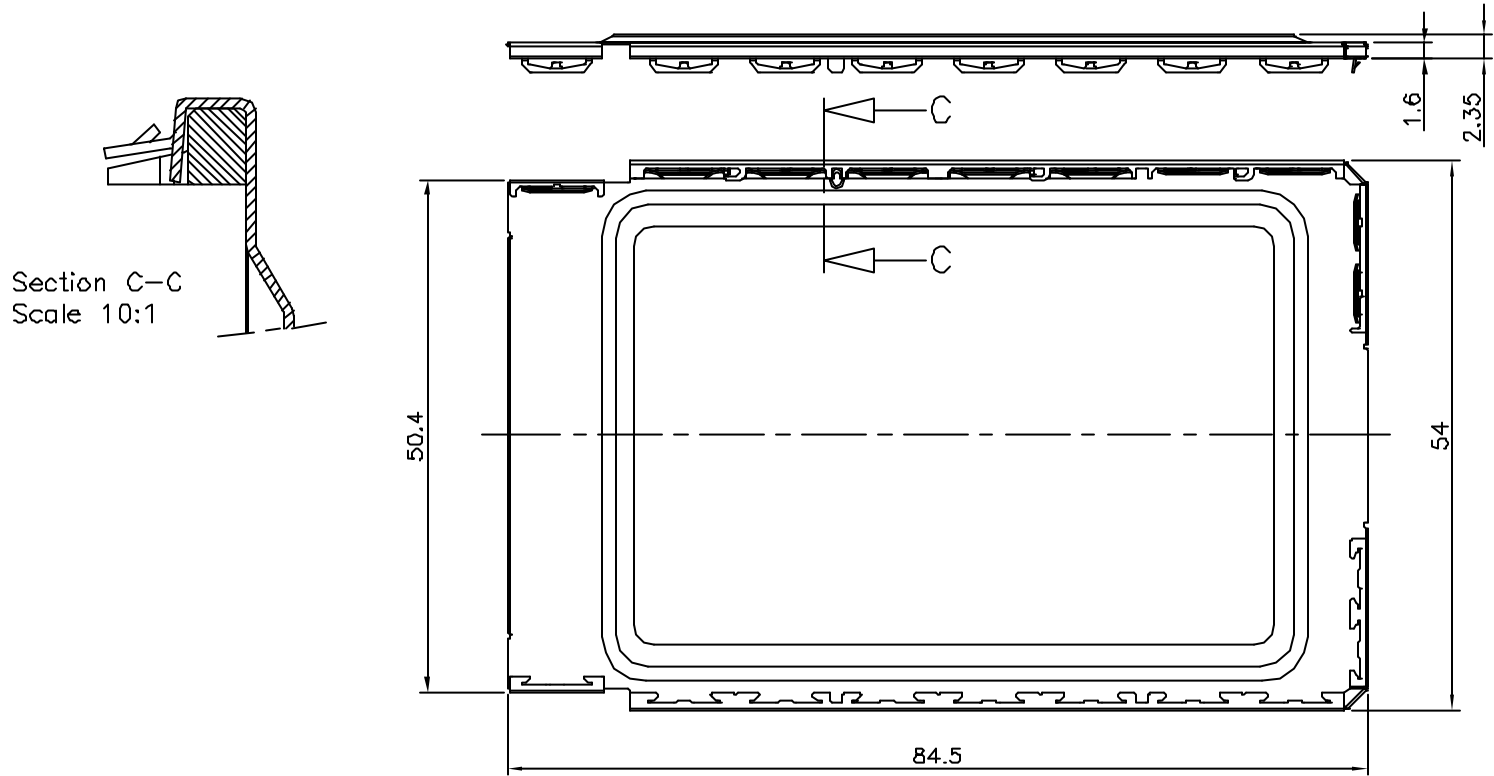


All rights strictly reserved. Reproduction or issue to third parties in  
any form is not permitted without written authorization from the  
Proprietor.  
Proprietaire de c FCI Besancon S. A.  
Copyright FCI Besancon S. A.

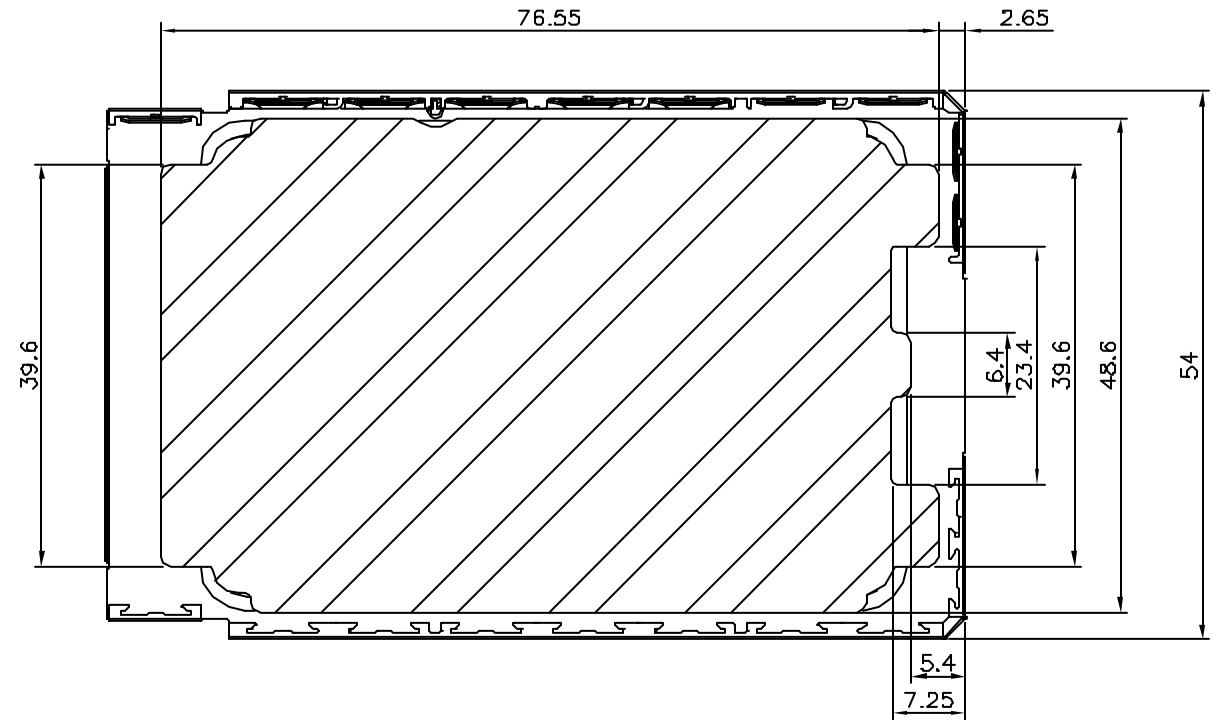


Product number	Insulator	Label recess
83808-21000LF	no	no
83808-21010LF	yes	no
83808-21100LF	no	yes
83808-21110LF	yes	yes

Product number	Packaging
83808-xxxxxLF	1000 Rocard Shield/Box
83808-xxxxxSLF	200 Rocard Shield/Box



Version: Label recess  
(maximum label thickness 0.07 mm)



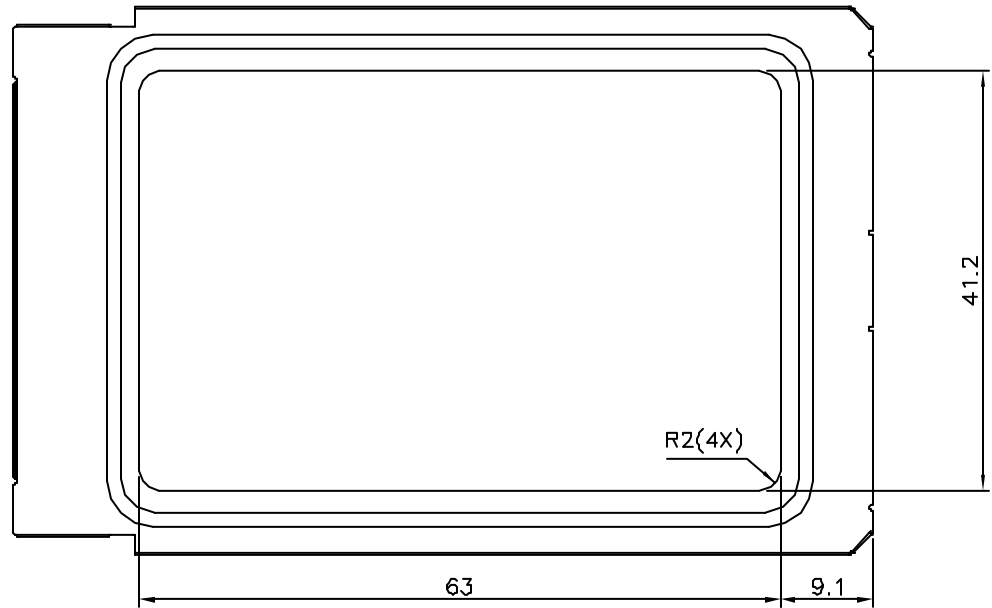
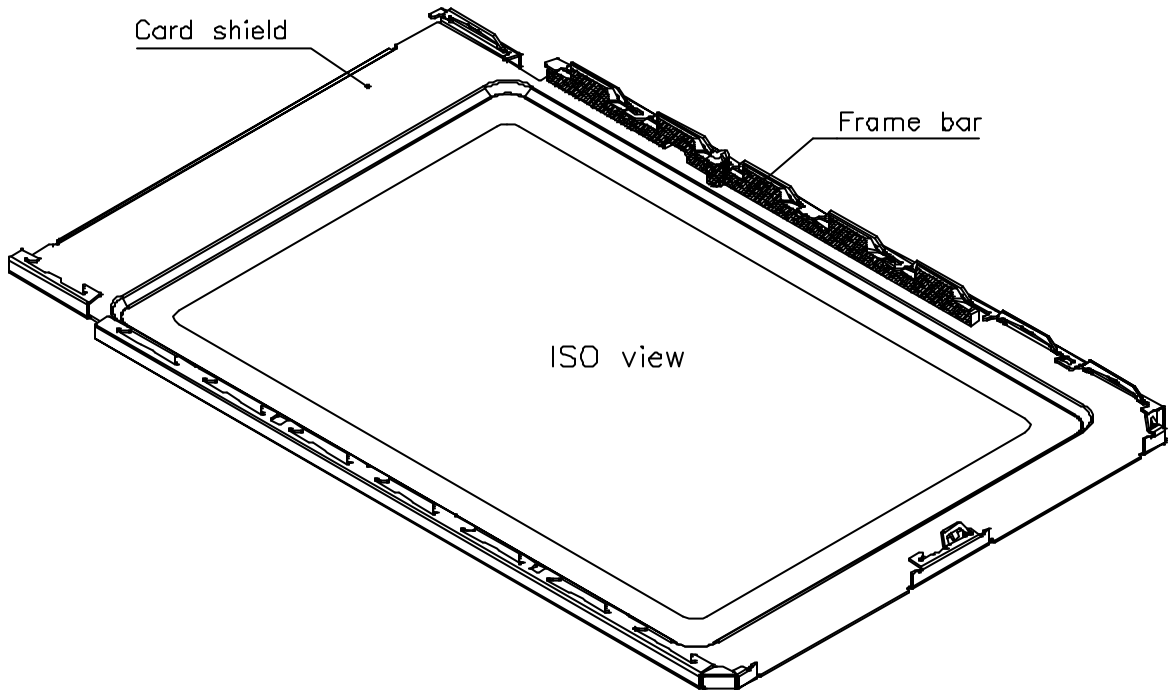
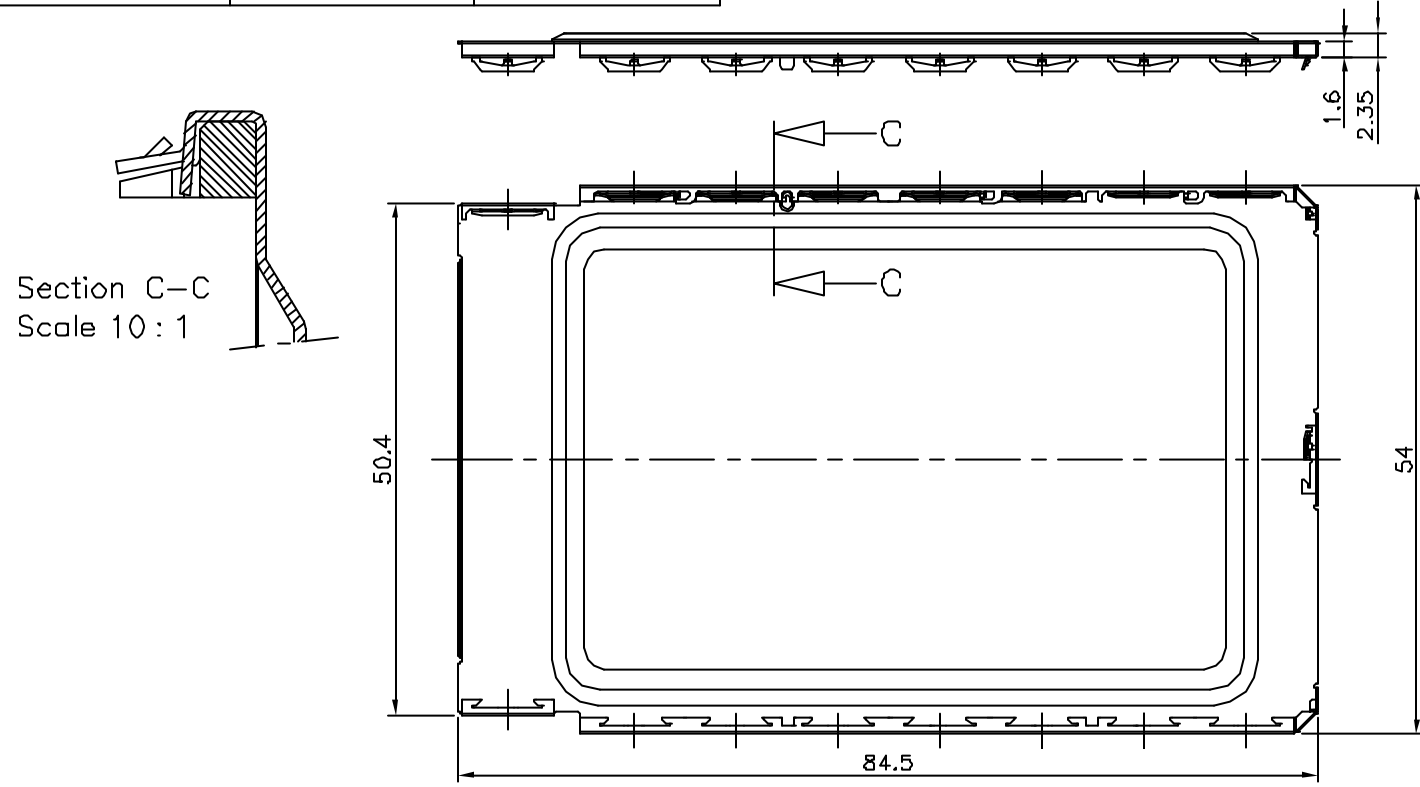
Version: Insulator  
(thickness 0.07 mm)

mat'l code		tolerances unless otherwise specified		CUSTOMER COPY	FCI ELECTRONICS	
lfr	ec'n no	dr	date	projection	www.fciannex.com	
A	H80049	GCA	98.02.12	Linear	ROCARD SHIELD	
B	F80195	GCA	98.04.08		TYPE II, 1x1/0	
C	F90323	DLE	99.05.04	angles	product family	PCMCIA
D	F10514	dLE	01.08.07	dr	size	dwg no
E	F05-0254	DLE	05.09.26	engr	F HAUTIER	99.05.04
F	F08-0138	DLE	08.02.27	chr	D LEGRAND	99.05.04
				app	F HAUTIER	99.05.04
sheet index	revision sheet			scale	A2	83808
						code 213
						sheet 2 of -

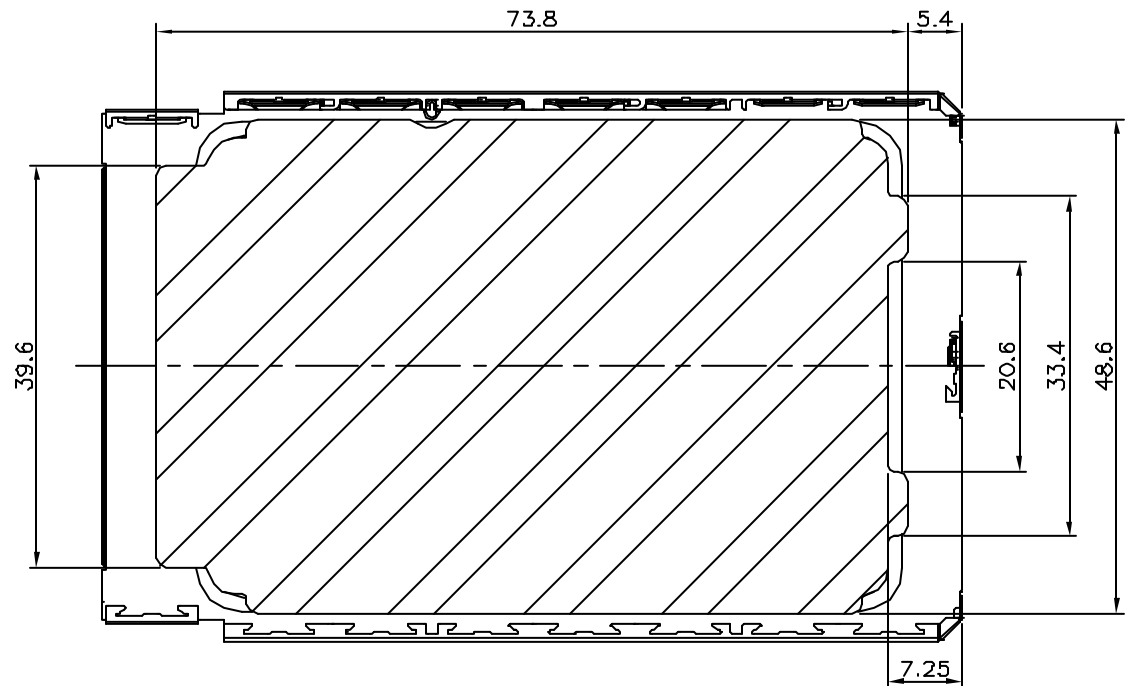
All rights reserved. Reproduction or translation in any form or by any means, electronic or mechanical, including photocopying, recording, or by any information storage and retrieval system, is prohibited without the prior written permission of FCI Electronics, Inc.

Product number	Insulator	Label recess
83808-22000LF	no	no
83808-22010LF	yes	no
83808-22100LF	no	yes
83808-22110LF	yes	yes

Product number	Packaging
83808-xxxxxLF	1000 Rocard Shield/Box
83808-xxxxxSLF	200 Rocard Shield/Box



Version: Label recess  
(maximum label thickness 0.07 mm)



Version: Insulator  
(thickness 0.07 mm)

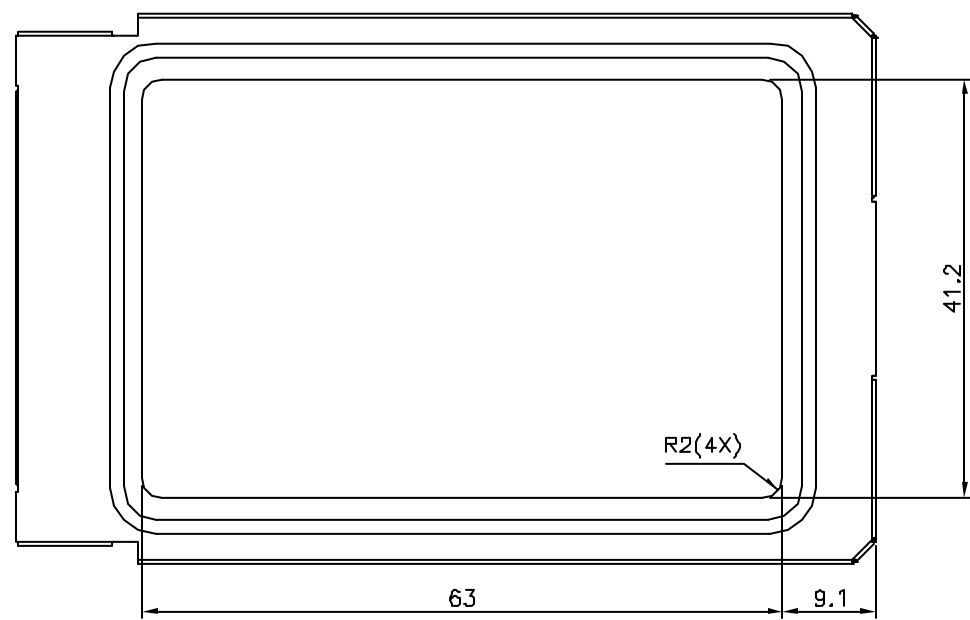
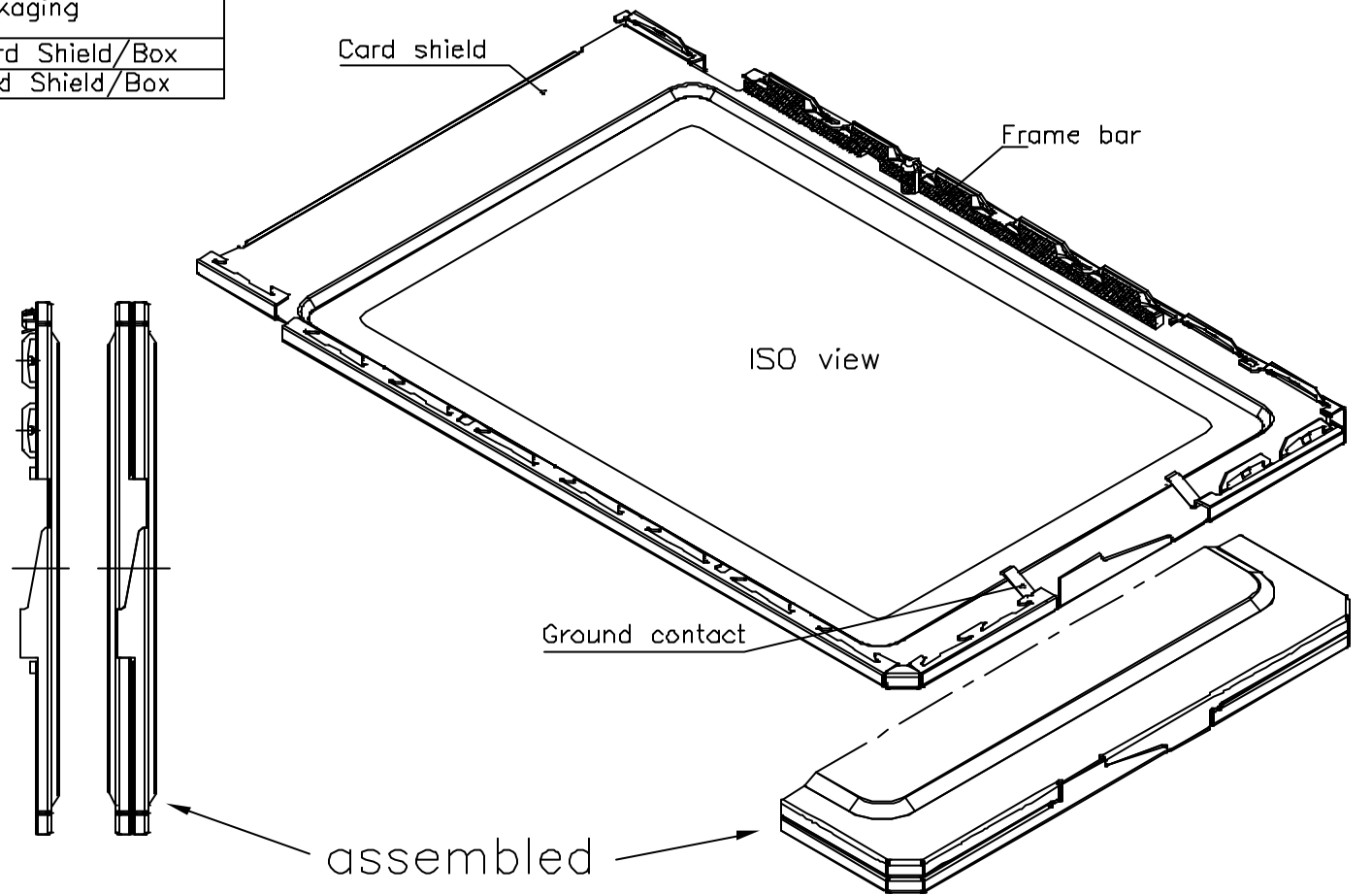
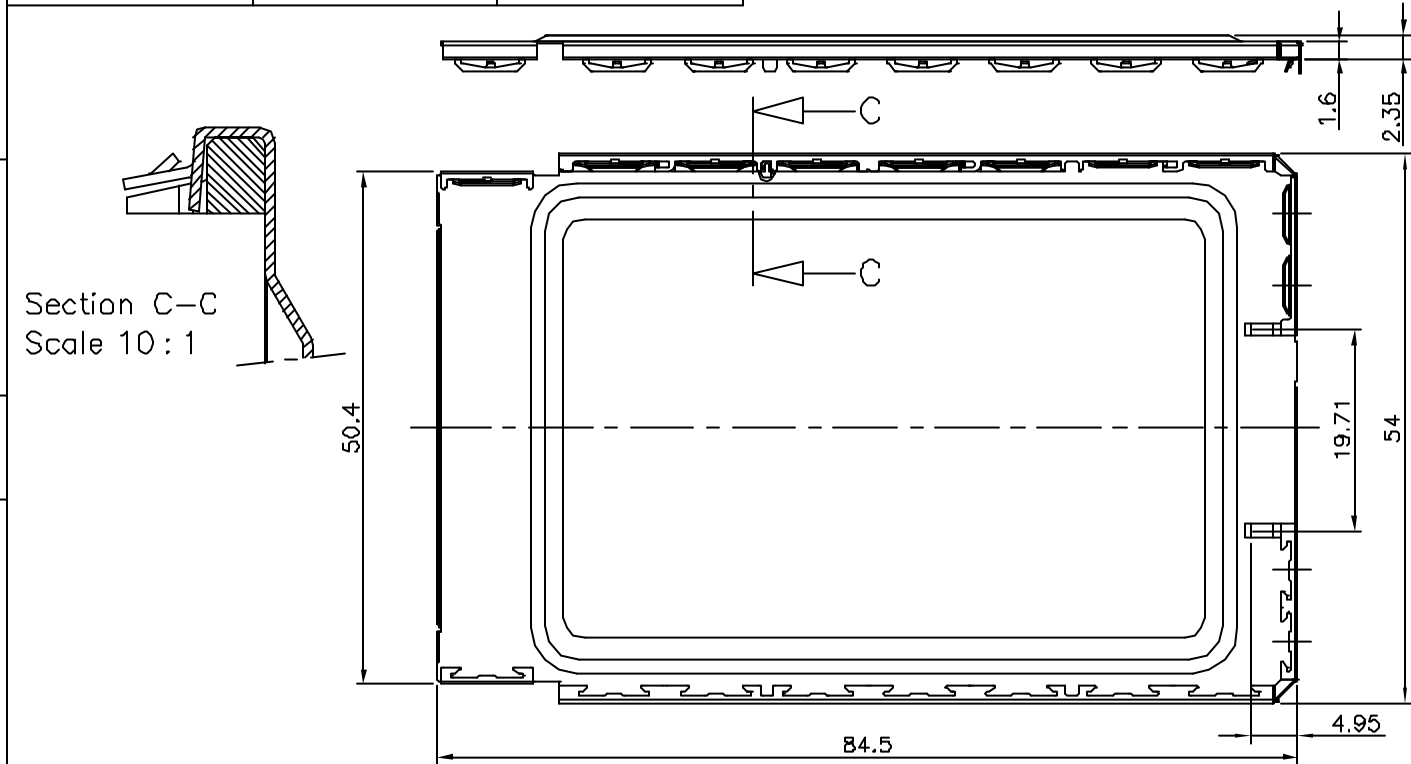
mat'l. code		tolerances unless otherwise specified		CUSTOMER COPY	FCI ELECTRONICS	
lfr	ec'n no	dr	date	projection	www.folcannet.com	
A	H80049	GCA	98.02.12		title	
B	F80195	GCA	98.04.08		ROCARD SHIELD	
C	F80323	DLE	98.05.04		TYPE II, 2x1/0	
D	F10514	DLE	01.08.07		product family PCMCIA	
E	F05-0254	DLE	05.09.26	mm	code	213
F	F08-0138	DLE	08.02.27	scale	size	sheet
				2:1	A2	3 of -
sheet index	revision sheet					

All rights reserved. Reproduction or translation in any form or by any means, electronic or mechanical, including photocopying, recording, or by any information storage and retrieval system, is prohibited without the written permission of FCI Electronics, Inc.

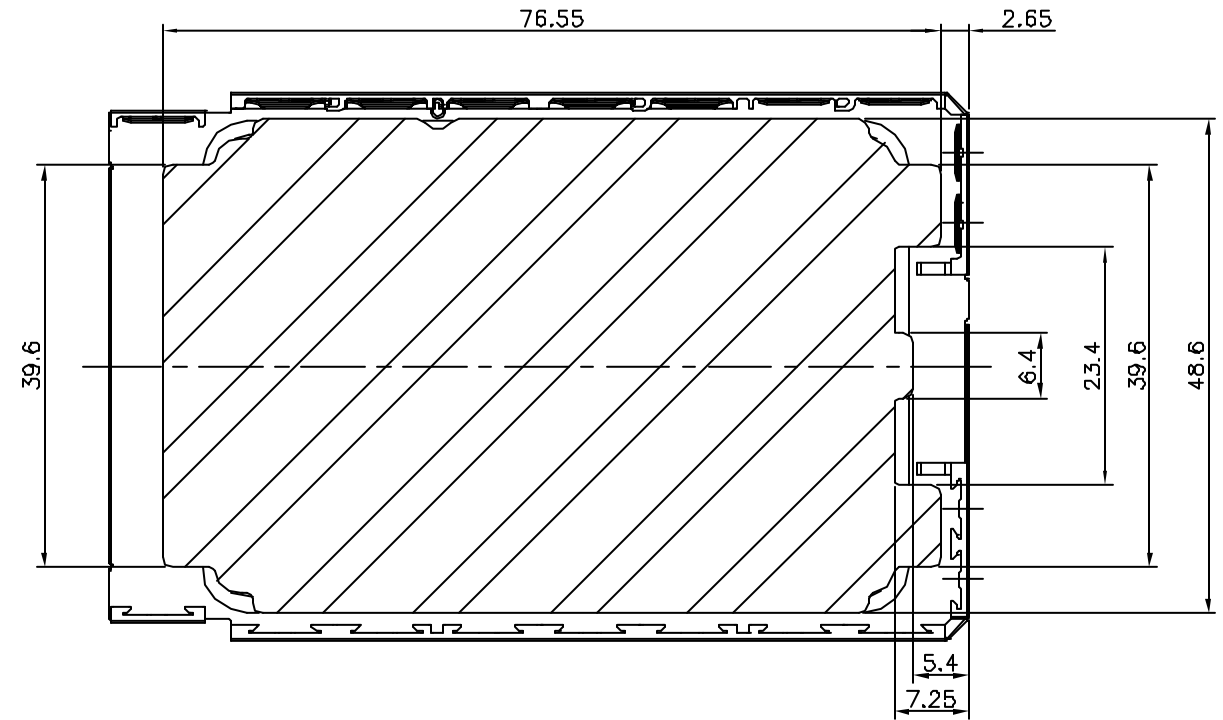


Product number	Insulator	Label recess
83808-20000LF	no	no
83808-20010LF	yes	no
83808-20100LF	no	yes
83808-20110LF	yes	yes

Product number	Packaging
83808-xxxxxLF	1000 Rocard Shield/Box
83808-xxxxxSLF	200 Rocard Shield/Box



Version: Label recess  
(maximum label thickness 0.07 mm)



Version: Insulator  
(thickness 0.07 mm)

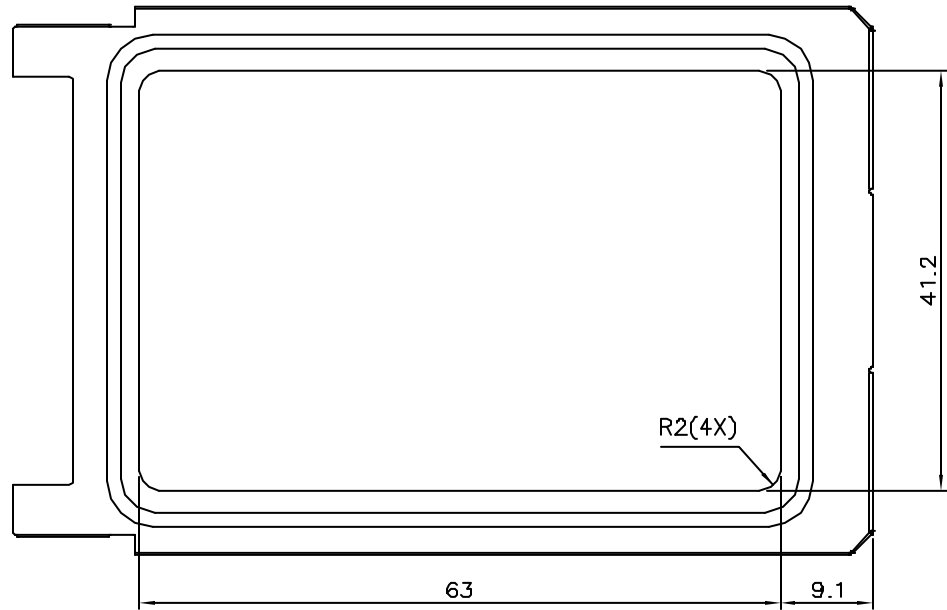
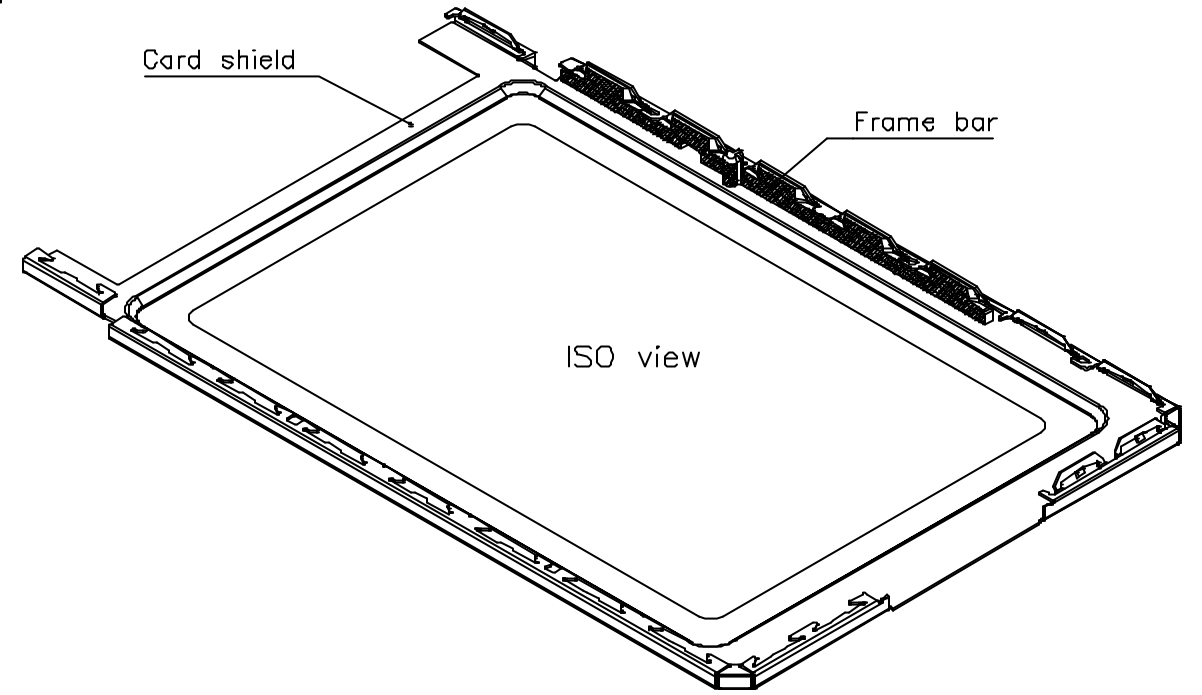
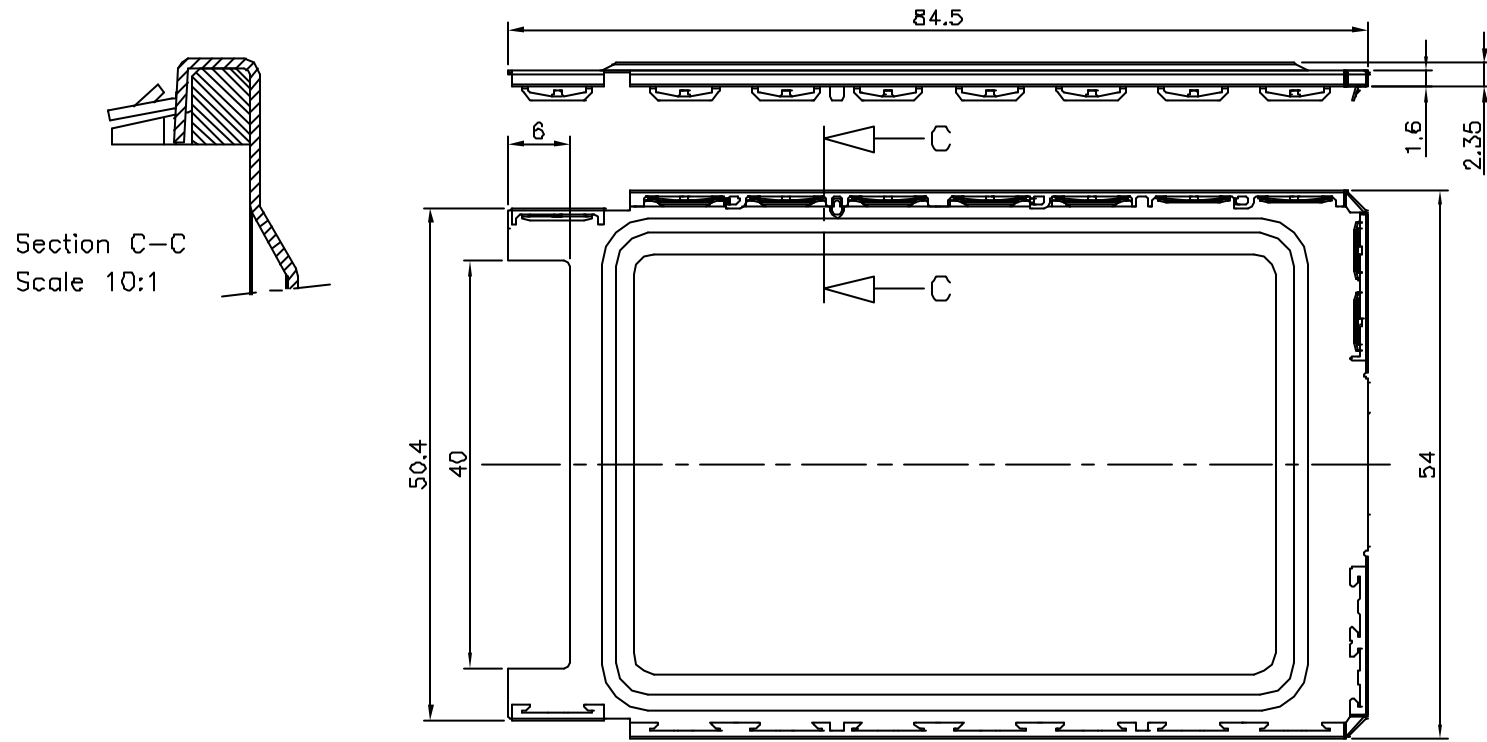
mat'l. code		tolerances unless otherwise specified		CUSTOMER COPY	FCI ELECTRONICS	
lfr	ecm no	dr	date	projection	www.fciannex.com	
A	H80049	GCA	98.02.12	Linear	ROCARD SHIELD	
B	F80195	GCA	98.04.08		TYPE II, CLOSED END	
C	F80323	DLE	98.05.04	angles	product family	code
D	F10514	DLE	01.08.07	dr	PCMCIA	213
E	F05-0254	DLE	05.09.26	engr	size	dwg no
F	F08-0138	DLE	08.02.27	chr	A2	83808
				app	scale	sheet
					2:1	4 of -
sheet index	revision sheet					

All rights reserved. Reproduction or translation in any form or by any means, electronic or mechanical, including photocopying, recording, or by any information storage and retrieval system, is prohibited without the written permission of FCI Electronics, Inc.

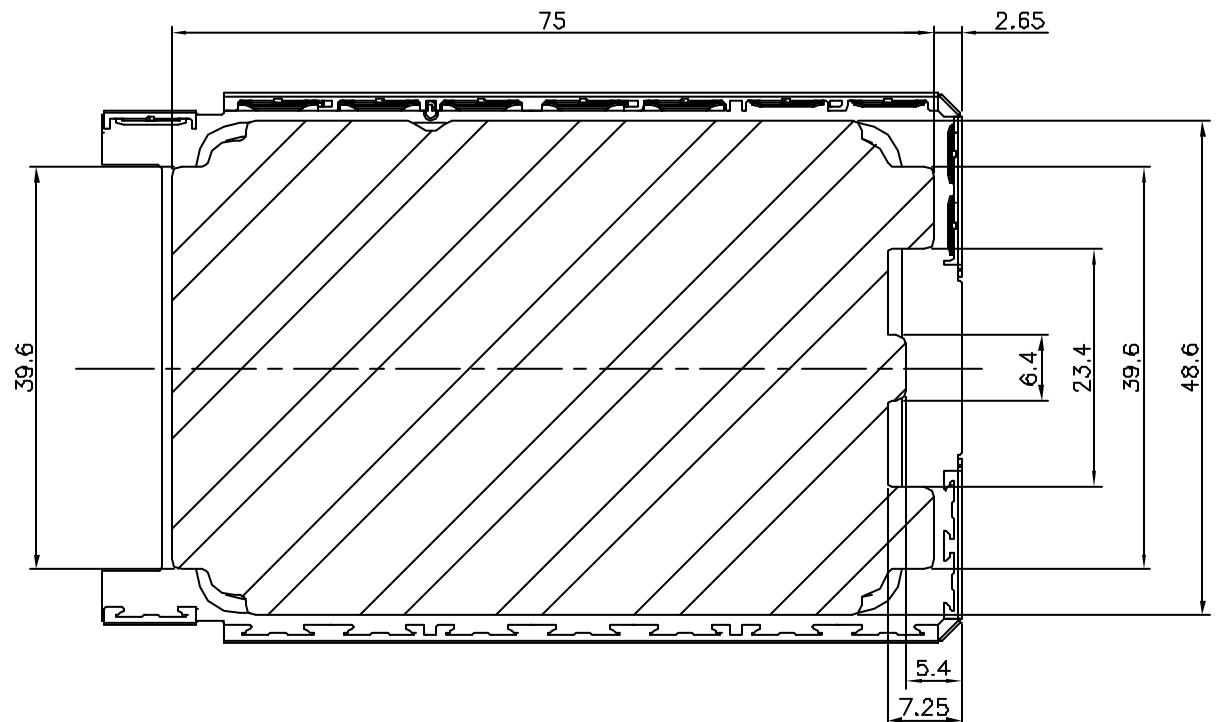


Product number	Insulator	Label recess
83808-21001LF	no	no
83808-21011LF	yes	no
83808-21101LF	no	yes
83808-21111LF	yes	yes

Product number	Packaging
83808-xxxxxLF	1000 Rocard Shield/Box
83808-xxxxxSLF	200 Rocard Shield/Box



Version: Label recess  
(maximum label thickness 0.07 mm)



Version: Insulator  
(thickness 0.07 mm)

mat'l. code		tolerances unless otherwise specified		CUSTOMER COPY	FCI ELECTRONICS	
lfr	ecr no	dr	date	projection	title	
A	H80049	GCA	98.02.12		ROCARD SHIELD	
B	F80195	GCA	98.04.08		TYPE II, 1x1 / D, CARDBUS	
C	F90323	DLE	99.05.04	mm	product family	code
D	F10514	DLE	01.08.07	2:1	PCMCIA	213
E	F05-0254	DLE	05.09.26	scale	size	sheet
F	F08-0138	DLE	08.02.27	2:1	A2	5 of -
sheet index		revision sheet				

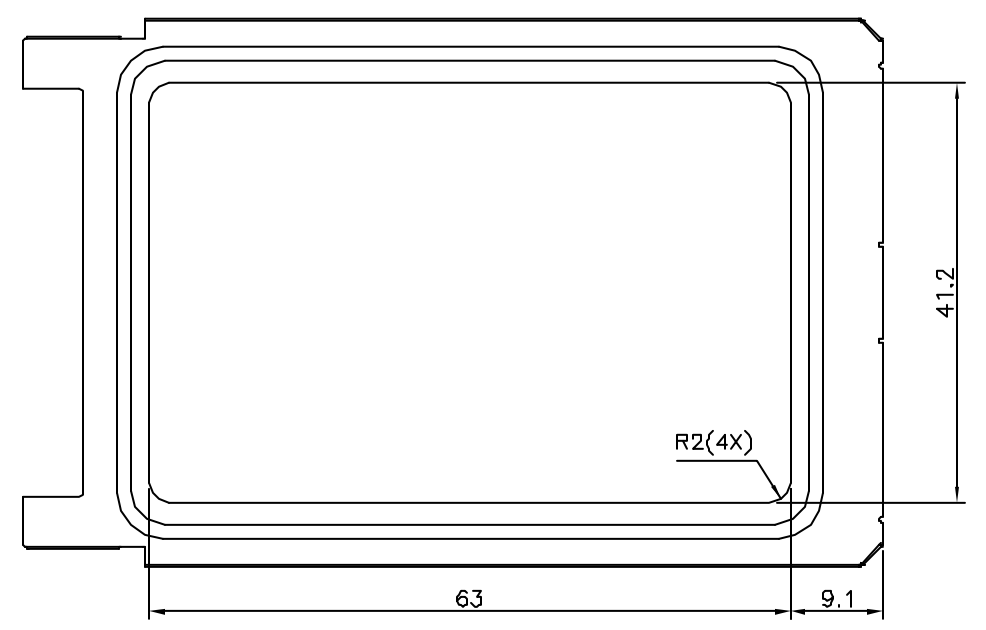
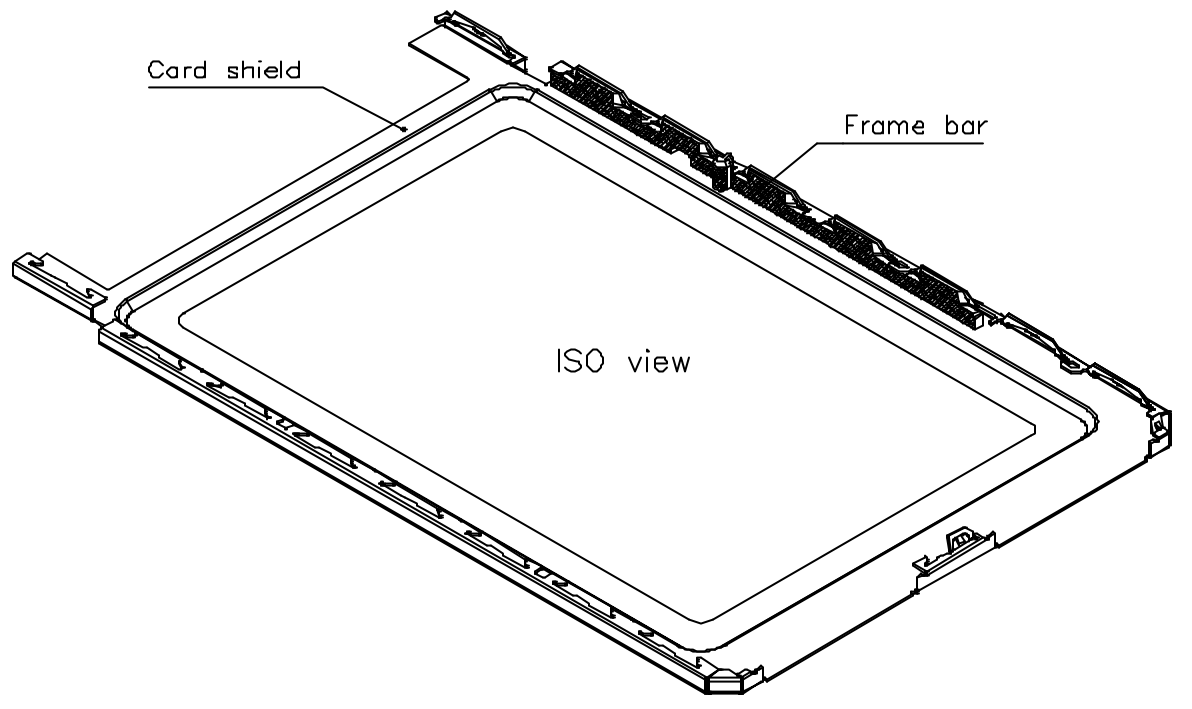
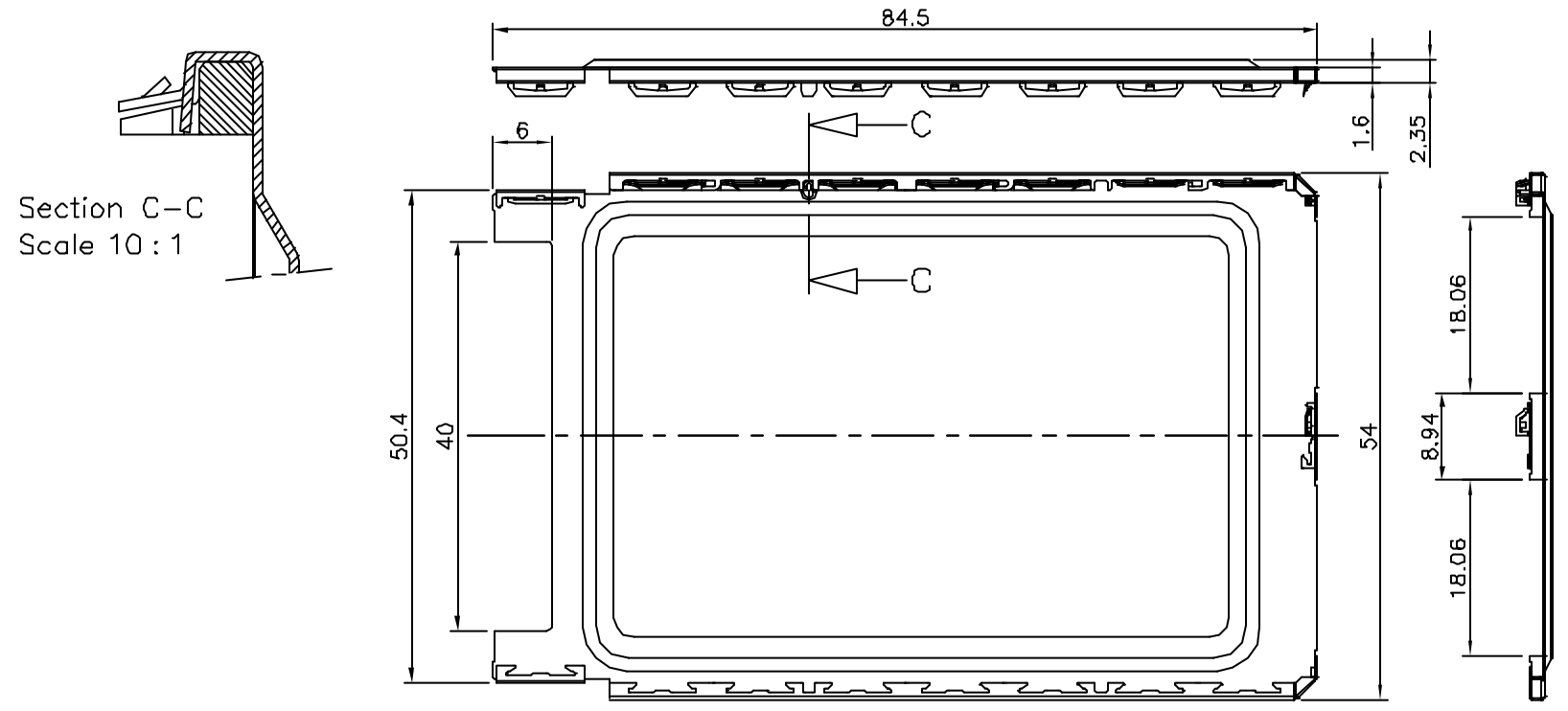
The data contained herein, in whole or in part, is the property of FCI Electronics, Inc. and is not to be distributed, copied, or used in any manner without the written consent of FCI Electronics, Inc.



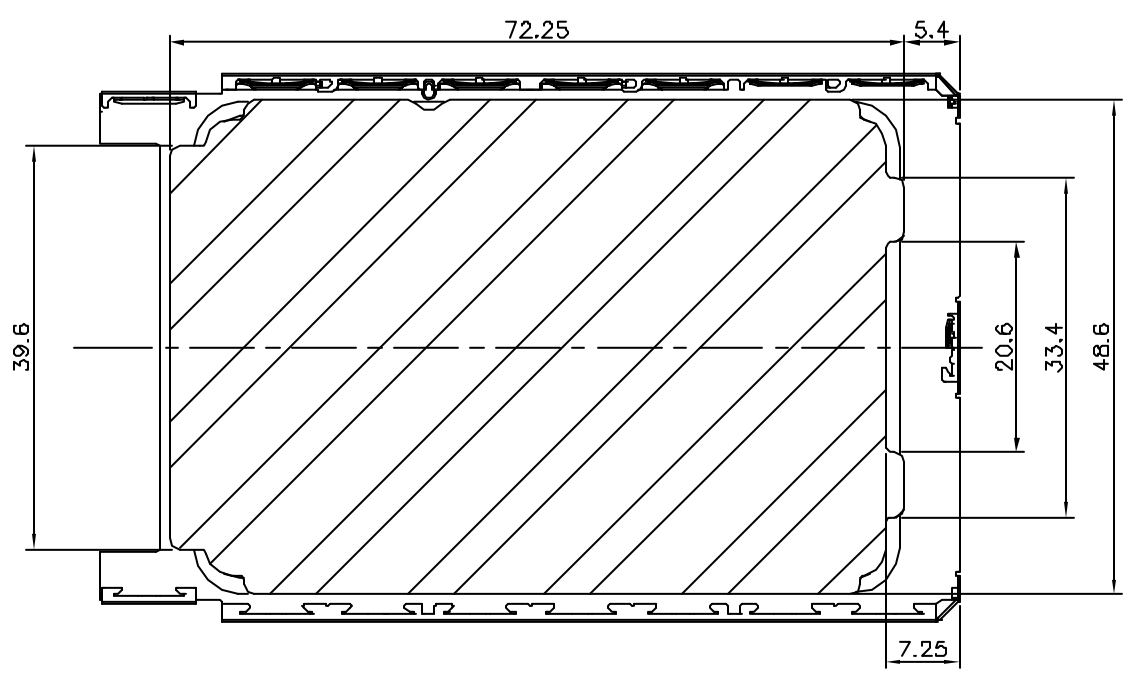
All rights reserved. Reproduction or use in any manner is prohibited without the written consent of FCI Electronics, Inc.

Product number	Insulator	Label recess
83808-22001LF	no	no
83808-22011LF	yes	no
83808-22101LF	no	yes
83808-22111LF	yes	yes

Product number	Packaging
83808-xxxxxLF	1000 Rocard Shield/Box
83808-xxxxxSLF	200 Rocard Shield/Box



Version: Label recess  
(maximum label thickness 0.07 mm)



Version: Insulator  
(thickness 0.07 mm)

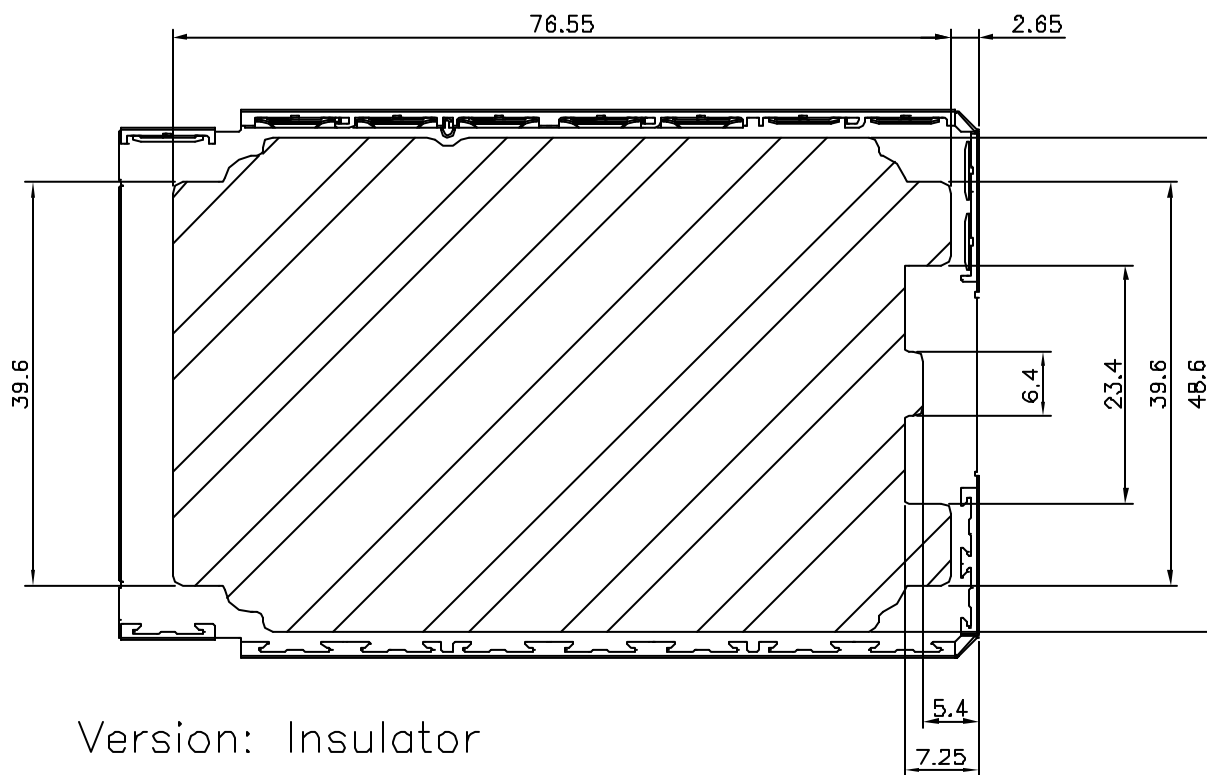
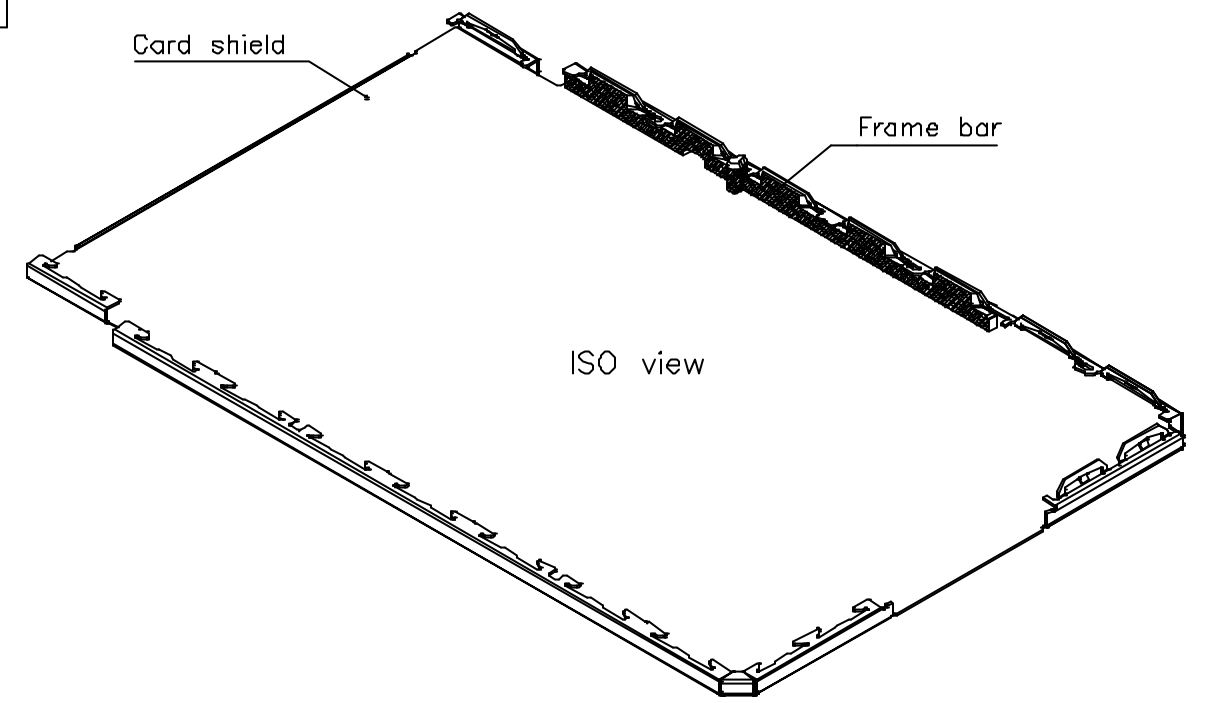
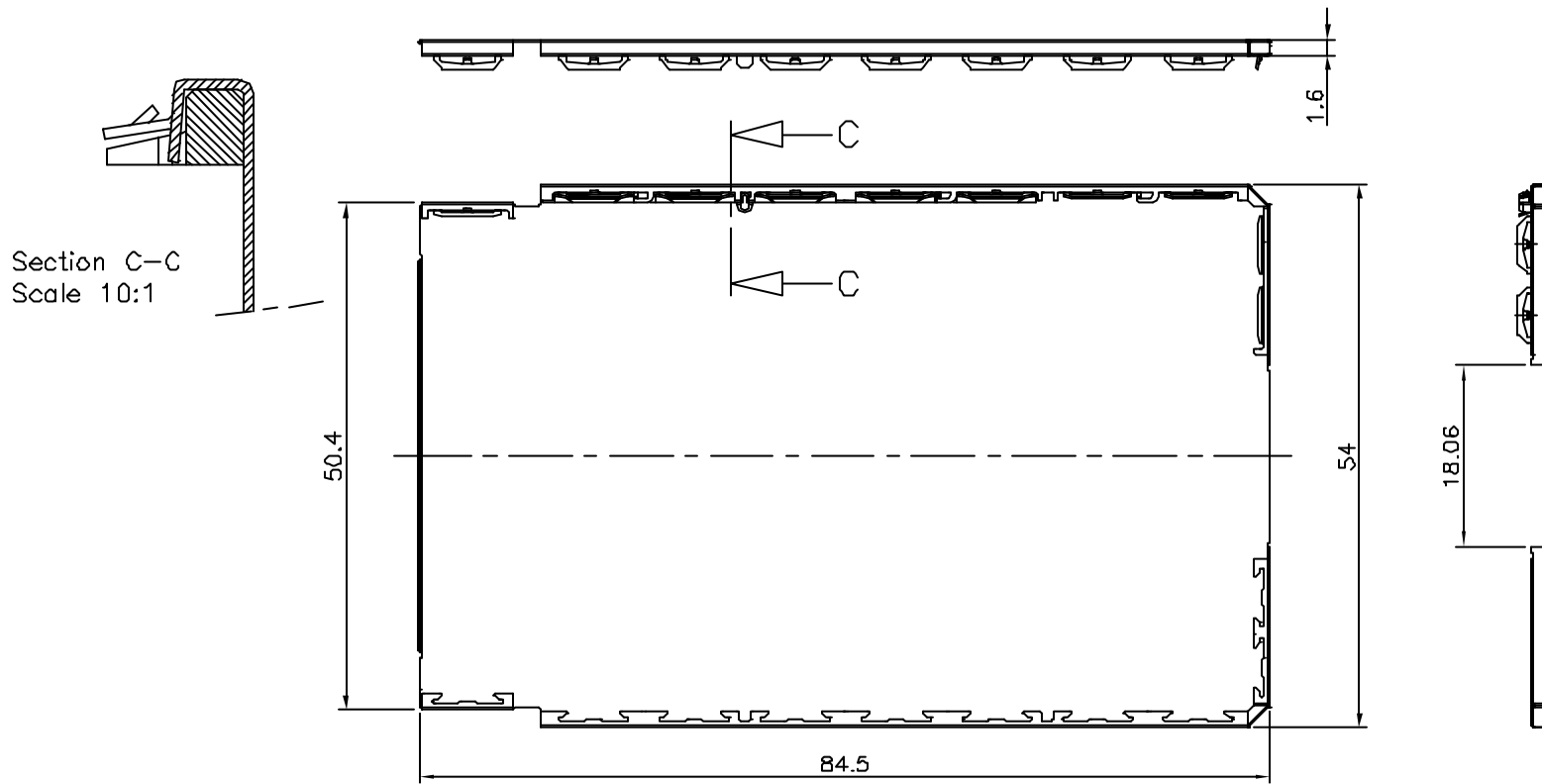
mat'l. code		tolerances unless otherwise specified		CUSTOMER COPY	FCI ELECTRONICS	
lfr	ecn no	dr	date	projection	title	
A	H80049	GCA	98.02.12	mm	ROCARD SHIELD	
B	F80195	GCA	98.04.08		TYPE II, 2x1/0, CARBUS	
C	F80323	DLE	99.05.04	scale	product family	code
D	F10514	DLE	01.08.07	2:1	PCMCIA	213
E	F05-0254	DLE	05.09.26		83808	sheet 6 of -
F	F08-0138	DLE	08.02.27			
sheet index	revision sheet					

All rights reserved. Reproduction or use in any form is prohibited without the written permission of FCI Electronics, Inc. FCI Electronics, Inc. 10000 FCI Drive, Dallas, TX 75243, U.S.A.



Product number	Insulator
83808-11000LF	no
83808-11010LF	yes

Product number	Packaging
83808-xxxxxLF	1000 Rocard Shield/Box
83808-xxxxxSLF	200 Rocard Shield/Box



Version: Insulator  
(thickness 0.07 mm)

The data contained herein, including all dimensions, is the property of FCI. It is to be used for the specific application and for the specific quantity only. It is not to be used for other applications without the written consent of FCI. FCI reserves the right to change the data without notice.

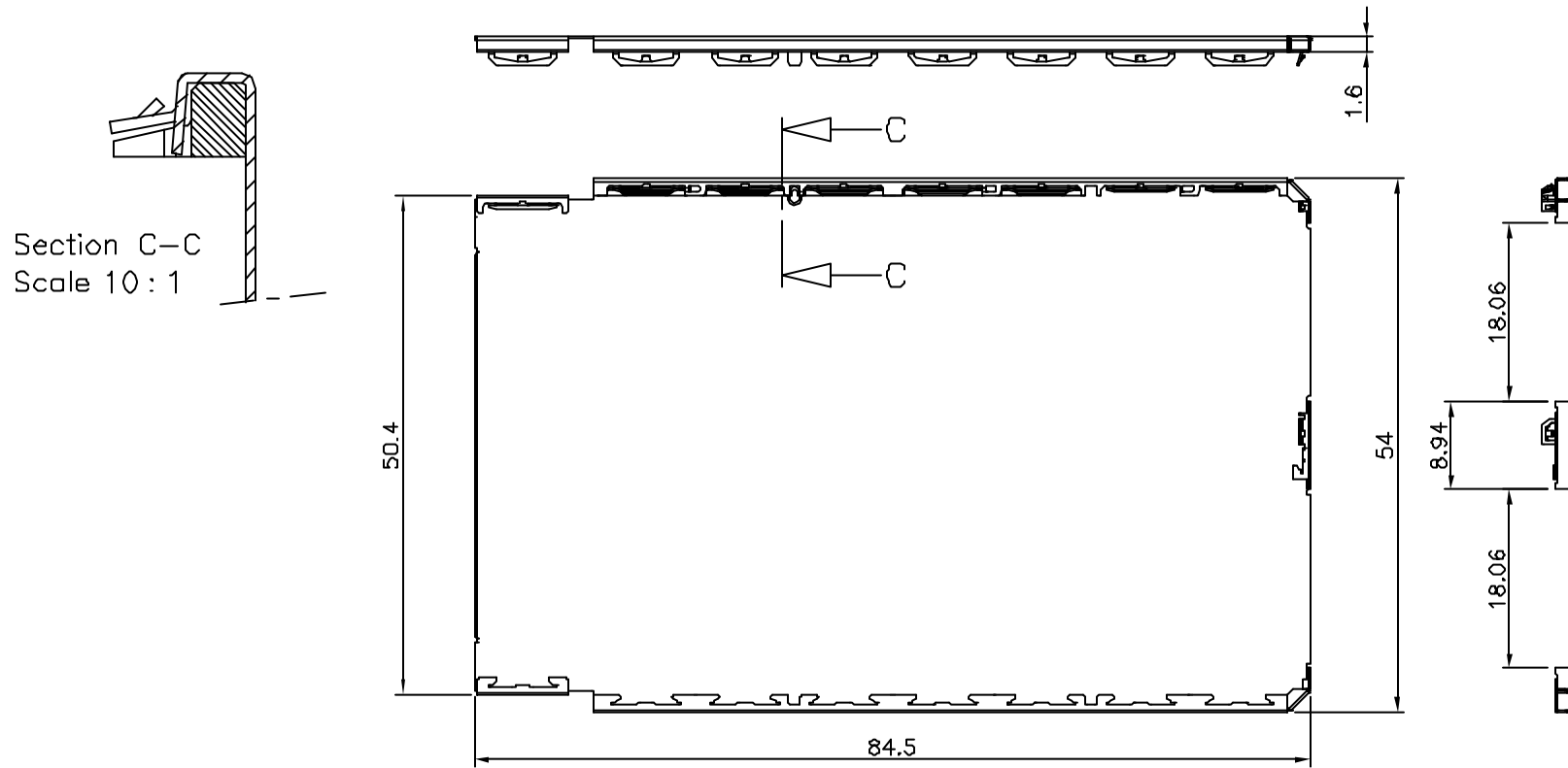


All data is the property of FCI. It is to be used for the specific application and for the specific quantity only. It is not to be used for other applications without the written consent of FCI. FCI reserves the right to change the data without notice.

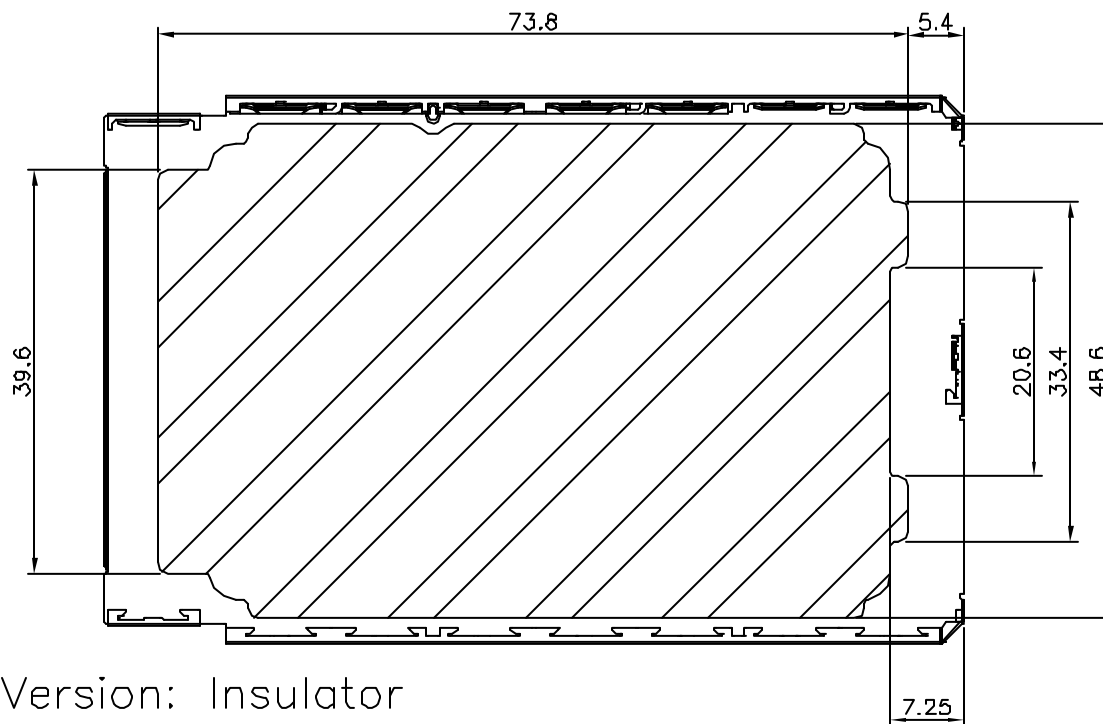
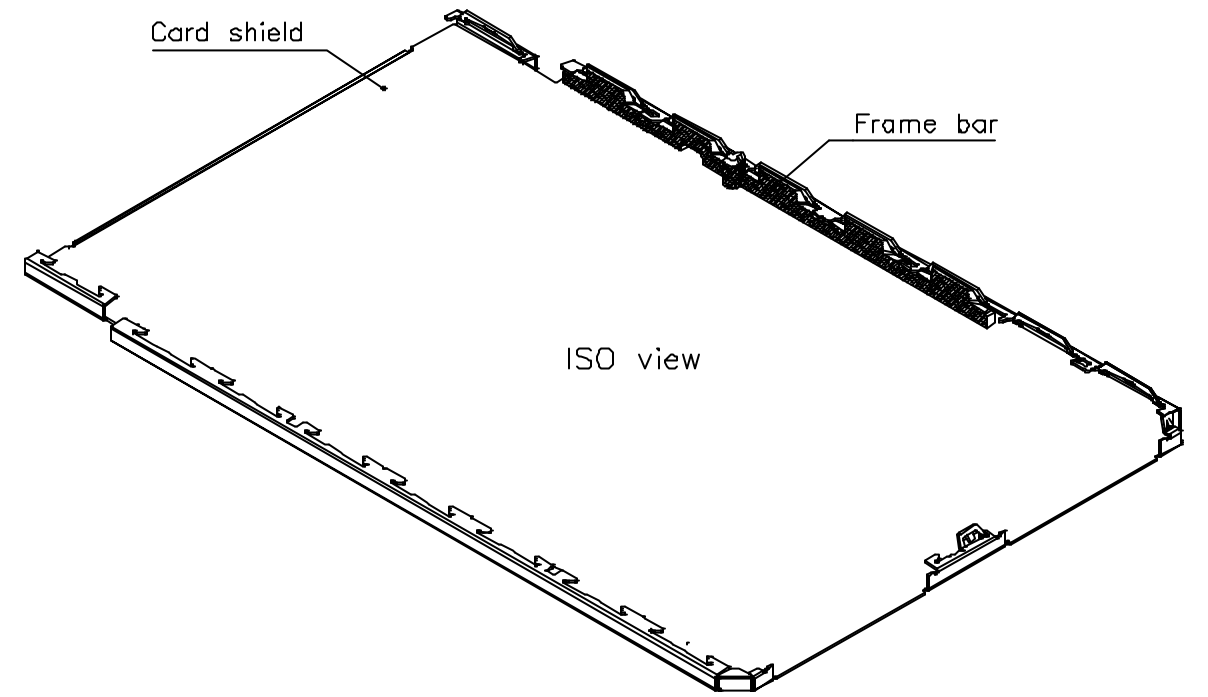
mat'l code		tolerances unless otherwise specified		CUSTOMER COPY		FCI ELECTRONICS www.fcianet.com	
lfr	ecr no	dr	date	projection	title		
A	FB0195	GCA	98.04.08	Linear	ROCARD SHIELD		
B	F90323	DLE	99.05.04		TYPE I, 1x1/0		
C	F10514	DLE	01.09.07	angles	product family	PCMCIA	code
D	F05-0254	DLE	05.08.28	dr	H VEREUKEN	98.02.12	213
E	F08-0138	DLE	06.02.27	engr	F HAUTIER	99.05.04	sheet
				chr	D LEGRAND	99.05.04	7 of -
				app	F HAUTIER	99.05.04	
sheet index	revision sheet			scale			
				2:1			

Product number	Insulator
83808-12000LF	no
83808-12010LF	yes

Product number	Packaging
83808-xxxxxLF	1000 Rocard Shield/Box
83808-xxxxxLFS	200 Rocard Shield/Box



Section C-C  
Scale 10:1



Version: Insulator  
(thickness 0.07 mm)

The data contained herein, regardless of presentation, is the property of FCI. It is to be used only for the specific application and for the specific quantity and conditions stated herein. FCI reserves the right to change specifications without notice.



All other rights reserved. Reproduction or use in any other form without the written permission of FCI is prohibited. FCI, the FCI logo, and the Rocard Shield logo are trademarks of FCI.

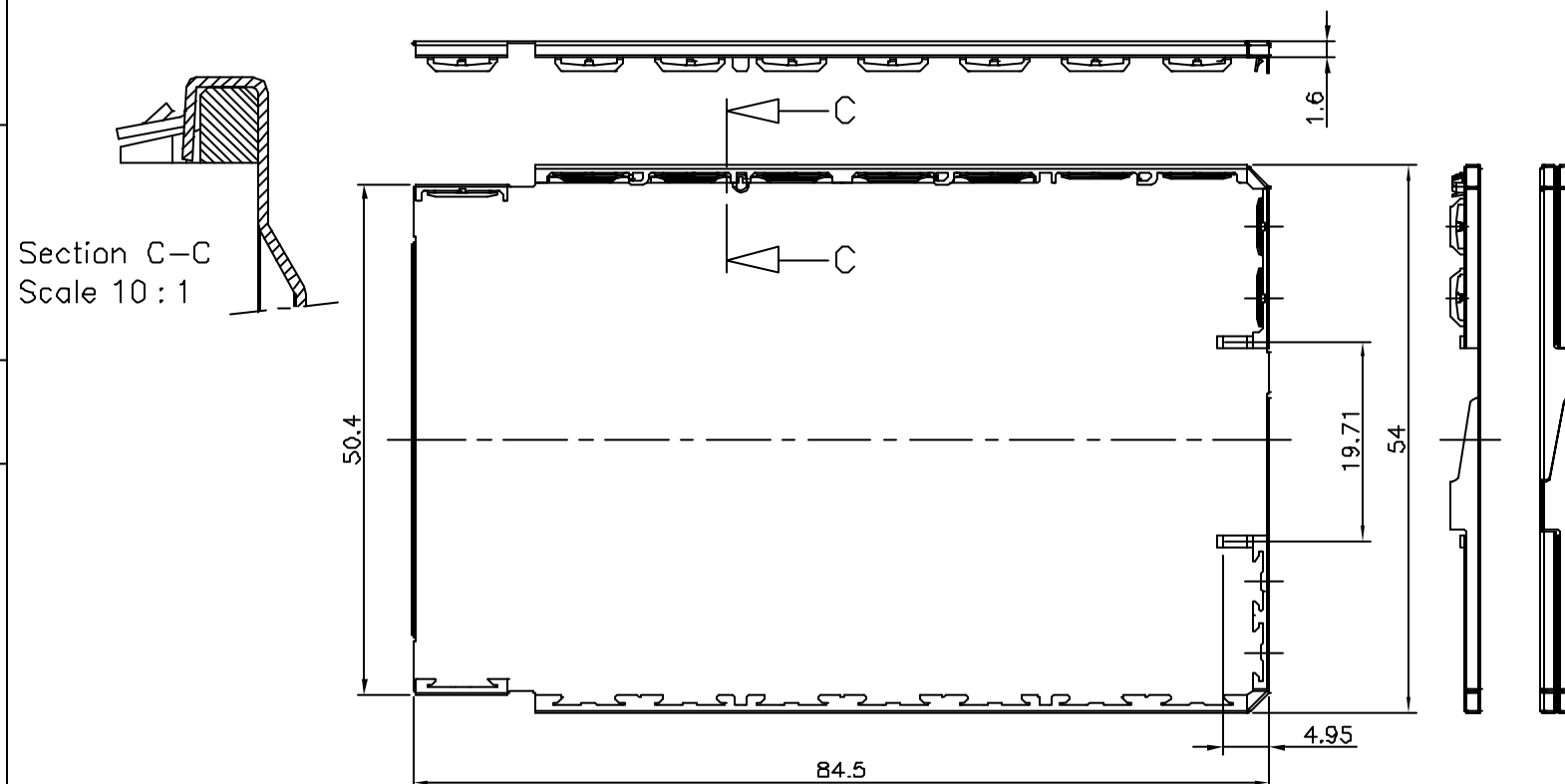
mat'l. code		tolerances unless otherwise specified		CUSTOMER COPY		<b>ELECTRONICS</b> www.fcianet.com	
lfr	ecr	no	dr	date			
A	FB0195	GCA		98.04.08	Linear		
B	F90323	DLE		99.05.04			
C	F10514	DLE		01.09.07	angles		
D	F05-0254	DLE		05.08.28	dr	H VEREJIKEN	98.02.12
E	F08-0138	DLE		06.02.27	engr	F HAUTIER	99.05.04
					chr	D LEGRAND	99.05.04
					app	F HAUTIER	99.05.04
sheet index	revision sheet						

projection		product family	PCMCIA	code	213
size	A2	dwg no	83808	sheet	8 of -
scale	2:1				

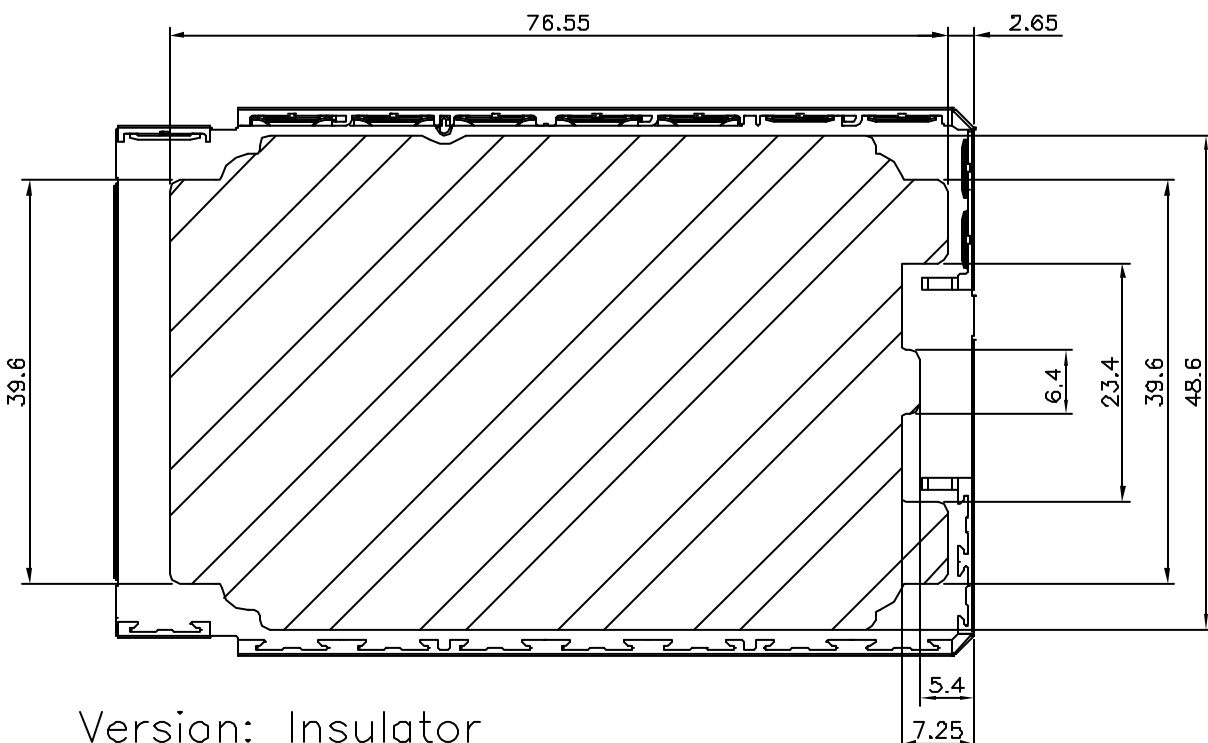
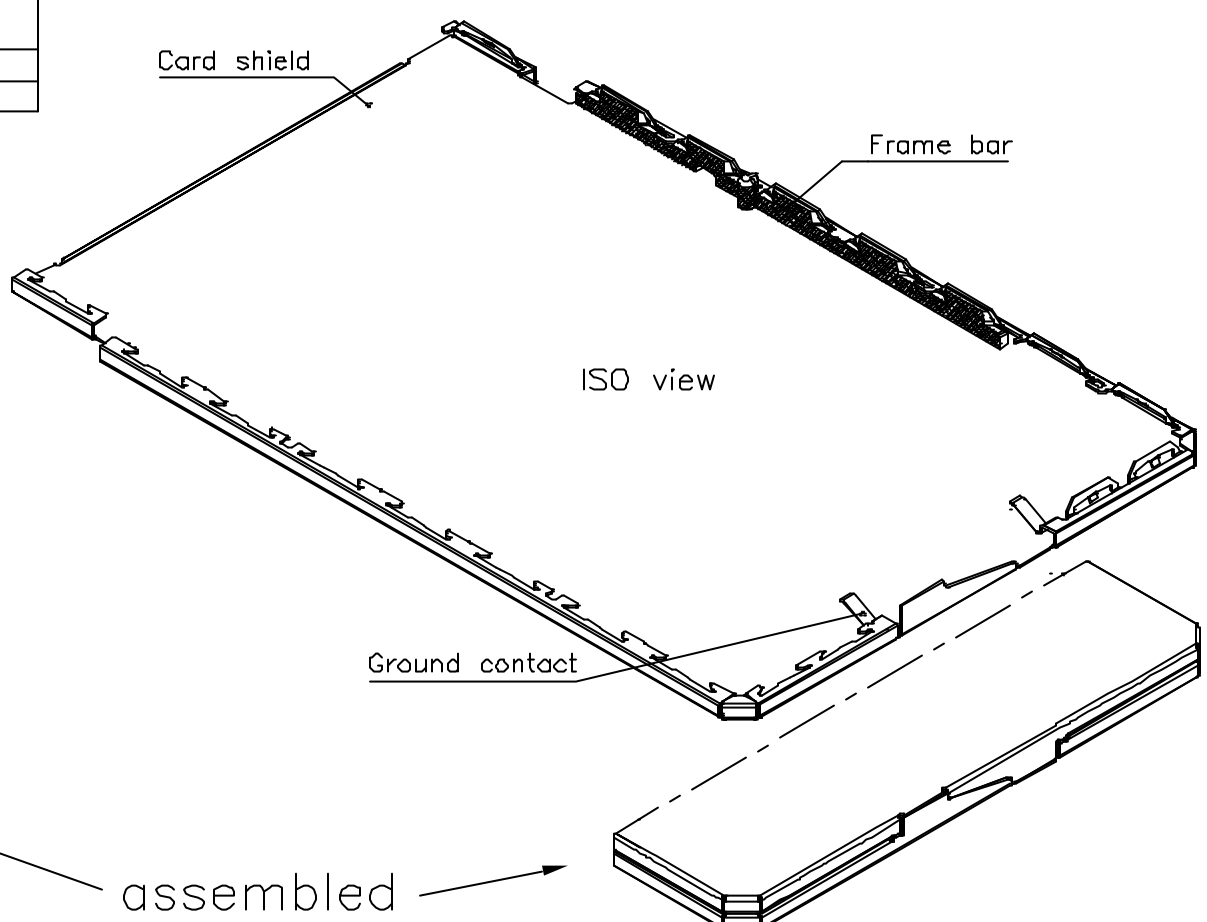


Product number	Insulator
83808-10000LF	no
83808-10010LF	yes

Product number	Packaging
83808-xxxxxLF	1000 Rocard Shield/Box
83808-xxxxxSLF	200 Rocard Shield/Box



Section C-C  
Scale 10:1



Version: Insulator  
(thickness 0.07 mm)

mat'l. code		tolerances unless otherwise specified		CUSTOMER COPY	FCI ELECTRONICS www.fciannex.com		
lfr	ecr no	dr	date	projection	title		
A	F80185	GCA	98.04.08		ROCARD SHIELD		
B	F90323	DLE	99.05.04		TYPE I, CLOSED END		
C	F10514	DLE	01.09.07	mm	product family	code	
D	F05-0254	DLE	05.08.28	scale	PCMCIA	213	
E	F08-0138	DLE	06.02.27		2:1	size/dwg no	sheet
						A2	83808
sheet index	revision sheet						

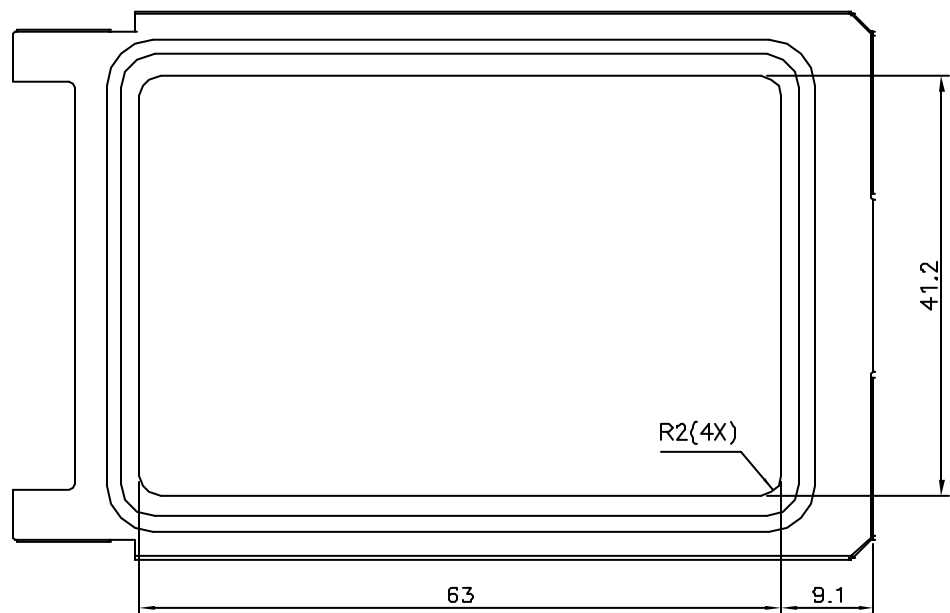
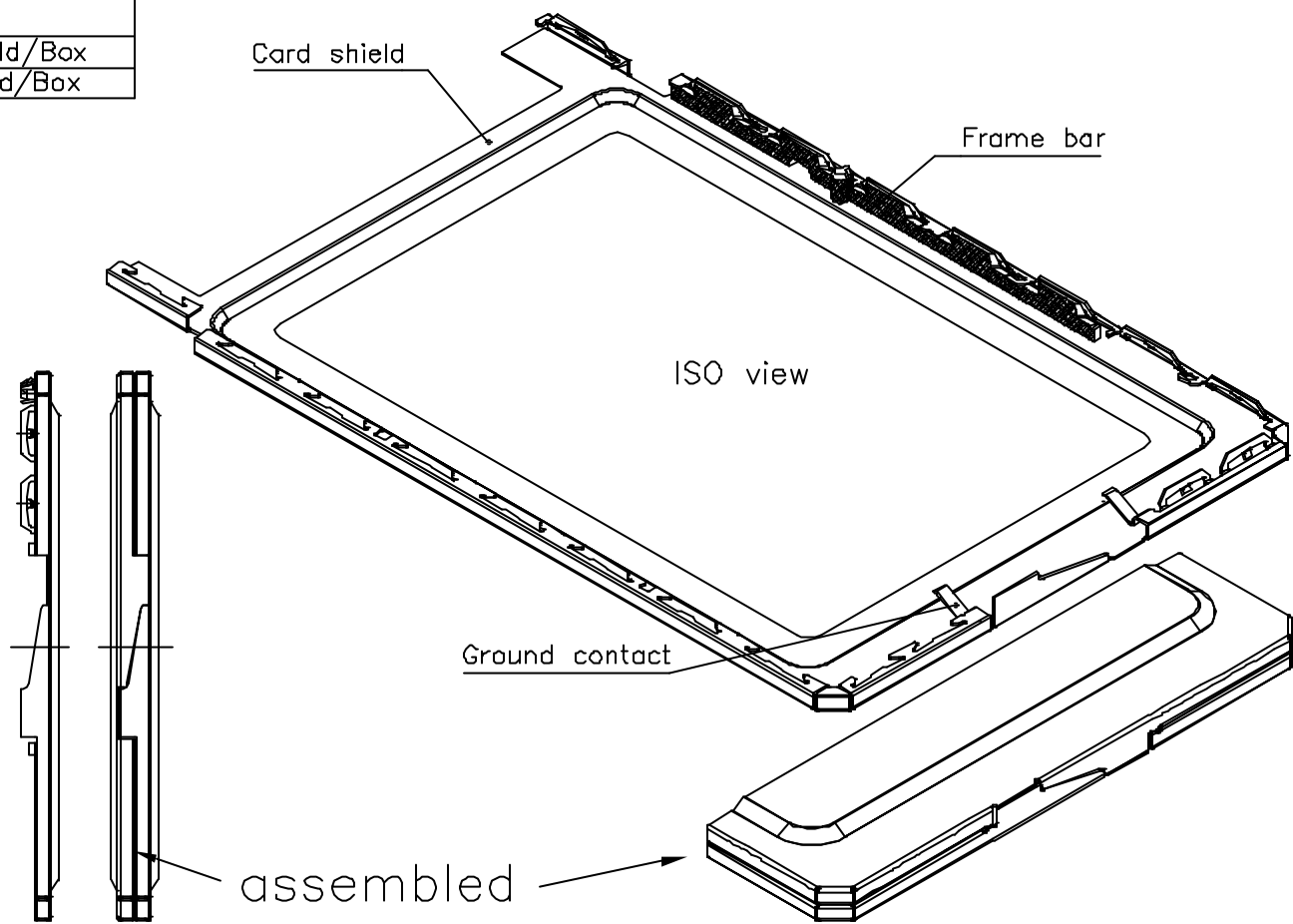
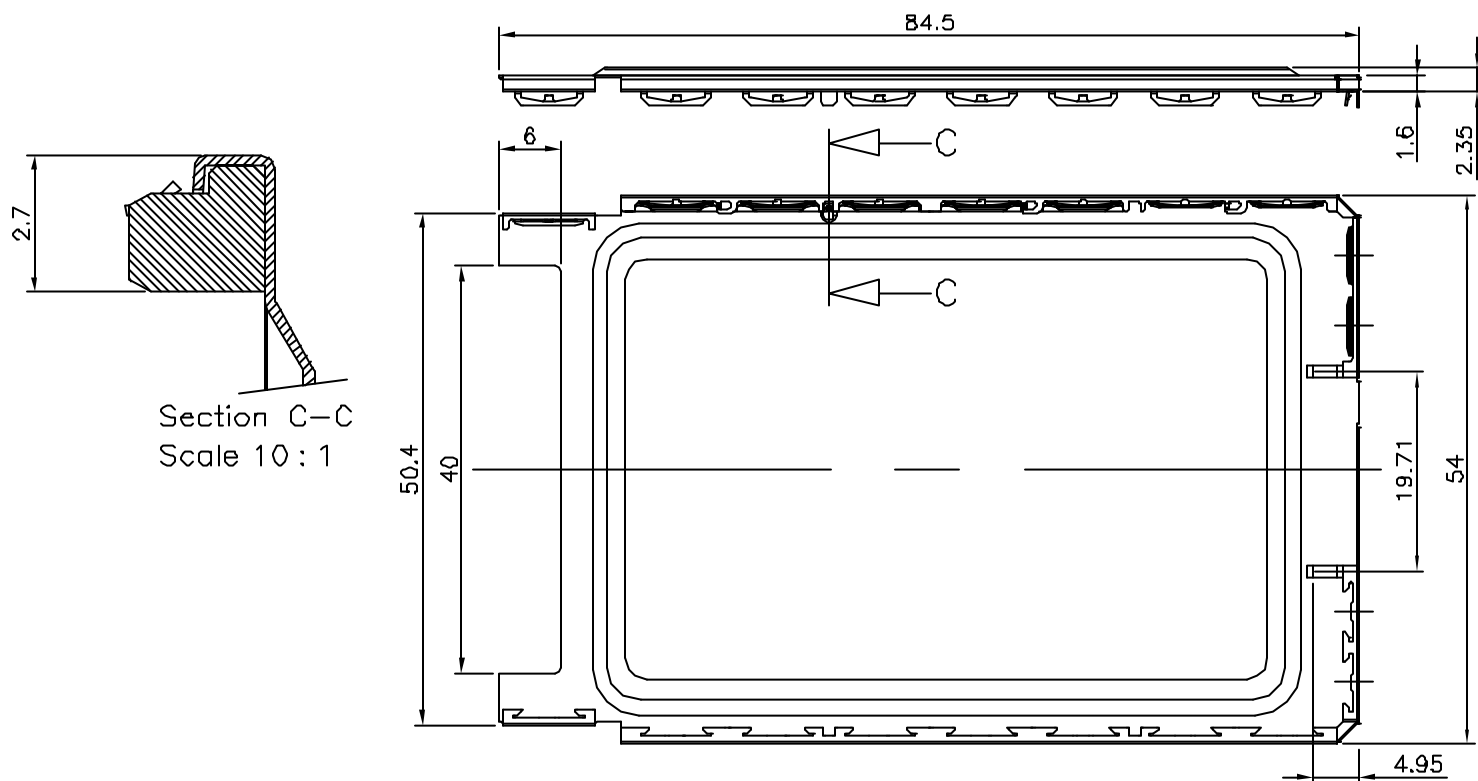
The data, information, services, or materials are provided as is without warranty of any kind, express or implied, including but not limited to the accuracy, completeness, or suitability for any purpose. The user assumes all liability for any damage or loss resulting from the use of the data, information, services, or materials.



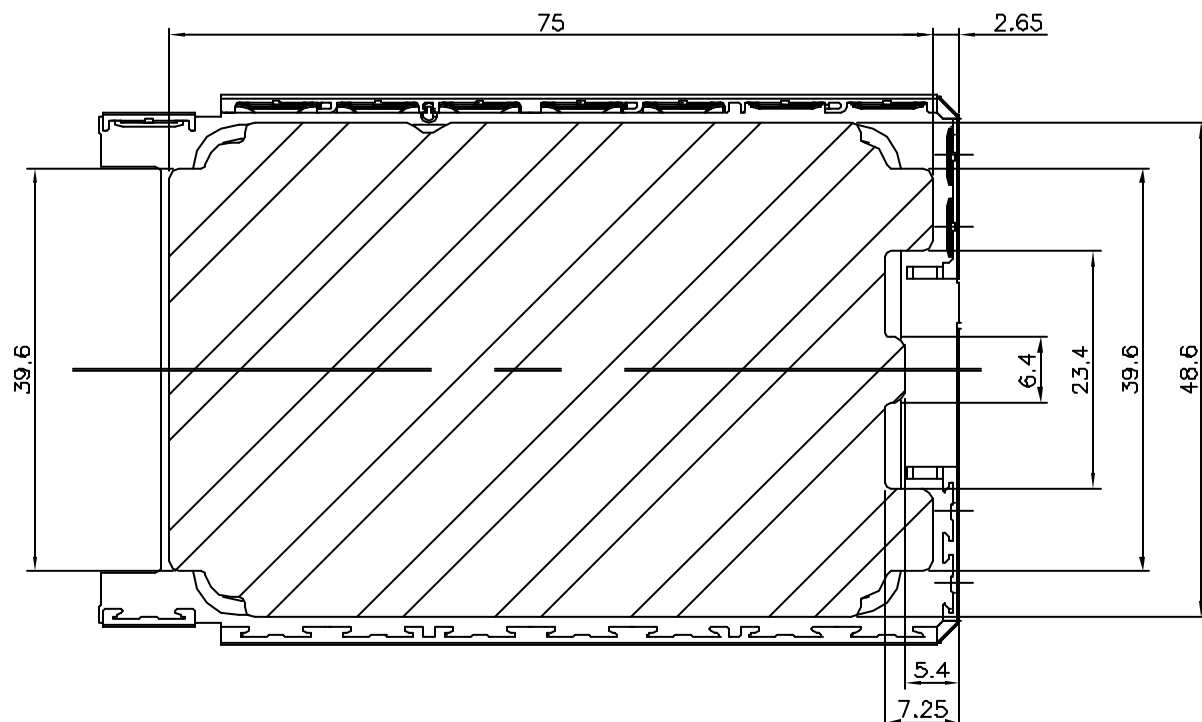
All rights reserved. Reproduction or transmission in any form or by any means, electronic or mechanical, including photocopying, recording, or by any information storage and retrieval system, is prohibited without the prior written permission of FCI Electronics, Inc.

Product number	Insulator	Label recess
83808-20001LF	no	no
83808-20011LF	yes	no
83808-20101LF	no	yes
83808-20111LF	yes	yes

Product number	Packaging
83808-xxxxxLF	1000 Rocard Shield/Box
83808-xxxxxSLF	200 Rocard Shield/Box



Version: Label recess  
(maximum label thickness 0.07 mm)



Version: Insulator  
(thickness 0.07 mm)

mat'l. code		tolerances unless otherwise specified		CUSTOMER COPY		FCI ELECTRONICS	
litr	ecm no	dr	date	projection	title	product family	code
A	F90B55	DLE	99.10.25	Linear	ROCARD SHIELD	PCMCIA	213
B	F00106	LMU	00.01.19		TYPE II CLOSED CARDBUS		sheet
C	F10514	DLE	01.09.07	angles			10 of -
D	F05-0254	DLE	05.09.28	dr	D LEGRAND	99.10.25	
E	F06-0138	DLE	06.02.27	engr	F HAUTIER	99.10.25	
				chr	KESCHBACHER	99.10.25	
				app	F HAUTIER	99.10.25	
sheet index	revision sheet			scale	2:1	A2	83808

The data contained herein is the property of FCI Electronics, Inc. and is not to be distributed, copied, or reproduced in any form without the written permission of FCI Electronics, Inc.



All other rights reserved. Reproduction or use in any form without the written permission of FCI Electronics, Inc. is prohibited.