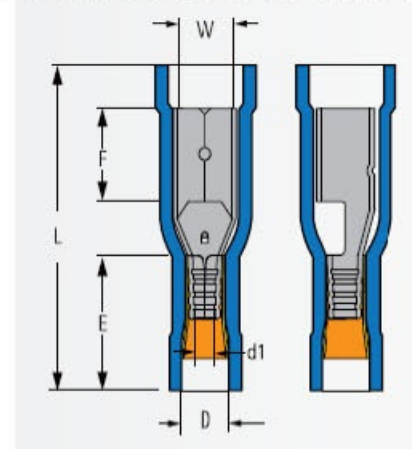


VINYL-FULLY INSULATED FEMALE BULLET TERMINALS



Material: Brass strip
Copper Sleeve: Copper tubular
Insulation: PVC
Finished: Tin-Plated

Temperature Rating: -10°C-75°C
Features: Low insertion force & high endurance
The copper sleeves ensure the terminal and cable fully connected
Flared barrel entry for easy wire insertion
Fully insulated structure design provide the good protection when using it

| No. | Customer Code | Application for cable size | | Stripped Length mm | Dimension (mm) | | | | | | | PCS /PACK | color |
|-----|---------------|----------------------------|-------|-----------------------|----------------|-----|------|------|-----|-----|-----|-----------|--------|
| | | mm ² | AWG | | W | F | L | E | d1 | D | T | | |
| 1 | CN11403 | 0.5-1.5 | 22-16 | 6.5-7.0 | 3.9 | 7.3 | 25.5 | 10.5 | 1.7 | 3.8 | 0.4 | 100 | Red |
| 2 | CN11404 | 1.5-2.5 | 16-14 | 6.5-7.0 | 4.9 | 8.5 | 25.5 | 10.5 | 2.3 | 4.7 | 0.4 | 100 | Blue |
| 3 | CN11405 | 4-6 | 12-10 | 7.0-8.0 | 4.9 | 8.5 | 28 | 13.7 | 3.4 | 6.2 | 0.4 | 100 | Yellow |