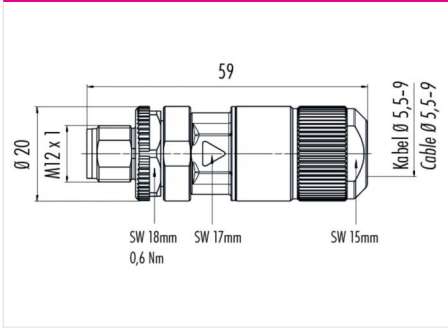


Product description	Contacts: 8, cable outlet: 5.5 - 9 mm, cable plug connector with X-coding, shieldable, CAT 6A, insulation displacement connection
Area	M12-D, M12-X Series 825 X-coding
Order number	99 3787 810 08

Illustration



Scale drawing



Contact arrangement

	X	Y
1	1,40	-2,80
2	2,80	-1,40
3	2,80	1,40
4	1,40	2,80
5	-1,40	2,80
6	-2,80	1,40
7	-2,80	-1,40
8	-1,40	-2,80

- 1 weiß-orange/white-orange
- 2 orange/orange
- 3 weiß-grün/white-green
- 4 grün/green
- 5 weiß-braun/white-brown
- 6 braun/brown
- 7 weiß-blau/white-blue
- 8 blau/blue

Schirm auf Gehäuse
shield on housing

You can find the component part drawing and assembly instructions on the next page.

Technical data

General values

Connector design	cable connector
Connector locking system	bolted
Termination	cutting clamps
Wire gauge (AWG)	27-22
Cable outlet	5,5 - 9,0 mm
Upper limit temperature	85 °C
Lower limit temperature	-40 °C

Electrical values

Rated voltage	50V AC, 60V DC V
Rated impulse voltage	800 V
Pollution degree	3
Overvoltage category	II
Insulating material group	II
Rated current (40 °C)	0,5 A
Volume resistivity	≤ 10 mΩ
EMC compliance	shieldable
Degree of protection	IP67
Mechanical operation	> 100 Mating cycles

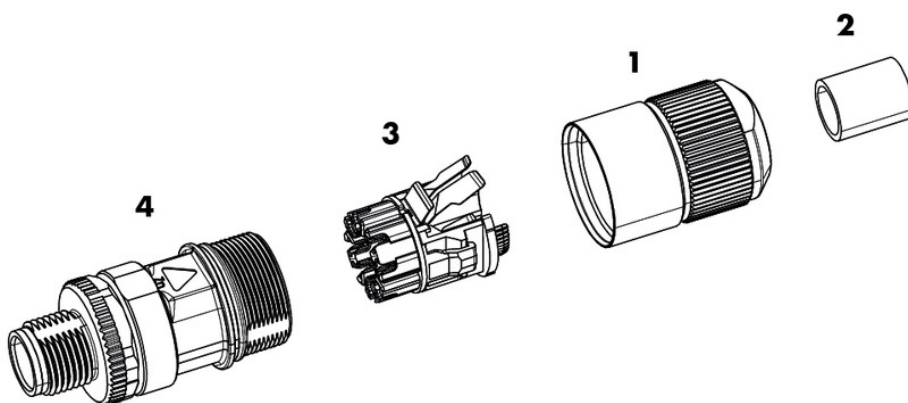
Material

Contact material	CuSn (bronze)
Contact plating	Au (gold)
Contact body material	PA

Product description	Contacts: 8, cable outlet: 5.5 - 9 mm, cable plug connector with X-coding, shieldable, CAT 6A, insulation displacement connection
Area	M12-D, M12-X Series 825 X-coding
Order number	99 3787 810 08

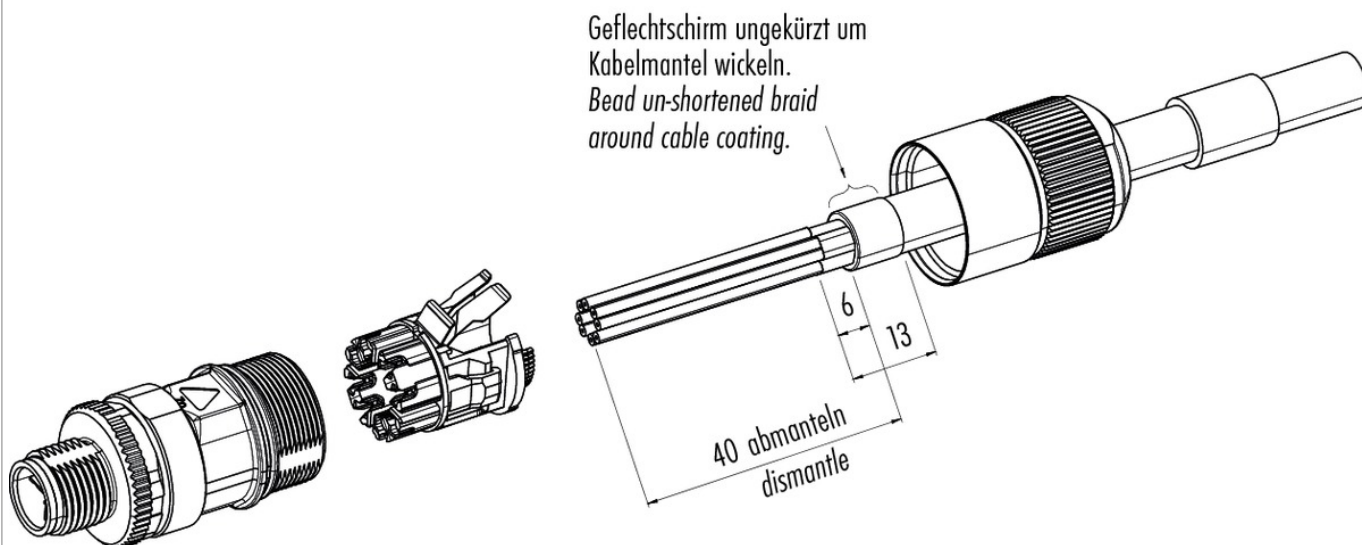
Component part drawing

1. Vormontierte Druckschraube.
2. Zusatzdichtung für Kabel-Ø 5,5-7,5 mm.
3. Adervorsortierung.
4. Steckereinsatz.



1. Premounted pressing screw.
2. Additional sealing for cable-Ø 5.5-7.5 mm.
3. Wire manager.
4. Male insert.

Assembly instructions / Panel cut-out



Product description	Contacts: 8, cable outlet: 5.5 - 9 mm, cable plug connector with X-coding, shieldable, CAT 6A, insulation displacement connection
Area	M12-D, M12-X Series 825 X-coding
Order number	99 3787 810 08

Sicherheitshinweise

The connectors are designed for use in plant, control system and electrical equipment. The end user is responsible for checking whether the connectors are suitable for use in other applications.

Connectors used in electrical circuits containing hazardous life parts must only be assembled and used by or under the supervision of persons with the requisite electrotechnical training, taking the applicable regulations and standards into account.

Connectors with degree of protection IP 67 and IP 68 are not suitable for use under water. When used outdoors, the connectors must be separately protected against corrosion. For further information about IP degrees of protection refer to 'Technical support' in the Download Centre.

To lock the cable connector to the equipment connector, the threaded ring is tightened until it is 'finger-tight' (approx. 50 cNm).