

Control cabinet feed-through - VS-BH-M12FSX-10G-RJ45/90 - 1404548

Please be informed that the data shown in this PDF Document is generated from our Online Catalog. Please find the complete data in the user's documentation. Our General Terms of Use for Downloads are valid (<http://phoenixcontact.com/download>)




Control cabinet feed-through, M12, 8-pos., X-coded to RJ45 socket, socket input 90°, IP65/67

Why buy this product

- Compact design
- 10 Gbps
- IP65/67
- UL



Key Commercial Data

Packing unit	1 STK
GTIN	 4 046356 699419
GTIN	4046356699419
Weight per Piece (excluding packing)	36.000 g
Custom tariff number	85366990
Country of origin	Germany
Note	Made to Order (non-returnable)

Technical data

Ambient conditions

Degree of protection	IP65
	IP67
Ambient temperature (operation)	-25 °C ... 85 °C
Ambient temperature (storage/transport)	-25 °C ... 85 °C

General data

Rated current at 40°C	0.5 A
Rated voltage	60 V

Control cabinet feed-through - VS-BH-M12FSX-10G-RJ45/90 - 1404548

Technical data

General data

Number of positions	8
Signal type/category	Ethernet CAT6 _A , 10 Gbps
Rated voltage (III/3)	50 V
Contact material	Copper alloy
Housing material	PA

Standards and Regulations

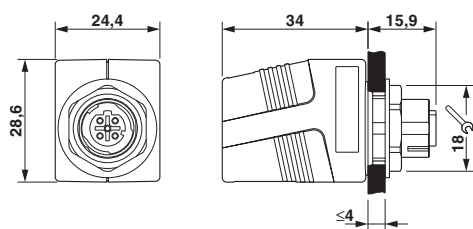
Flammability rating according to UL 94	V0
--	----

Environmental Product Compliance

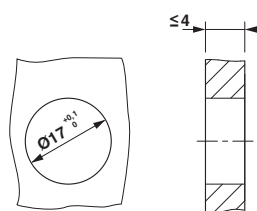
China RoHS	Environmentally Friendly Use Period = 50
	For details about hazardous substances go to tab "Downloads", Category "Manufacturer's declaration"

Drawings

Dimensional drawing

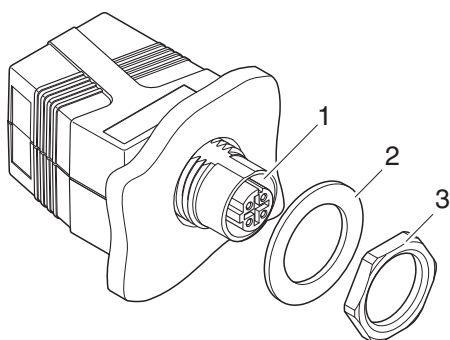


Dimensional drawing

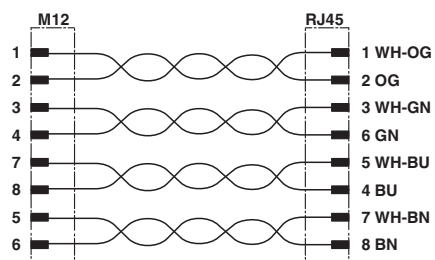


Mounting cutout

Explosion drawing



Circuit diagram



Circuit diagram

Exploded drawing

Control cabinet feed-through - VS-BH-M12FSX-10G-RJ45/90 - 1404548

Classifications

eCl@ss

eCl@ss 4.0	272607xx
eCl@ss 4.1	27260701
eCl@ss 5.0	27260701
eCl@ss 5.1	27260701
eCl@ss 6.0	27279220
eCl@ss 7.0	27440103
eCl@ss 8.0	27440312
eCl@ss 9.0	27440312

ETIM

ETIM 4.0	EC001121
ETIM 5.0	EC002641
ETIM 6.0	EC002641

UNSPSC

UNSPSC 6.01	31261501
UNSPSC 7.0901	31261501
UNSPSC 11	31261501
UNSPSC 12.01	31261501
UNSPSC 13.2	39121419

Approvals


Approvals

Approvals

UL Listed / cUL Listed / EAC / cULus Listed

Ex Approvals

Approval details

UL Listed		http://database.ul.com/cgi-bin/XYV/template/LISEXT/1FRAME/index.htm E335024-20140306
Nominal current IN	0.5 A	
Nominal voltage UN	60 V	

Control cabinet feed-through - VS-BH-M12FSX-10G-RJ45/90 - 1404548

Approvals

cUL Listed		http://database.ul.com/cgi-bin/XYV/template/LISEXT/1FRAME/index.htm E335024-20140306
Nominal current IN		0.5 A
Nominal voltage UN		60 V

EAC		B.01742
-----	--	---------

cULus Listed	
--------------	--