

# MicroZed™ Breakout Carrier Card

The Breakout Carrier Card supports the MicroZed™ Evaluation Kit and System-on-Module (SOM), providing easy access to 100 Programmable Logic (PL) user I/O available from the MicroZed SOM. Two 100-pin MicroHeaders on the carrier card mate with the MicroZed, connecting the Programmable Logic (PL) I/O to two simple 0.1" connector footprints as well as a bread-boarding area. The Breakout Carrier Card generates the necessary power rails for MicroZed, providing 5 V to the MicroZed core and a user selectable bank voltage for the PL I/O and Breakout connectors. The Breakout Carrier Card is the simplest, least expensive way to enable the PL I/Os on the MicroZed SOM.

## FEATURES

### Interfaces

- Two 100-pin board-to-board MicroHeaders
- Two 60-pin (2 x 30) 0.1" footprints
  - Two 2 x 30 female sockets included in the kit
  - May be mounted by the user on either top or bottom side
  - Accesses 100 user I/O, 5 V, Vccio, GND and two control signals

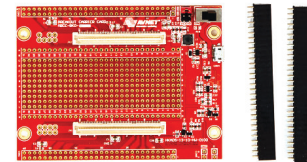
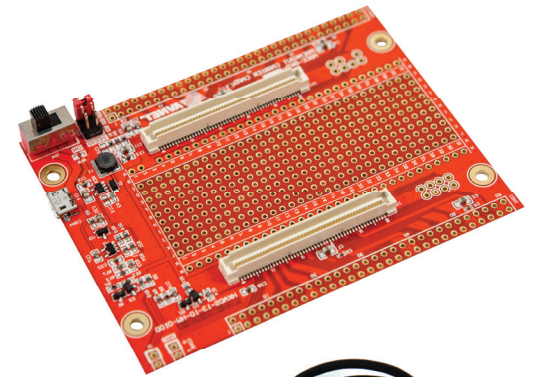
### Power

- Internal
  - Proper sequencing and handshaking as per MicroZed Carrier Card Design Guide
  - 5 V for MicroZed power routed from input power
  - 1.8/2.5/3.3 V @ 1 A Regulator for MicroZed and Breakout VCCio
- Input
  - 5 V @ 2 A input via microUSB connector
- Vbat header footprint for experimenting with Zynq security keys (optional)

## TARGET APPLICATIONS

- Zynq evaluation and prototyping
- Embedded system-on-module (SOM) applications
- Test & measurement
- General I/O Expansion

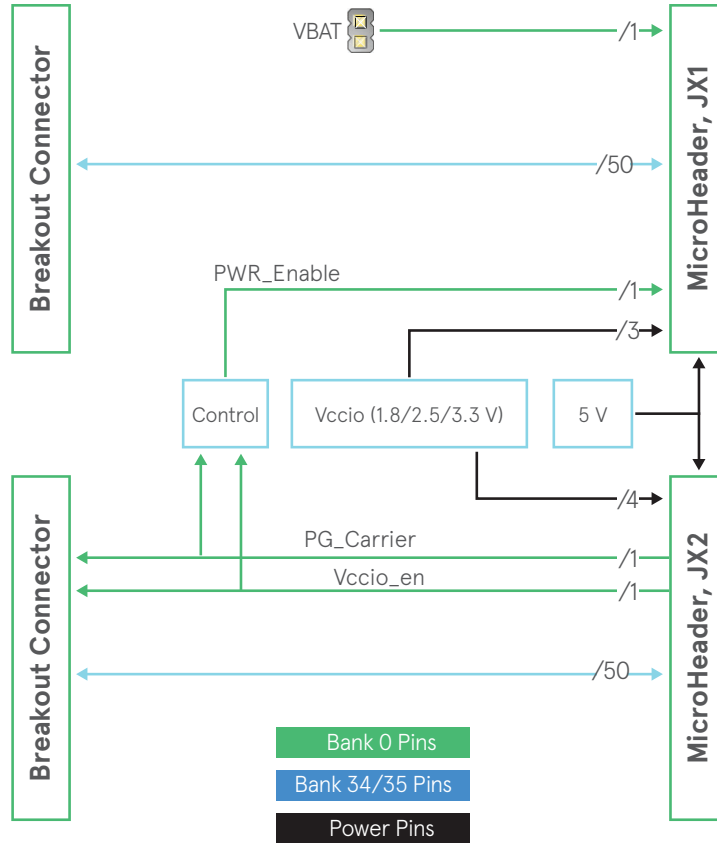
For more information and to purchase the carrier card, visit [www.microzed.org](http://www.microzed.org)



## KIT INCLUDES

- Breakout Carrier Card
- 5 V @ 2 A AC/DC Power Supply with microUSB power cable
- MicroZed mounting hardware
- Two 2 x 30 female sockets
- Quick Start Card

## BLOCK DIAGRAM



## FEATURED MANUFACTURERS



## PARTS

Part Number	Description	Resale
AES-MBCC-BRK-G	MicroZed Breakout Carrier Card	\$59 USD

## RELATED PARTS

Part Number	Description	Resale
AES-Z7MB-7Z010-G	MicroZed Evaluation Kit	\$199 USD

Visit the product website to learn more about our standard and extended temperature MicroZed SOM options.

## CONTACT INFORMATION

**North America**  
 2211 S 47<sup>th</sup> Street  
 Phoenix, Arizona 85034  
 United States of America  
 eval.kits@avnet.com  
 1-800-585-1602

**Europe**  
 Gruber Str. 60c  
 85586 Poing  
 Germany  
 marketing@silica.com  
 +49-8121-77702

**Japan**  
 Yebisu Garden Place Tower, 23F  
 4-20-3 Ebisu, Shibuya-ku  
 Tokyo 150-6023 Japan  
 eval-kits-jp@avnet.com  
 +81-(0)3-5792-8210

**Asia**  
 151 Lorong Chuan  
 #06-03 New Tech Park  
 Singapore 556741  
 XilinxAPAC@avnet.com  
 +65-6580-6000