



**sifam tinsley**  
PRECISION INSTRUMENTATION

# PRECISION INSTRUMENTATION



Multifunction Meters

Transducers & Isolators

Temperature Controllers

Converters & Recorders

Digital Panel Meters

Current Transformers

Analogue Panel Meters

Shunts

Digital Multimeters

Clamp Meters

Insulation Testers

## MOD-CENTRE STOCK PROFILE

Powered by technology  
...driven by service



# Introduction

An established brand name for over 75 years; Sifam Tinsley Instrumentation has an unrivaled pedigree in the industry, our dedicated research and development facility ensures that the latest technology is utilised in our electronic products whilst our traditional analogue range continues to perform through the test of time. Our UK facility completes the picture by enabling the service our customers expect.



## Our Vision

To remain in harmony with our customers and continue to meet their ever changing and more demanding requirements.

## Our Mission

Sifam Tinsley Instrumentation is proud to offer an unrivalled, dedicated, custom service to our customers by supplying the exact product requirement, on time, every time, from our local UK facility.

## Index

Description	Series	Page
Multifunction Meters	Alpha Series	2 - 4
Transducers & Isolators	Theta Series	5 - 8
Temperature Controllers	Lambda Series	9
Converters & Recorders	IOTA Series	10 - 11
Digital Panel Meters	Beta Series	12 - 15
Current Transformers	Omega Series	16 - 27
Analogue Panel Meters	Sigma Series	28 - 37
Shunts	KAPPA Series	38
Digital Multimeters	Gamma Series	39 - 40
Clamp Meters	Delta Series	41
Insulation Testers	Zeta Series	42 - 43

# Multifunction Meters

**Alpha Series**

**Features**

- Individual harmonic measurement up to 51st order / level (Alpha 70)
- True RMS Measurements
  - On site programmable
  - 3ph 3 Wire/3ph 4 Wire
  - CT secondary 1A/5A
- CT primary and PT primary
- Universal Aux supply (40–300V AC/DC Aux)
- Measures more than 61 parameters
- RS-485 (Ethernet) connectivity
- Optional outputs: analogue, pulse and RS485 ModBus
- Auto scrolling
- Click fit arrangement for easy installation
- Low back depth
- RPM measurement capability (Alpha 20)
- Phase reversal indication (Alpha 40)
- Hour run, ON hour, No. of interruptions
- Min/Max storage of parameters

Alpha series LED/LCD multifunction meters with touch screen capability are available with 1A or 5A current input, and up to 500V L/L, (289 L/N) inputs. The 50 and 70 series are on site configurable as; single phase, 3, or 4 wired with pulsed output and RS485 ModBus options.

**Features given vary from product to product - for more detailed product specific info please visit our website [www.sifamtinsley.co.uk](http://www.sifamtinsley.co.uk)**



## Alpha 70

### Features

- Phasor representation of all 3 phases for system analysis
- Energy class 0.5S as per standard IEC 62053-22
- True representation of voltage and current waveforms
- Real Time Clock (RTC)
- Individual harmonics up to 56th Harmonics
- Time of use with configurable zones, seasons, tariff profiles which helps energy analysis

Cat No.	Description
AP70-38F75HZZZ0000	3ph, 100-500V, 1/5A I/p, 60-300 Aux
AP70-38F75HRZZ0000	3ph, 100-500V, 1/5A I/p, 60-300 Aux, RS-485
AP70-38F75HRDI0000	3ph, 100-500V, 1/5A I/p, 60-300 Aux, RS-485, 2 Pulse O/P, with Impulse LED



## Alpha 50

### Features

- True RMS Measurement
- Onsite Programmable
- Low back depth
- Phase reversal Indication
- Touch screen graphics LCD
- RS-485, limit or pulse output, analogue output

Cat No.	Description
AP50-3EUZZZ00000000	3ph, 415V L-L i/p, 1A-5A I/p Current, 100-250 VAC-DC Aux
AP50-3EURZZ00000000	3ph, 415V L-L i/p, 1A-5A I/p Current, 100-250 VAC-DC Aux, RS 485
AP50-3EURS200000000	3ph, 415V L-L i/p, 1A-5A I/p Current, 100-250 VAC-DC Aux, RS 485, 1 Pulse O/P, 2 Analogue O/P

## Alpha 40

### Features

- True RMS measurement
- Energy as per IEC 62053
- Onsite programmable
- Low back depth
- Error diagnosis mode
- LCD display with backlit
- RS-485, limit or pulse output

Cat No.	Description
AP40-4385UZZ000000	3ph, 415V L-L i/p, 5A I/p Current, 60-300VAC-DC Aux
AP40-4385URZ000000	3ph, 415V L-L i/p, 5A I/p Current, 60-300VAC-DC Aux, RS-485
AP40-4385URP000000	3ph, 415V L-L i/p, 5A I/p Current, 60-300VAC-DC Aux, RS-485, Pulse O/P



## Alpha 20

### Features

- ModBus (RS-485) communication (optional)
- Pulse / limit switch output (optional)
- 3 Line 4 Digits ultra bright LED display (up to 9999)
- On site programmable CT / PT ratios
- User selectable CT secondary 1A / 5A
- User selectable PT secondary from 100VLL to 500VLL
- Wide auxillary power supply which can accept any input between 40V-300V AC/DC

Cat No.	Description
AP20-311EAZR000000	3ph, 100 to 500V L-L, 1/5A, External Aux (40V TO 300V AC-DC) RS485
AP20-311EALR000000	3ph, 100 to 500V L-L, 1/5A, External Aux (40V TO 300V AC-DC) with Limit Switch, RS485



## Alpha 10

### Features

- ModBus (RS-485) communication (optional)
- Pulse / limit switch output (optional)
- 3 Line 4 Digits ultra bright LED display (up to 9999)
- On site programmable CT / PT ratios
- User selectable CT secondary 1A / 5A
- User selectable PT secondary from 100VLL to 500VLL
- Wide auxillary power supply which can accept any input between 40V-300V AC/DC

Cat No.	Description
AP10-331EAL0000000	3ph External Aux (40V-300V AC-DC) with Limit Switch I/P 500V L-L
AP10-331EAZ0000000	3ph External Aux (40V-300V AC-DC) without Limit Switch I/P 500V L-L
AP10-331SAL0000000	3ph Self Aux with Limit Switch I/P 500V L-L
AP10-331SAZ0000000	3ph Self Aux without Limit Switch I/P 500V L-L







## N43

### Features

- Indications considering values of programmed ratios
- Programmable current and voltage ratios
- 12 programmable screens/pages
- Backlit LCD display
- Digital transmission to the master system through the RS-485 interface with ModBus protocol
- Configurable alarm outputs
- The pulse output for monitoring of 3-phase active energy
- USB for configuration by using free eCon software
- Implemented function for software updating
- Modern design allows for installation of the meter in modular switchgear in accordance with EN 62208, (meter has a width of 6 modules) on 35mm rail
- External dimensions: 105 x 110 x 60mm

Cat No.	Description
NA43-13100E0	N43, 1/5A I/P, 500V I/P, Aux 85-253V AC
NA43-23100E0	N43, 63A I/P, 500V I/P, Aux 85-253V AC



## N27P (Meter of Network Parameters)

### Features

- Universal measuring input:
  - 1/5A 100/400V AC
  - 32/63A, 100/400V AC.
- Direct measurement (up to 63A), output:
  - RS-485 interface with ModBus protocol
  - 1 x relay + 1 x analog or 2 x relay
- Modern graphical display in OLED technology
- Programmable current and voltage transformer ratios
- Meter configuration using button or free eCon software (through USB)
- External dimensions: 53 x 110 x 60mm

Cat No.	Description
N27P-1100E0	N27P, 1A/5A I/P, 2 Relay O/P
N27P-2200E0	N27P, 32A/63A I/P, 1 Relay 1 Analogue O/P

# Transducers & Isolators

Theta series transducers come in a compact programmable design, they are available with LCD display, and on-site configurability. Dedicated versions measuring: current, voltage, frequency or power are also available.



## Features

- 1/3 Phase, 2 / 3 / 4 wire programmable multi transducers
- Meets requirements of international standard IEC688 for accuracy
- Insulation level of 3.7kV / 4kV
- Insulation level for MXX series is 5.6kV
- PC simulation
- Measuring ranges in case of isolators are configurable with DIP switch and Potentiometer
- Red LED indication for open or short circuit
- Universal (AC / DC) power supply

Theta Series

Features given vary from product to product - for more detailed product specific info please visit our website [www.sifamtinsley.co.uk](http://www.sifamtinsley.co.uk)

## Theta 30P

### Features

- True RMS measurement
- Fully on-site programmable input voltage range & input current range
- On-site configurable as active / reactive / apparent power transducer / phase angle / power factor
- On-site selectable output type (DC current / DC voltage)
- Single or dual output
- Accuracy class 0.2 ( IEC / EN 60688) for power
- Accuracy class 0.5 ( IEC / EN 60688) for phase angle / power factor
- Seven segment LCD display
- RS-485 (ModBus) communication

Cat No.	Description
TT30-P38F75H2DZZ00	3ph-4Wr, Active Power, Unbalanced; 60-300V AC/DC Aux, 2 O/P, with Display
TT30-P38F75H2DRZ00	3ph-4Wr, Active Power, Unbalanced; 60-300V AC/DC Aux, 2 O/P, with Display, RS-485
TT30-P38F75H2DRZ00	3ph-4Wr, Active Power, Unbalanced; 60-300V AC/DC Aux, 2 O/P, with Display, RS-485, Prog Cable
TT30-P38F75F2DZZ00	3ph-4Wr, Active Power, Unbalanced; 24-60V AC/DC Aux, 2 O/P, with Display
TT30-P38F75F2DRZ00	3ph-4Wr, Active Power, Unbalanced; 24-60V AC/DC Aux, 2 O/P, with Display, RS485
TT30-P38F75F2DRZ00	3ph-4Wr, Active Power, Unbalanced; 24-60V AC/DC Aux, 2 O/P, with Display, RS485, Prog Cable



## Theta 20A/20V

### Features

- Available in single or dual output type
- On-site selectable output type (DC current / DC voltage)
- Accuracy class 0.2 (IEC / EN 60 688)
- Seven segment LCD display
- RS-485 (ModBus) communication

Cat No.	Description
TT20-I74H2DRZ00000	1-5A I/P, 6-300V AC/DC Aux, 2 O/P with Display, RS-485
TT20-I74H2DRC00000	1-5A I/P, 6-300V AC/DC Aux, 2 O/P with Display, RS-485, Prog. Cable
TT20-V8EH2DRZ00000	57-500V I/P, 6-300V AC/DC Aux, 2 O/P with Display, RS-485
TT20-V8EH2DRC00000	57-500V I/P, 6-300V AC/DC Aux, 2 O/P with Display, RS-485, Prog. Cable





## Theta 10A/10V

### Features

- Accuracy class 0.2 as per International standard IEC/EN 60 688
- Output response time <250 ms
- Fast and easy installation on DIN RAIL or onto a wall or in panel using optional screw hole bracket

Cat No.	Description
TT10-A62G5F0000000	0-1A I/P, 0-5V O/P, 40-300V AC/DC Aux
TT10-A62G5H0000000	0-1A I/P, 0-10V O/P, 40-300V AC/DC Aux
TT10-A69G5F0000000	0-5A I/P, 0-5V O/P, 40-300V AC/DC Aux
TT10-A69G5H0000000	0-5A I/P, 0-10V O/P, 40-300V AC/DC Aux
TT10-A69G300000000	0-5A I/P, 0-10mA O/P, 40-300V AC/DC Aux
TT10-A69G320000000	0-5A I/P, 0-20mA O/P, 40-300V AC/DC Aux
TT10-A69G550000000	0-5A I/P, 4-20mA O/P, 40-300V AC/DC Aux
TT10-A69G540000000	0-5A I/P, 2-10mA O/P, 40-300V AC/DC Aux
TT10-A62F5F0000000	0-1A I/P, 0-5V O/P, 24-60V AC/DC Aux
TT10-A62F5H0000000	0-1A I/P, 0-10V O/P, 24-60V AC/DC Aux
TT10-A69F5F0000000	0-5A I/P, 0-5V O/P, 24-60V AC/DC Aux
TT10-A69F5H0000000	0-5A I/P, 0-10V O/P, 24-60V AC/DC Aux
TT10-A69F300000000	0-5A I/P, 0-10mA O/P, 24-60V AC/DC Aux
TT10-A69F320000000	0-5A I/P, 0-20mA O/P, 24-60V AC/DC Aux
TT10-A69F550000000	0-5A I/P, 4-20mA O/P, 24-60V AC/DC Aux
TT10-A69F540000000	0-5A I/P, 2-10mA O/P, 24-60V AC/DC Aux
TT10-V7AF550000000	0-230V I/P, 4-20mA O/P, 24-60V AC/DC Aux
TT10-V7GF550000000	0-300V I/P, 4-20mA O/P, 24-60V AC/DC Aux
TT10-V7SF550000000	0-440V I/P, 4-20mA O/P, 24-60V AC/DC Aux
TT10-V7VF550000000	0-500V I/P, 4-20mA O/P, 24-60V AC/DC Aux
TT10-V7AF5H0000000	0-230V I/P, 0-10V O/P, 24-60V AC/DC Aux
TT10-V7GF5H0000000	0-300V I/P, 0-10V O/P, 24-60V AC/DC Aux
TT10-V7SF5H0000000	0-440V I/P, 0-10V O/P, 24-60V AC/DC Aux
TT10-V7VF5H0000000	0-500V I/P, 0-10V O/P, 24-60V AC/DC Aux
TT10-V7AG550000000	0-230V I/P, 4-20mA O/P, 40-300V AC/DC Aux
TT10-V7GG550000000	0-300V I/P, 4-20mA O/P, 40-300V AC/DC Aux
TT10-V7SG550000000	0-440V I/P, 4-20mA O/P, 40-300V AC/DC Aux
TT10-V7VG550000000	0-500V I/P, 4-20mA O/P, 40-300V AC/DC Aux
TT10-V7AG5H0000000	0-230V I/P, 0-10V O/P, 40-300V AC/DC Aux
TT10-V7GG5H0000000	0-300V I/P, 0-10V O/P, 40-300V AC/DC Aux
TT10-V7SG5H0000000	0-440V I/P, 0-10V O/P, 40-300V AC/DC Aux
TT10-V7VG5H0000000	0-500V I/P, 0-10V O/P, 40-300V AC/DC Aux



## Theta Hz

### Features

- Fully on-site programmable input range
- Available in single or dual output type
- On-site selectable output type (DC current / DC voltage)
- Accuracy class 0.2 (IEC / EN 60688)
- Seven segment LCD Display
- RS-485 (ModBus) communication

Cat No.	Description
TT25-68FH2DZZ00000	45-55Hz, 60-300V AC/DC, 2 O/P with Display
TT25-B8FH2DZZ00000	55-65Hz, 60-300V AC/DC, 2 O/P with Display
TT25-78FH2DZZ00000	45-65Hz, 60-300V AC/DC, 2 O/P with Display
TT25-A8FH2DZZ00000	48-52Hz, 60-300V AC/DC, 2 O/P with Display
TT25-68FH2DRZ00000	45-55Hz, 60-300V AC/DC, 2 O/P with Display, RS-485
TT25-B8FH2DRZ00000	55-65Hz, 60-300V AC/DC, 2 O/P with Display, RS-485
TT25-78FH2DRZ00000	45-65Hz, 60-300V AC/DC, 2 O/P with Display, RS-485
TT25-A8FH2DRZ00000	48-52Hz, 60-300V AC/DC, 2 O/P with Display, RS-485



## Theta 50

### Features

- Accuracy class 0.2 as per International standard IEC / EN 60 688
- Output response time < 250 ms
- Fast and easy installation on DIN RAIL or onto a wall or in panel using optional screw hole bracket

Cat No.	Description
TT50-3C555HF000000	I/P 2-10V, O/P 4-20mA & 0-10V, 24-60V AC/DC
TT50-3C555HJ000000	I/P 2-10V, O/P 4-20mA, & 0-10V, 60-300V AC/DC
TT50-3C325HF000000	I/P 2-10V, O/P 0-20mA, & 0-10V, 24-60V AC/DC
TT50-3C325HJ000000	I/P 2-10V, O/P 0-20mA, & 0-10V, 60-300V AC/DC
TT50-5H555HJ000000	I/P 0-10V, O/P 4-20mA & 0-10V, 60-300V AC/DC
TT50-5H555HF000000	I/P 0-10V, O/P 4-20mA & 0-10V, 24-60V AC/DC
TT50-5H325HF000000	I/P 0-10V, O/P 0-20mA & 0-10V 24-60V AC/DC
TT50-5H325HJ000000	I/P 0-10V, O/P 0-20mA & 0-10V 60-300V AC/DC
TT50-325H55F000000	I/P 0-20mA, O/P 0-10V & 4-20 mA, 24-60V AC/DC
TT50-325H55J000000	I/P 0-20mA, O/P 0-10V & 4-20 mA, 60-300V AC/DC
TT50-323C55F000000	I/P 0-20mA, O/P 2-10V & 4-20 mA, 24-60V AC/DC
TT50-323C55J000000	I/P 0-20mA, O/P 2-10V & 4-20 mA, 60-300V AC/DC
TT50-555H55J000000	I/P 4-20mA, O/P 0-10V & 4-20 mA, 60-300V AC/DC
TT50-555H55F000000	I/P 4-20mA, O/P 0-10V & 4-20 mA, 24-60V AC/DC
TT50-553C55F000000	I/P 4-20mA, O/P 2-10V & 4-20 mA, 24-60V AC/DC
TT50-553C55J000000	I/P 4-20mA, O/P 2-10V& 4-20 mA, 60-300V AC/DC



## Theta 60M

### Features

- Electric insulation between measured variable, analogue output signal and power supply / safe isolation acc. to EN 61 010
- Provision for either snapping the transmitter onto top-hat rails or securing it with screws to a wall or panel
- Housing only 17.5mm wide (size S17 housing) / low space requirement
- All programming operations by IBM XT, AT or compatible PC running the self-explanatory, menu-controlled programming software, if necessary, during operation / no ancillary hand-held terminals needed
- Digital measured variable data available at the programming interface / simplifies commissioning, measured variable and signals can be viewed on PC in the field

Cat No.	Description
TT62-1F000000000000	V604, Cold Junction, Basic Programming, 24-60V AC/DC
TT62-1J000000000000	V604, Cold Junction, Basic Programming, 85-230V AC/DC
TT62-3F000000000000	V604, Cold Junction + Alarm Function, Basic Programming, 24-60V AC/DC
TT62-3J000000000000	V604, Cold Junction + Alarm Function, Basic Programming, 85-230V AC/DC
TT62-2F000000000000	V604, without Cold Junction, Basic Programming, 24-60V AC/DC
TT62-2J000000000000	V604, without Cold Junction, Basic Programming, 85-230V AC/DC



## Theta 60R

### Features

- Electrically insulated analogue DC signals 0-20mA / prevents the transfer of interference voltages and currents
- Solves grounding Problems in meshed signal networks
- Highly accurate / performs its isolating function with negligible transmission error
- No power supply needed / saves wiring costs and is easy to install in existing plants
- Snaps onto a DIN rail or screws onto a wall or panel / adaptable to the circumstances at the place of installation
- Compact and narrow, housing only 17.5mm wide / Low space requirement, high packing density, 27 devices fit into a 19" rack

Cat No.	Description
TT61-1161F000000000	1 CH, 2/3 Wire, 4-20mA, 24-60V AC/DC Aux
TT61-1161J000000000	1 CH, 2/3 Wire, 4-20mA, 85-230V AC/DC Aux
TT61-115HF000000000	1 CH, 2/3 Wire, 0-10V, 24-60V AC/DC Aux
TT61-115HJ000000000	1 CH, 2/3 Wire, 0-10V, 85-230V AC/DC Aux
TT61-2261F000000000	2 CH, 4 Wire, 4-20mA, 24-60V AC/DC Aux
TT61-2261J000000000	2 CH, 4 Wire, 4-20mA, 85-230V AC/DC Aux
TT61-225HF000000000	2 CH, 4 Wire, 0-10V, 24-60V AC/DC Aux
TT61-225HJ000000000	2 CH, 4 Wire, 0-10V, 85-230V AC/DC Aux





## P300

### Features

- 2 Universal pulse inputs • Version: Standard, with SD card, Ethernet and Internal memory
- Mathematical functions for each input • Individual characteristic (upto 21 points) for each input • 1 or 2 (optional) alarm output • Power supply of object transducers 24V DC (optional) • Transducer configuration using buttons, RS485, interface and eCon Software, WWW server

Cat No.	Description
P300-112100E0	4-20mA O/P, Supporting SD/SDHC card, 85-253V AC/DC Supply
P300-212100E0	0-10V O/P, Supporting SD/SDHC card, 85-253V AC/DC Supply
P300-112100E1	4-20mA O/P, Supporting SD/SDHC card, 85-253V AC/DC Supply, Quality Inspection Certificate
P300-212100E1	0-10V O/P, Supporting SD/SDHC card, 85-253V AC/DC Supply, Quality Inspection Certificate
P300-112200E0	4-20mA O/P, Supporting SD/SDHC card, 20-40V AC/DC Supply
P300-212200E0	0-10V O/P, Supporting SD/SDHC card, 20-40V AC/DC Supply
P300-112200E1	4-20mA O/P, Supporting SD/SDHC card, 20-40V AC/DC Supply, Quality Inspection Certificate
P300-212200E1	0-10V O/P, Supporting SD/SDHC card, 20-40V AC/DC Supply, Quality Inspection Certificate



## P30U

### Features

- Display: LCD 2 x 8 characters with backlit • Supply: 85-253V AC/DC or 20-40V AC/20-60V DC
- Conversion of the measured value into any output signal on the basis of the individual liner characteristics • Conversion of the measured value by means of one of five implemented mathematical functions • Indication of exceeding the alarm values • Recording the signal input in programmed time periods in the internal memory and on SD/SDHC card (option)

Cat No.	Description
P30U-101200E0	O/P 4-20mA, Supporting SD/SDHC card no service, additional relay O/P, with 20-40V AC, 20-60V DC Supply
P30U-201200E0	O/P 0-10V, Supporting SD/SDHC card no service, additional relay O/P, with 20-40V AC, 20-60V DC Supply
P30U-101100E0	O/P 4-20mA, Supporting SD/SDHC card no service, additional relay O/P, with 85-250V AC/DC Supply
P30U-201100E0	O/P 0-10V, Supporting SD/SDHC card no service, additional relay O/P, with 85-250V AC/DC Supply



## P18 (D, L)

### Features

- Calculation of selected physical quantities (dew-point temperature, absolute humidity) • Conversion of measured quantities into the output signal on the base of the individual linear characteristic • Memory of maximal and minimal value for each of measured and calculated value • Programming of the measurement averaging time • Servicing of RS-485 interface in ModBus protocol in the RTU mode

Cat No.	Description
P18-100E0	P18, Current 4-20mA
P18-200E0	P18, Voltage, 0-10V
P18D-100E0	P18D, Current 4-20mA
P18D-200E0	P18D, Voltage, 0-10V
P18D-000E0	P18L, Standard



## P19 (Temperature & Humidity Transducer)

### Features

- Built-in temperature and humidity sensor • Calculation of selected physical quantities (dew-point temperature, absolute humidity) • Storage of measured and calculated maximum and minimum values
- Interface RS-485 galvanically isolated (ModBus protocol) • Fixed on a wall • External dimensions: 120 x 80 x 25mm

Cat No.	Description
P19-00E0	P19
P19-00E1	P19 with Quality Inspection Certificate

# Temperature Controllers

Temperature Controllers are designed for precise measurement and control of sophisticated systems where precise and accurate measurement & controlling actions are required. Controllers are available with a wide range of sensor inputs, analogue signals & resistance input. Available in single and dual input channels with additional auxiliary input facility.



## RE72

### Features

- Universal measuring input
- Binary input control
- Set point value: fixed value, programmed or from an additional input
- On / off , PID, PID step-by-step control (valve control) or PID of heating-cooling type
- Soft start
- 8 types of alarms
- Function of bistable alarm (LATCH)
- Timer function
- Measurement of heater current and heater burning control or short-circuit of the control element (e.g. SSR)

Cat No.	Description
RE72 - 1-2-2-1-00-E-8	RE72, O/P 1 relay, O/P 2 voltage 0/5V, Option with binary input, Supply: 85-253V AC/DC
RE72 - 1-2-2-2-00-E-8	RE72, O/P 1 relay, O/P 2 voltage 0/5V, Option with binary input, supply: 20-40V AC/DC
RE72 - 3-2-1-00-E-8	RE72, O/P 1, 4-20mA, O/P 2 voltage 0-10V, Option with binary input, supply 85-253V AC/DC

## RE92

### Features

- Universal measuring input
- Binary input control
- Set point value: fixed value, programmed or from an additional input
- On / off , PID, PID step-by-step control (valve control) or PID of heating-cooling type
- Soft start
- 8 types of alarms
- Function of bistable alarm (LATCH)
- Timer function
- Measurement of heater current and heater burning control or short-circuit of the control element (e.g. SSR)

Cat No.	Description
RRE92 - 1-10-1-0-00-E-0	RE92, input- current 0/4-20 mA, O/P 1 and 2:2 relays, with Ethernet, without additional quality requirements
RRE92 - 2-21-0-00-E-0	RE92, input- current 0-5/10V, O/P 1 and 2:2 Binary O/P, with Ethernet, without additional quality requirements
RRE92 - 1-20-2-00-E-0	RE92, input- current 4-20mA, O/P 1 and 2:2 Binary O/P, with Ethernet, without additional quality requirements

### Features

- Completely programmable
- 1 or 2 main inputs channels
- RS485 ModBus connectivity
- Available in LED & LCD colour displays
- Compliance with IP65 protection class
- 6 types of alarms and alarm latch functions
- Available with delay output
- Binary output to drive SSR & ethernet recording facility (available in RE92 Version)

Features given vary from product to product - for more detailed product specific info please visit our website [www.sifamtinsley.co.uk](http://www.sifamtinsley.co.uk)





# Converters & Recorders

**IOTA Series**

**Features**

- Available with 24 channels
- High sampling rate
- User settable recording interval time
- Data acceptance over ModBus master & slave
- Simple module functioning
- Inbuilt FTP & web server
- Industrial grade memory cards for effective data
- On-board storage
- Password protected

Features given vary from product to product - for more detailed product specific info please visit our website [www.sifamtinsley.co.uk](http://www.sifamtinsley.co.uk)

IOTA series recorders are designed for measurement and recording of process and major electrical parameters which may be critical for the system and effect the process performance. Data recorders can be retrieved for fault analysis. These recorders have the facility to collect data from the process transmitters (used for flow, pressure, humidity etc.) and are available with analogue channels & ModBus channels.



## N30B (Digital Panel Recorder)

**Features**

- RS-485 interface with ModBus RTU protocol (master and slave)
- 3-colour display (14mm height), programmable in 3 ranges of the displayed value
- 21-point individual characteristic (indication rescaling)
- Internal memory (350064 records)
- Data archiving on MMC / SD card with capacity up to 4GB
- Data archiving on PC in MySQL database
- Conversion into an analogue signal (0-10V or 0/4-20mA)
- Indication of capacity exceeding of MMC / SD card
- RTC with daylight saving time (DST) automatic adjustment

Cat No.	Description
RN30B-1.0.29.00.E.8	Supply 85-253V AC
RN30B-2.0.29.00.E.8	Supply 20-40V AC
RN30B-1.1.29.00.E.7	Supply 85-253V AC, OC O/P, RS485, Analogue O/P
RN30B-2.1.29.00.E.7	Supply 20-40V AC, OC O/P, RS485, Analogue O/P



## PD8 (Convertor of RS485)

**Features**

- Enables access to devices with RS-485 interface through the Ethernet network
- Device configuration through any web browser
- Operating modes include: TCP/IP socket, ModBus TCP

Cat No.	Description
RPD8-100E0	PD8, 85-253V AC/DC
RPD8-200E0	PD8, 20-50V AC/DC

## PD8W (Wifi Version)

### Features

- RS485 / Ethernet WiFi interface
- Enables access to devices with RS-485 interface through the Ethernet network
- Device configuration through any web browser
- Operating modes include: TCP / IP socket, ModBus TCP

Cat No.	Description
RPD8W-100E0	PD8W, 85-253V AC/DC
RPD8W-200E0	PD8W, 20-50V AC/DC



## SM61 (Data Logger with WWW Server)

### Features

- Visualisation of current and archived data according to customer configuration (synotic maps, charts, tables) by any web browser
- Readout up to 2500 values from slave devices (up to 100 devices, each 25 registers)
- User-friendly application for data configuration
- 1 GB Flash memory
- Built-in FTP and web servers
- Alarms or binary inputs for control of archiving
- RTC (real time clock)
- Possibility of simultaneously work by many users
- User access control by a password

Cat No.	Description
RSM61-1100E0	SM61, 85-253V AC/DC, 2 Relay O/P
RSM61-2100E0	SM61, 20-50V AC/DC, 2 Relay O/P
RSM61-1200E0	SM61, 85-253V AC/DC, 2 O/P, Binary I/P
RSM61-2200E0	SM61, 20-50V AC/DC, 2 Binary I/P



## KD7

### Features

- Available with 24 channels
- 8 or 16 digital inputs
- 4 or 8 analogue outputs
- 6 or 32 alarm outputs
- Menu available in various language versions
- Diversified user's access rights
- RS-232, RS-485 and USB serial interfaces
- Ethernet communication, WWW and FTP server, ModBus slave TCP/IP

Cat No.	Description
KD7-1-1-1-0-0-1-6-1-1-1-8	(Slot 1) with 6 programmable measuring inputs, (Slot 2) with 6 programmable measuring inputs, with RS-485 interface measuring input, (Slot 3) without digital and analogue outputs, (Slot 4) without digital signals and analogue outputs, with USB interface, with a 4GB CF memory card, supply: 90-253V AC, with mathematical functions, with KD Connect and KD Check softwares
KD7-2-1-1-0-0-1-6-1-0-2-7	(Slot 1) 6 standard measuring inputs: 0-10V, (Slot 2) with 6 programmable measuring inputs, with RS-485 interface measuring input (Slot 3) without digital and analogue outputs, (Slot 4) without digital signals and analogue outputs, with USB interface, with a 4GB CF memory card, supply: 90-253 V AC, without mathematical functions, KD Connect, KD Check, KD Archive, KD7 Setup, with extra quality inspection requirements





# Digital Panel Meters

## Features

- Auxiliary supply 24, 110, 230 Volts AC or 5, 12, 24, 48, 110 Volts DC
- On-site decimal point selection
- True RMS measurement
- Changeable unit caption on front display
- Enclosure protection for dust and water
- Ultra-bright red LED display

Beta series digital panel meters are available with 3, 5 or 4 digital ultra-bright LED display with choice of measuring: current, voltage, frequency or temperature. They are available in the following sizes: 24mm x 48mm, 24mm x 96mm, 48mm x 96mm and 96mm x 96mm.

**Features given vary from product to product - for more detailed product specific info please visit our website [www.sifamtinsley.co.uk](http://www.sifamtinsley.co.uk)**



## Beta P (10, 20, 30, 40)

### Features

- Fast & easy installation on panel without any need of external swivel screws
- 4 digits ultra bright LED display (up to 9999)
- On-site programmable CT / PT ratios selectable CT secondary 1A / 5A
- User selectable PT secondary from 100VLL to 500VLL
- User selectable 3ph 3wire / 3Ph 4wire / single phase network
- Wide auxiliary power supply which can accept any input between 40V-300V AC/DC



Cat No.	Description
BT14-E1K181L000000	10P 48x96, 1ph, AC Ammeter, 14mm, 5A, 40-300 AC/DC Aux
BT14-E1K281L000000	10P 96x96, 1ph, AC Ammeter, 20mm, 5A, 40-300 AC/DC Aux
BT14-E1V14AL000000	20P, 48x96, 1ph, AC Voltmeter, 14mm, 60-290 L-N, 40-300 AC/DC Aux
BT14-E1V14BL000000	20P 48x96, 1ph, AC Voltmeter, 14mm, 60-600 L-N, 40-300 AC/DC Aux
BT14-E1V14CL000000	20P 48x96, 1ph, AC Voltmeter, 14mm, 120-600 L-N, 40-300 AC/DC Aux
BT14-E1V24AL000000	20P 48x96, 1ph, AC Voltmeter, 20mm, 60-290 L-N, 40-300 AC/DC Aux
BT14-E1V24BL000000	20P 48x96, 1ph, AC Voltmeter, 20mm, 60-600 L-N, 40-300 AC/DC Aux
BT14-E1V24CL000000	20P 48x96, 1ph, AC Voltmeter, 20mm, 120-600 L-N, 40-300 AC/DC Aux
BT14-G1V14AL000000	20P 96x96, 1ph, AC Voltmeter, 14mm, 60-290 L-N, 40-300 AC/DC Aux
BT14-G1V14BL000000	20P 96x96, 1ph, AC Voltmeter, 14mm, 60-600 L-N, 40-300 AC/DC Aux
BT14-G1V14CL000000	20P 96x96, 1ph, AC Voltmeter, 14mm, 120-600 L-N, 40-300 AC/DC Aux
BT14-G1V24AL000000	20P 96x96, 1ph, AC Voltmeter, 20mm, 60-290 L-N, 40-300 AC/DC Aux
BT14-G1V24BL000000	20P 96x96, 1ph, AC Voltmeter, 20mm, 60-600 L-N, 40-300 AC/DC Aux
BT14-G1V24CL000000	20P 96x96, 1ph, AC Voltmeter, 20mm, 120-600 L-N, 40-300 AC/DC Aux
BT14-E3K181L000000	30P 48x96, 3ph, AC Ammeter, 14mm, 5A, 40-300 AC/DC Aux
BT14-E3K281L000000	30P 96x96, 3ph, AC Ammeter, 20mm, 5A, 40-300 AC/DC Aux
BT14-E3V14DL000000	40P 48x96, 3ph, AC Volt meter, 14mm, 100-500LL, 40-300 AC/DC Aux
BT14-E3V24DL000000	40P 48x96, 3ph, AC Volt meter, 20mm, 100-500LL, 40-300 AC/DC Aux
BT14-G3V14DL000000	40P 96x96, 3ph, AC Volt meter, 14mm, 100-500LL, 40-300 AC/DC Aux
BT14-G3V24DL000000	40P 96x96, 3ph, AC Volt meter, 20mm, 100-500LL, 40-300 AC/DC Aux

## Beta 50, 60, 70 (48mm x 96mm)

### Features

- DC current ranges and DC voltage ranges
- 4 digit ultra bright display
- Highly adaptable DPMs suitable for a wide range of measuring applications
- Versions available for DC current (mA) and DC voltage (mV & volts) inputs

Cat No.	Description
BT57-E604200000000	Beta 50, 48x96, 4-20mA, 110V AC Aux, Display 4.5
BT57-E604900000000	Beta 50, 48x96, 4-20mA, 24V DC Aux, Display 4.5
BT57-E40D2000000000	Beta 60, 48x96, 0-200mV, 110V AC Aux, Display 4.5
BT57-E40D9000000000	Beta 60, 48x96, 0-200mV, 24V DC Aux, Display 4.5
BT57-E51L2000000000	Beta 70, 48x96, 0-1000V, 110V AC Aux, Display 4.5
BT57-E51L9000000000	Beta 70, 48x96, 0-1000V, 24V DC Aux, Display 4.5



## Beta 90A, B (24mm x 48mm)

### Features

- Available in size 48 x 24mm
- Compact digital display units in a 48mm x 24mm DIN standard snap-in housing
- The low power consumption and small overall size of these DPMs suits high-density panel applications

Cat No.	Description
BT90-C031K900000000	BETA 90, 24x96 S 0-300V 24D
BT90-A0104900000000	BETA 90, 24x48 D 4-20mA 24D
BT90-A021B900000000	BETA 90, 24x48 F 10V 24D



## Beta 90T (48mm x 96mm)

### Features

- PT-100 temperature version
- Scaling adjustable over a wide range
- Versions available for current or voltage inputs (DC and AC), or PT-100 temperature sensors

Cat No.	Description
BT91-ETT12000000000	BT90T, 48x96T, -100 To 850 °C 2W, 110V AC Aux
BT91-ETT2G000000000	BT90T, 48x96T, -199.9 To 199.9 °C 2W, 45-300 U
BT91-ETT39000000000	BT90T, 48x96T, -100 To 850 °C 3W, 24V DC Aux
BT91-ETT4G000000000	BT90T, 48x96T, -199.9 To 199.9 °C 3W, 45-300 U
BT91-ETT59000000000	BT90T, 48x96T, -100 To 850 °C 4W, 24V DC Aux
BT91-ETT6G000000000	BT90T, 48x96T, -199.9 To 199.9 °C 4W, 45-300 U



## Beta 90 (24mm x 96mm)

### Features

- Factory pre-set with many measuring ranges
- Measuring ranges selectable using jumpers
- Zero point and final value adjustable (inc. 4-20 mA)
- 230V AC power supply option
- Overall depth only 72mm

Cat No.	Description
BT90-C0D049000000000	24x96, 4-20mA, 24V Aux, 20mm Display
BT90-C0D04G000000000	24x96, 4-20mA, 45-300U Aux, 20mm Display
BT90-C0F1B9000000000	24x96, 0-10V, 24V Aux, 20mm Display
BT90-C0F1EG000000000	24x96, 0-500V, 45-300U Aux, 20mm Display





### Beta G1 (24mm x 72mm)

#### Features

- 3 / 64 DIN indicator
- LCD: 3-1/2 digit 0.5" high LCD display (non backlit or -ve image red) bright red backlighting
- Limited range display scaling
- Span adjustment and offset adjustment through potentiometer

Cat No.	Description
BT32-BG1CQ00000000	Grey LCD, 1999 Display, 85-230 VAC: 20VDC, 3.5 Digital Display
BT32-BR1CQ00000000	Red LCD, 1999 Display, 85-230 VAC: 20VDC, 3.5 Digital Display
BT32-BG54Q00000000	Grey LCD, 1999 Display, 85-230 VAC: 5A AC, 3.5 Digital Display
BT32-BR54Q00000000	Red LCD, 1999 Display, 85-230 VAC: 5A AC, 3.5 Digital Display



### Beta G2 (24mm x 72mm)

#### Features

- 3 / 64 DIN indicator
- LCD: 3-1/2 digit 0.5" high LCD display (non backlit or -ve image red) bright red backlighting
- Limited range display scaling
- Span adjustment and offset adjustment through potentiometer

Cat No.	Description
BT42-BGA3VQ00000000	Grey LCD, 19999 Display, 85-230 VAC: 20VDC, 4.5 Digital Display
BT42-BR3VQ00000000	Red LCD, 19999 Display, 85-230 VAC: 20VDC, 4.5 Digital Display



### Beta Hz (48mm x 96mm)

#### Features

- Display range : 0-+1999
- Available with 24VDC and 110VAC (50 / 60Hz) supply voltage

Cat No.	Description
BT15-EF012000000000	48x96, 12-199.9Hz, 110A AC Aux
BT15-EF022000000000	48x96, 12-500Hz, 110A AC Aux
BT15-EF019000000000	48x96, 12-199.9Hz, 24V DC Aux
BT15-EF029000000000	48x96, 12-500Hz, 24V DC Aux
BT15-EF01B000000000	48x96, 12-199.9Hz, 100V DC Aux
BT15-EF02B000000000	48x96, 12-500Hz, 100V DC Aux



### N30 (P, O, U, H)

#### Features

- Measurement: current and d.c. voltage up to 5A and 600V
- Three-colour display (14mm high), programmed in three intervals of the measured value
- Meter programming from the keyboard or through the RS-485 interface by means of the free delivered LPConfig program
- Four alarm outputs with signalling by LED diodes, operating in 6 different modes
- Conversion of any measured value into a 0/4-20mA, or 0-10V analogue signal
- Storage of minimal and maximal values for all measured quantities
- 21-point individual characteristics for the measured value

Cat No.	Description
N30P-100100E0	N30P, 85-253V AC/DC, O/P Lack, Unit V, Standard
N300-100100E0	N300, 85-253V AC/DC, O/P Lack, Unit V, Standard
N30U-102600E0	N30U, 85-253V AC/DC, O/P Lack, Unit °C, Standard
N30H-100100E0	N30H, 85-253V AC/DC, O/P Lack, Unit V, Standard

## NA3 (Digital Meter with Bar Graph)

### Features

- Universal input for the measurement of DC current, DC voltage and temperature
- 3 or 7-colour bargraph
- Programming of bargraph colour depending on the measured quantity value
- Signalling of set alarm value over flow
- Storage of measured signal in programmed time segments (750 samples)
- Current or voltage analogue output
- Communication in SCADA systems (RS485 / ModBus interface RTU and ASCII)

Cat No.	Description
NA3-FTRU0110008	NA3, with Bar Graph, 3 Colour Display, Red Display Colour, Universal I/P, RS485+1 Relay, 95-253V AC/DC Aux
NA3-FMGU0110008	NA3, with Bar Graph, 7 Colour Display, Green Display Colour, Universal I/P, RS485+1 Relay, 95-253V AC/DC Aux



## NA5 (Digital Meter with Bar Graph)

### Features

- 3 or 7- colour bargraph with programmable colour switching over
- Recording of 750 measuring segments , released temporary
- Universal input
- Programmable indication characteristic and bargraph magnifier
- Upto 8 programmable alarm outputs
- Communication in SCADA systems (RS-485 / ModBus interface)
- Conversion of measured quantity into an analogue standard signal for automation systems

Cat No.	Description
NA5-TBU11410008	NA5, 3 Colour Display, Blue Display Colour, Universal I/P, Analogue O/P, RS485, 4 Relay, 95-253V AC/DC
NA5-MGU11410008	NA5, 7 Colour Display, GREEN Display Colour, Universal I/P, Analogue O/P, RS485, 4 Relay, 95-253V AC/DC



## NA6 (Digital Meter with Bar Graph)

### Features

- 2 independent measuring channels with an universal input
- 3 or 7-colour bargraph with programmable colour switching over
- Recording of 750 measuring segments, released temporary
- Programmable indication characteristic and bargraph, magnifier
- Upto 8 programmable alarm outputs Mathematical operations on channels
- Communication in SCADA systems (RS485 / ModBus interface)
- Conversion of measured quantity into an analogue standard
- Signal for automation systems

Cat No.	Description
NA6-TBU11410008	NA6, 3 Colour Display, Display Red - Green, Analogue O/P 4-20mA, RS485, 4 Relay O/P, 95-253V AC/DC
NA6-MGU11410008	NA6, 7 Colour Display, Display Green Blue, Analogue O/P 4-20mA, RS485, 4 Relay O/P, 95-253V AC/DC





# Current Transformers

**Omega Series**

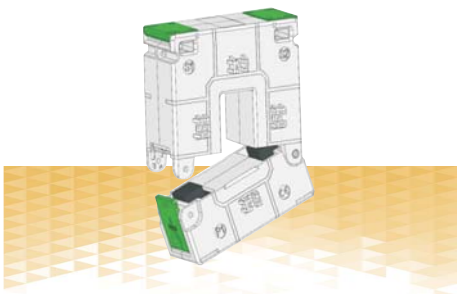
**Features**

- Compliant with IEC 6004-1. BS7626
- Flame retardant grade enclosure (UL 94V-0)
- Operation free installation
- Test voltage 3kV 50Hz 1min.
- System voltage 720V max.
- Ratio ratings from 100/5A to 3000/5A
- Available in 0.5, 1 and 2 accuracy class
- CT's manufactured as per IEC 60044-1
- Insulation class: E

Features given vary from product to product - for more detailed product specific info please visit our website [www.sifamtinsley.co.uk](http://www.sifamtinsley.co.uk)

## OMEGA 10 (Split Core CT's)

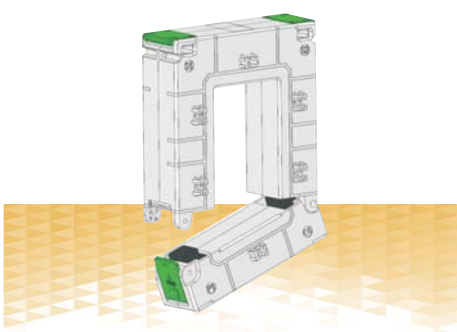
Omega series split core transformers offer a cost effective and efficient method by which the current can be measured without the need to break the conductor, thereby reducing installation and commissioning time.



### OMEGA 10A (93mm wide x 40mm deep x (33mm x 23mm) I.D.)

Cat No.	Ratio	VA at CL 1.0
XS01-185031S000000	100/5A	1.5VA
XS01-225221S000000	150/5A	1.75VA
XS01-245051S000000	200/5A	2.5VA
XS01-255071S000000	250/5A	3.75VA

Cat No.	Ratio	VA at CL 3.0
XS01-185073S000000	100/5A	3.5VA
XS01-225073S000000	150/5A	3.75VA
XS01-245083S000000	200/5A	5VA
XS01-255093S000000	250/5A	6.25VA



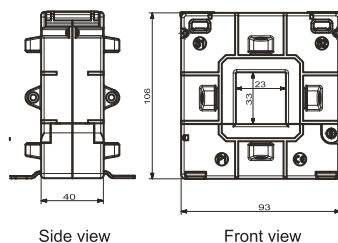
### OMEGA 10B (125mm wide x 40mm deep x (50mm x 80mm) I.D.)

Cat No.	Ratio	VA at CL 0.5
XS02-275015S000000	250/5A	1VA
XS02-285055S000000	300/5A	2.5VA
XS02-315055S000000	400/5A	2.5VA
XS02-325075S000000	500/5A	3.75VA
XS02-335085S000000	600/5A	5VA
XS02-375105S000000	800/5A	7.5VA
XS02-395115S000000	1000/5A	10VA

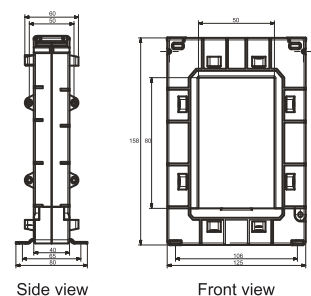
Cat No.	Ratio	VA at CL 1.0
XS02-275051S000000	250/5A	2.5VA
XS02-285071S000000	300/5A	3.75VA
XS02-315071S000000	400/5A	3.75VA
XS02-325081S000000	500/5A	5VA
XS02-335101S000000	600/5A	7.5VA
XS02-375111S000000	800/5A	10VA
XS02-395131S000000	1000/5A	15VA

## Dimensions

**OMEGA 10A**



**OMEGA 10B**



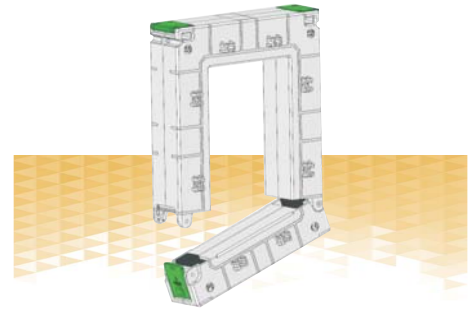
All dimensions are in mm



### OMEGA 10C (155mm wide x 40mm deep x (120mm x 80mm) I.D.)

Cat No.	Ratio	VA at CL 0.5
XS03-375105S000000	800/5A	7.5VA
XS03-395115S000000	1000/5A	10VA
XS03-405135S000000	1200/5A	15VA
XS03-415135S000000	1250/5A	15VA
XS03-425145S000000	1500/5A	20VA
XS03-435145S000000	1600/5A	20VA
XS03-445145S000000	2000/5A	20VA
XS03-465205S000000	2500/5A	25VA
XS03-485155S000000	3000/5A	30VA

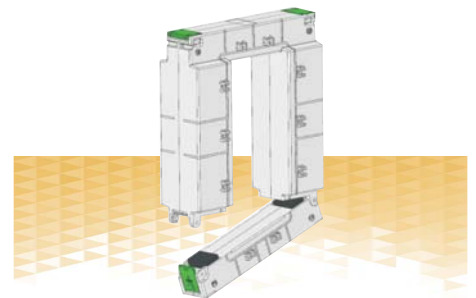
Cat No.	Ratio	VA at CL 1.0
XS03-375111S000000	800/5A	10VA
XS03-395131S000000	1000/5A	15VA
XS03-405151S000000	1200/5A	30VA
XS03-415151S000000	1250/5A	30VA
XS03-425161S000000	1500/5A	45VA
XS03-435161S000000	1600/5A	45VA
XS03-445161S000000	2000/5A	45VA
XS03-465161S000000	2500/5A	45VA
XS03-485161S000000	3000/5A	45VA



### OMEGA 10D (195mm wide x 64mm deep x (80mm x 160mm) I.D.)

Cat No.	Ratio	VA at CL 0.5
XS04-435145S000000	1600/5A	20VA
XS04-445205S000000	2000/5A	25VA
XS04-465205S000000	2500/5A	25VA
XS04-485155S000000	3000/5A	30VA
XS04-515155S000000	4000/5A	30VA
XS04-525155S000000	5000/5A	30VA

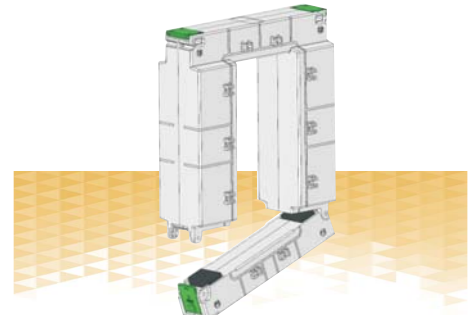
Cat No.	Ratio	VA at CL 1.0
XS04-435151S000000	800/5A	30VA
XS04-445151S000000	1000/5A	30VA
XS04-465151S000000	1200/5A	30VA
XS04-485161S000000	1250/5A	45VA
XS04-515161S000000	1500/5A	45VA
XS04-525161S000000	1600/5A	45VA



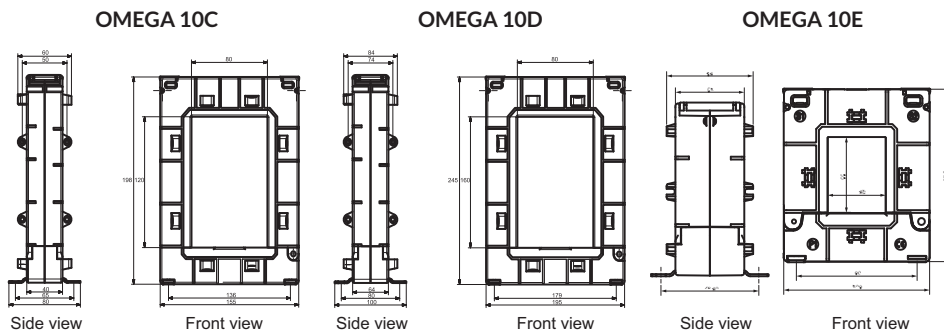
### OMEGA 10E (105mm wide x 50mm deep x (55mm x 43mm) I.D.)

Cat No.	Ratio	VA at CL 0.5
XS05-275055S000000	250/5A	2.5VA
XS05-285055S000000	300/5A	2.5VA
XS05-315085S000000	400/5A	5.0VA
XS05-325085S000000	500/5A	5.0VA
XS05-335095S000000	600/5A	6.25VA
XS05-375105S000000	800/5A	7.5VA

Cat No.	Ratio	VA at CL 1.0
XS05-275081S000000	250/5A	5VA
XS05-285081S000000	300/5A	5VA
XS05-315101S000000	400/5A	7.5VA
XS05-325101S000000	500/5A	7.5VA
XS05-335111S000000	600/5A	10VA
XS05-375121S000000	800/5A	12.5VA



## Dimensions



All dimensions are in mm

# Current Transformers

**Omega Series**

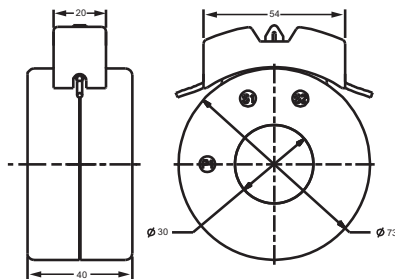
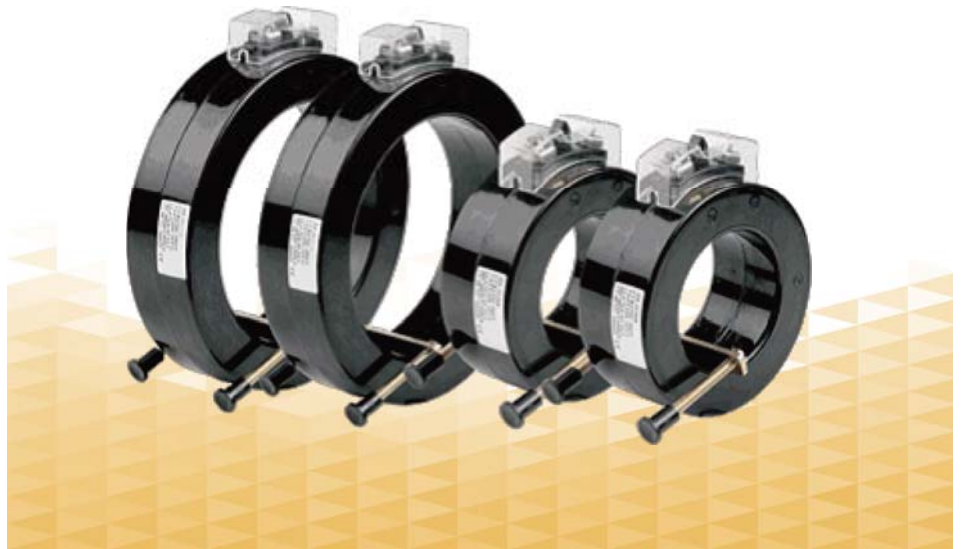
**Features**

- Available in 0.2S, 0.2, 0.5S, 0.5, 1, 3, 5 accuracy classes
- Cost effective polycarbonate case current transformer
- Wide range of sizes available for different bus bar sizes
- Various mounting options which include wall mounting, bus bar mounting, DIN rail mounting
- Wire sealable terminal covers

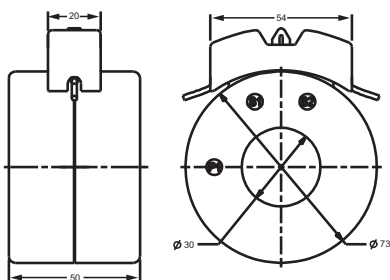
Features given vary from product to product - for more detailed product specific info please visit our website [www.sifamtinsley.co.uk](http://www.sifamtinsley.co.uk)

## OMEGA 20 (TW CT's)

Sifam Tinsley's Omega TW series round type CT's are housed in robust case with classical finish. The case is made of polycarbonate, which is flame retardant and non-drip and confirms to international regulations UL 94 V-0.



All dimensions are in mm



All dimensions are in mm

## OMEGA 20A (73mm O.D. x 40mm deep x 30mm I.D.)

Cat No.	Ratio	VA at CL 0.5
TW01-185035S000000	100/5A	1.5VA
TW01-195035S000000	120/5A	1.5VA
TW01-205055S000000	125/5A	2.5VA
TW01-225055S000000	150/5A	2.5VA
TW01-245085S000000	200/5A	5VA

Cat No.	Ratio	VA at CL 1.0
TW01-135031S000000	50/5A	1.5VA
TW01-145031S000000	60/5A	1.5VA
TW01-165031S000000	75/5A	1.5VA
TW01-185051S000000	100/5A	2.5VA
TW01-195051S000000	120/5A	2.5VA

## OMEGA 20B (73mm O.D. x 50mm deep x 30mm I.D.)

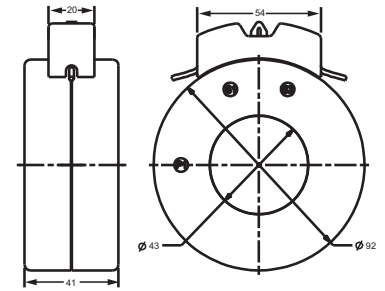
Cat No.	Ratio	VA at CL 0.5
TW02-165035S000000	75/5A	1.5VA
TW02-165035S000000	100/5A	2.5VA
TW02-195055S000000	120/5A	2.5VA
TW02-205055S000000	125/5A	2.5VA
TW02-225085S000000	150/5A	5VA
TW02-245115S000000	200/5A	10VA

Cat No.	Ratio	VA at CL 1.0
TW02-165051S000000	75/5A	2.5VA
TW02-185081S000000	100/5A	5VA
TW02-195081S000000	120/5A	5VA
TW02-205081S000000	125/5A	5VA
TW02-225111S000000	150/5A	10VA
TW02-245131S000000	200/5A	15VA

### OMEGA 20C (92mm O.D. x 41mm deep x 43mm I.D.)

Cat No.	Ratio	VA at CL 0.5
TW03-205015S000000	125/5A	1VA
TW03-225035S000000	150/5A	1.5VA
TW03-245085S000000	200/5A	5VA
TW03-275105S000000	250/5A	7.5VA
TW03-285115S000000	500/5A	10VA

Cat No.	Ratio	VA at CL 1.0
TW03-205051S000000	125/5A	2.5VA
TW03-225071S000000	150/5A	3.75VA
TW03-245111S000000	200/5A	10VA
TW03-275131S000000	250/5A	15VA
TW03-285141S000000	300/5A	20VA

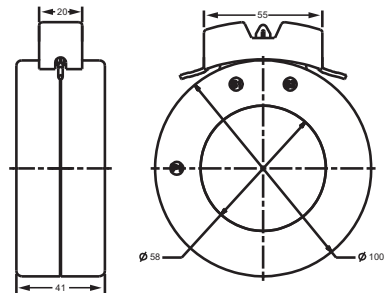


All dimensions are in mm

### OMEGA 20D (100mm O.D. x 41mm deep x 58mm I.D.)

Cat No.	Ratio	VA at CL 0.5
TW04-275075S000000	250/5A	3.75VA
TW04-285085S000000	300/5A	5VA
TW04-315115S000000	400/5A	10VA
TW04-325135S000000	500/5A	15VA
TW04-335135S000000	600/5A	15VA

Cat No.	Ratio	VA at CL 1.0
TW04-275101S000000	250/5A	7.5VA
TW04-285111S000000	300/5A	10VA
TW04-315141S000000	400/5A	20VA
TW04-325201S000000	500/5A	25VA
TW04-335201S000000	600/5A	25VA

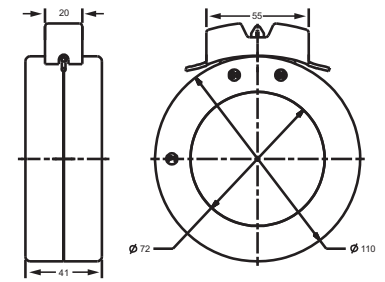


All dimensions are in mm

### OMEGA 20E (110mm O.D. x 41mm deep x 72mm I.D.)

Cat No.	Ratio	VA at CL 0.5
TW05-315105S000000	400/5A	7.5VA
TW05-325115S000000	500/5A	10VA
TW05-335115S000000	600/5A	10VA
TW05-375135S000000	800/5A	15VA
TW05-395135S000000	1000/5A	15VA

Cat No.	Ratio	VA at CL 1.0
TW05-315121S000000	400/5A	12.5VA
TW05-325131S000000	500/5A	15VA
TW05-335131S000000	600/5A	15VA
TW05-375151S000000	800/5A	30VA
TW05-395151S000000	1000/5A	30VA

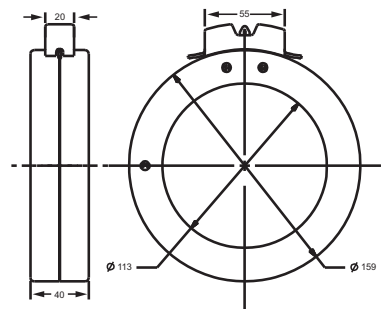


All dimensions are in mm

### OMEGA 20F (159mm O.D. x 40mm deep x 113mm I.D.)

Cat No.	Ratio	VA at CL 0.5
TW06-395115S000000	1000/5A	10VA
TW06-405145S000000	1200/5A	20VA
TW06-415145S000000	1250/5A	20VA
TW06-425145S000000	1500/5A	20VA
TW06-435145S000000	1600/5A	20VA
TW06-445205S000000	2000/5A	25VA
TW06-465205S000000	2500/5A	25VA
TW06-485155S000000	3000/5A	30VA
TW06-495155S000000	3500/5A	30VA

Cat No.	Ratio	VA at CL 1.0
TW06-395131S000000	1000/5A	15VA
TW06-405151S000000	1200/5A	30VA
TW06-415151S000000	1250/5A	30VA
TW06-425151S000000	1500/5A	30VA
TW06-435151S000000	1600/5A	30VA
TW06-445161S000000	2000/5A	45VA
TW06-465161S000000	2500/5A	45VA
TW06-485161S000000	3000/5A	45VA
TW06-495161S000000	3200/5A	45VA



All dimensions are in mm

# Current Transformers

**Omega Series**

**Features**

- Comprehensive class accuracy
- Cost effective moulded case current transformer
- Various mounting options including wall mounting, cable mounting, bus bar mounting and DIN rail mounting
- Available in 0.2 & 0.2s accuracy class
- Wire sealable terminal covers

Features given vary from product to product - for more detailed product specific info please visit our website [www.sifamtinsley.co.uk](http://www.sifamtinsley.co.uk)

## OMEGA XMER

OMEGA XMER CT's are square type and encapsulated with UL94V-0 approved polycarbonate. These metering CT's feature sealable terminal covers and a wide range of primary current ratings. Available in various, Bus bar sizes, case widths, and mounting options.



### LCTM 62/W (62mm wide x 40mm deep)

Cat No.	Ratio	VA at CL 0.5
XW01-045055S000000	5/5A	2.5VA
XW01-065055S000000	10/5A	2.5VA
XW01-075055S000000	15/5A	2.5VA
XW01-085055S000000	20/5A	2.5VA
XW01-105055S000000	30/5A	2.5VA

Cat No.	Ratio	VA at CL 1.0
XW01-045081S000000	5/5A	5VA
XW01-065081S000000	10/5A	5VA
XW01-075081S000000	15/5A	5VA
XW01-085081S000000	20/5A	5VA
XW01-105081S000000	30/5A	5VA



### LCTM 74/W (74mm wide x 45mm deep)

Cat No.	Ratio	VA at CL 0.5
XW02-045085S000000	5/5A	5VA
XW02-065085S000000	10/5A	5VA
XW02-075085S000000	15/5A	5VA
XW02-085085S000000	20/5A	5VA
XW02-105085S000000	30/5A	5VA
XW02-115085S000000	40/5A	5VA

Cat No.	Ratio	VA at CL 1.0
XW02-045111S000000	5/5A	5VA
XW02-065111S000000	10/5A	5VA
XW02-075111S000000	15/5A	5VA
XW02-085111S000000	20/5A	5VA
XW02-105111S000000	30/5A	5VA
XW02-115111S000000	40/5A	5VA



### LCTR 45/14 (45mm wide x 40mm deep x 14mm I.D.)

Cat No.	Ratio	VA at CL 0.5
XM01-175015S000000	80/5A	1VA
XM01-185035S000000	100/5A	1.5VA
XM01-195035S000000	120/5A	1.5VA
XM01-205055S000000	125/5A	2.5VA
XM01-225055S000000	150/5A	2.5VA
XM01-245075S000000	200/5A	3.75VA
XM01-285085S000000	300/5A	5VA
XM01-315085S000000	400/5A	5VA

Cat No.	Ratio	VA at CL 1.0
XM01-135031S000000	50/5A	1VA
XM01-145031S000000	50/5A	1.5VA
XM01-175051S000000	80/5A	2.5VA
XM01-185071S000000	100/5A	3.75VA
XM01-195071S000000	120/5A	3.75VA
XM01-205071S000000	125/5A	3.75VA
XM01-225081S000000	150/5A	5VA
XM01-245081S000000	200/5A	5VA

### LCTR 45/21 (45mm wide x 40mm deep x (21 x 10mm) I.D.)

Cat No.	Ratio	VA at CL 0.5
XM02-175015S000000	80/5A	1VA
XM02-185035S000000	100/5A	1.5VA
XM02-195035S000000	120/5A	1.5VA
XM02-225055S000000	150/5A	2.5VA
XM02-245055S000000	200/5A	2.5VA
XM02-285075S000000	300/5A	3.75VA
XM02-315085S000000	400/5A	5VA

Cat No.	Ratio	VA at CL 1.0
XM02-135031S000000	50/5A	1.5VA
XM02-145031S000000	60/5A	1.5VA
XM02-175051S000000	80/5A	2.5VA
XM02-185071S000000	100/5A	3.75VA
XM02-195071S000000	120/5A	3.75VA
XM02-225071S000000	150/5A	3.75VA
XM02-245081S000000	200/5A	5VA
XM02-285081S000000	300/5A	5VA
XM02-315081S000000	400/5A	5VA



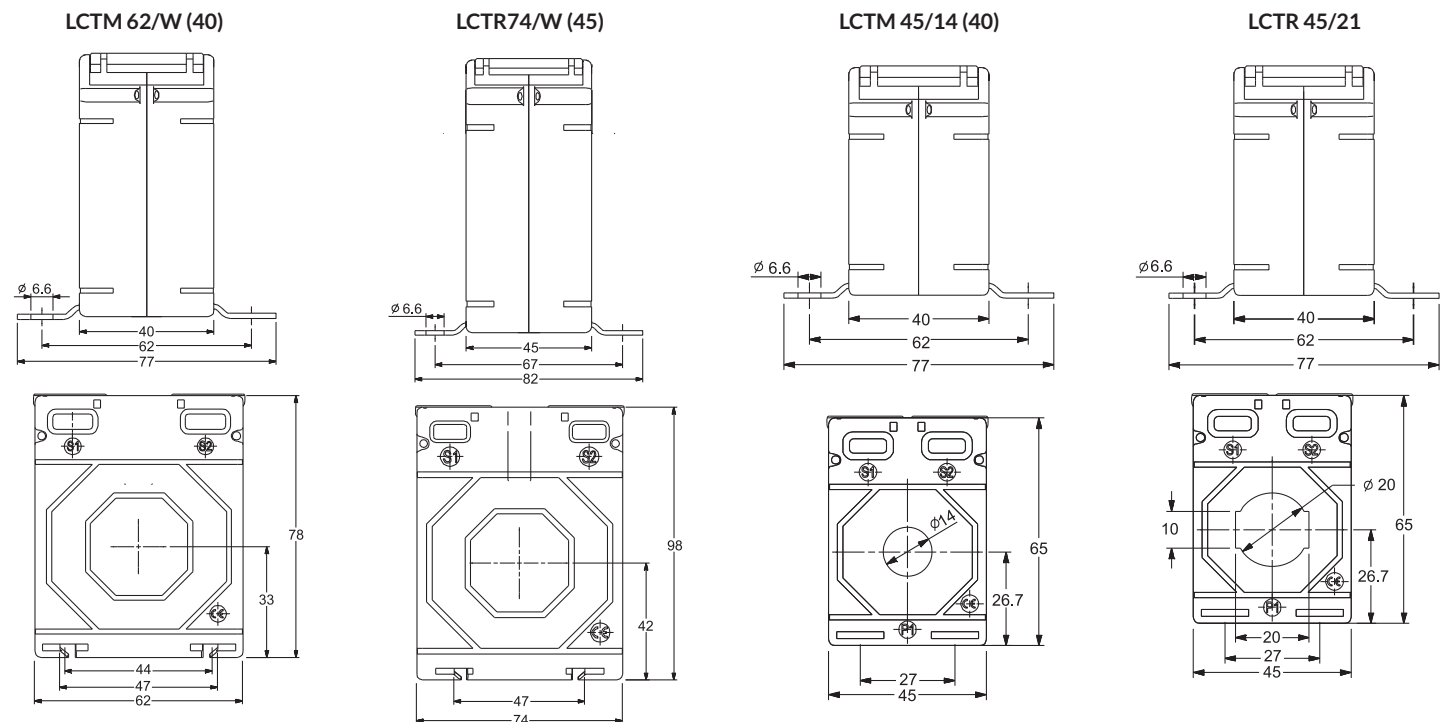
### LCTR 50/21 (30) (50mm wide x 30mm deep x (21 x 10mm) I.D.)

Cat No.	Ratio	VA at CL 0.5
XM05-175015S000000	80/5A	1VA
XM05-185035S000000	100/5A	1.5VA
XM05-205035S000000	125/5A	1.5VA
XM05-225055S000000	150/5A	2.5VA
XM05-245055S000000	200/5A	2.5VA
XM05-285075S000000	300/5A	3.75VA
XM05-315085S000000	400/5A	5VA

Cat No.	Ratio	VA at CL 1.0
XM05-175051S000000	80/5A	2.5VA
XM05-185051S000000	100/5A	2.5VA
XM05-205051S000000	125/5A	2.5VA
XM05-225081S000000	150/5A	5VA
XM05-245081S000000	200/5A	5VA
XM05-285101S000000	300/5A	7.5VA
XM05-315101S000000	400/5A	7.5VA



## Dimensions






**LCTB 50/30 (30) (50mm wide x 30mm deep x (30 x 10mm) I.D.)**

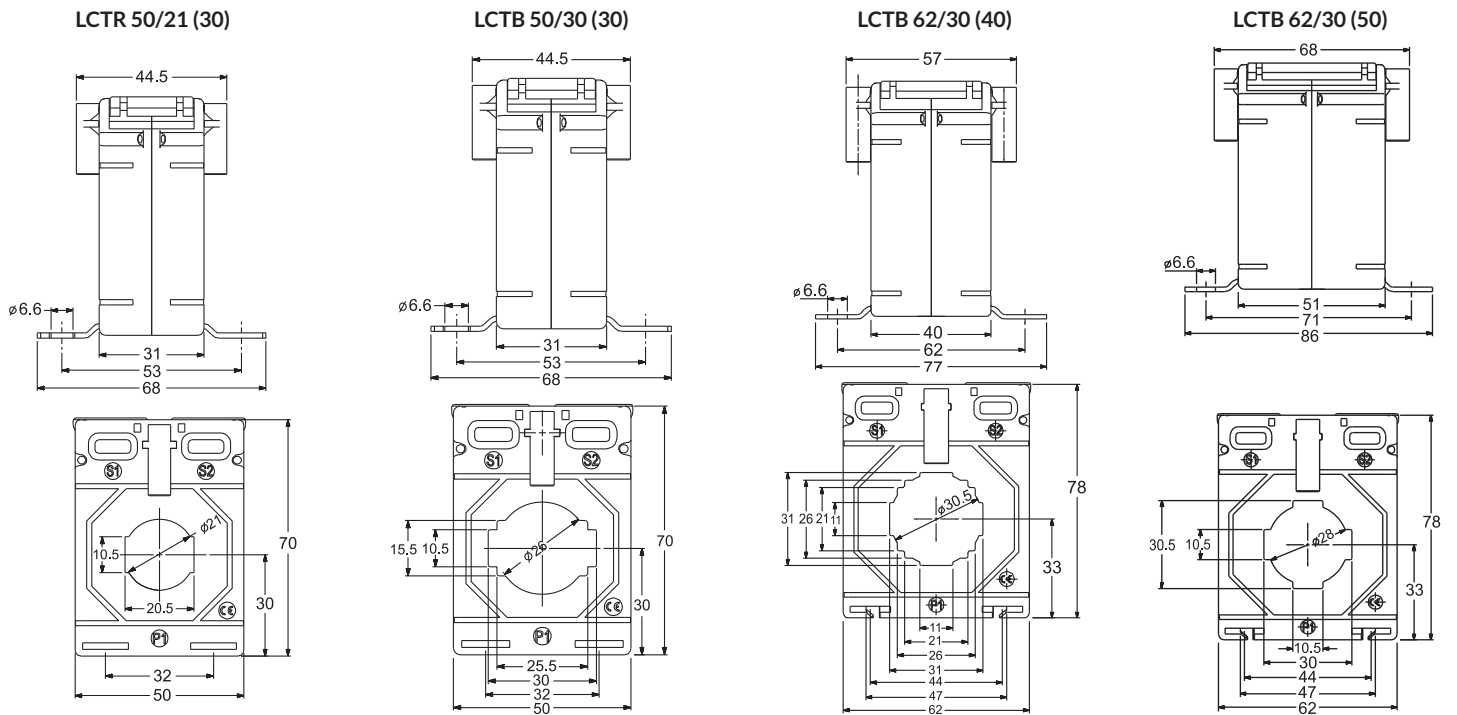
Cat No.	Ratio	VA at CL 0.5
XM07-185015S000000	100/5A	1VA
XM07-205015S000000	125/5A	1VA
XM07-225055S000000	150/5A	2.5VA
XM07-245055S000000	200/5A	2.5VA
XM07-285085S000000	300/5A	5VA
XM07-315085S000000	400/5A	5VA
XM07-325085S000000	500/5A	5VA
XM07-335085S000000	600/5A	5VA

Cat No.	Ratio	VA at CL 1.0
XM07-185051S000000	100/5A	2.5VA
XM07-205051S000000	125/5A	2.5VA
XM07-225071S000000	150/5A	3.75VA
XM07-245081S000000	200/5A	5VA
XM07-285081S000000	300/5A	5VA
XM07-315091S000000	400/5A	6.25VA
XM07-325091S000000	500/5A	6.25VA
XM07-335101S000000	600/5A	7.5VA


**LCTB 62/30 (62mm Wide x 40mm deep x (30 x 11mm) I.D.)**

Cat No.	Ratio	VA at CL 0.5
XM11-185035S000000	100/5A	1.5VA
XM11-205055S000000	125/5A	2.5VA
XM11-225075S000000	150/5A	3.75VA
XM11-245085S000000	200/5A	5VA
XM11-285085S000000	300/5A	5VA
XM11-315105S000000	400/5A	7.5VA
XM11-325115S000000	500/5A	10VA
XM11-335135S000000	600/5A	15VA

Cat No.	Ratio	VA at CL 1.0
XM11-185051S000000	100/5A	2.5VA
XM11-205071S000000	125/5A	3.75VA
XM11-225081S000000	150/5A	5VA
XM11-245101S000000	200/5A	7.5VA
XM11-285111S000000	300/5A	10VA
XM11-315121S000000	400/5A	12.5VA
XM11-325121S000000	500/5A	12.5VA
XM11-335131S000000	600/5A	15VA

**Dimensions**


### LCTB 62/30 (50) (62mm wide x 50mm deep x (30 x 11mm) I.D.)

Cat No.	Ratio	VA at CL 0.5	Cat No.	Ratio	VA at CL 1.0
XM12-185085S000000	100/5A	5VA	XM12-185081S000000	100/5A	5VA
XM12-205085S000000	125/5A	5VA	XM12-205081S000000	125/5A	5VA
XM12-225085S000000	150/5A	5VA	XM12-225101S000000	150/5A	7.5VA
XM12-245115S000000	200/5A	10VA	XM12-245131S000000	200/5A	15VA
XM12-285085S000000	300/5A	5VA	XM12-285131S000000	300/5A	15VA
XM12-315135S000000	400/5A	15VA	XM12-315131S000000	400/5A	15VA
XM12-325135S000000	500/5A	15VA	XM12-325131S000000	500/5A	15VA
XM12-335145S000000	600/5A	20VA	XM12-335141S000000	600/5A	20VA
XM12-365145S000000	750/5A	20VA	XM12-365141S000000	750/5A	20VA
XM12-375145S000000	800/5A	20VA	XM12-375141S000000	800/5A	20VA



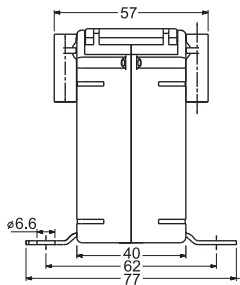
### LCTB 62/40 (62mm wide x 40mm deep x (40 x 11mm) I.D.)

Cat No.	Ratio	VA at CL 0.5	Cat No.	Ratio	VA at CL 1.0
XM13-245035S000000	200/5A	1.5VA	XM13-245071S000000	200/5A	1.5VA
XM13-285085S000000	300/5A	5VA	XM13-285081S000000	300/5A	5VA
XM13-315085S000000	400/5A	5VA	XM13-315081S000000	400/5A	5VA
XM13-325085S000000	500/5A	5VA	XM13-325101S000000	500/5A	7.5VA
XM13-335105S000000	600/5A	7.5VA	XM13-335111S000000	600/5A	10VA
XM13-365115S000000	750/5A	10VA	XM13-365111S000000	750/5A	10VA
XM13-375115S000000	800/5A	10VA	XM13-375111S000000	800/5A	10VA

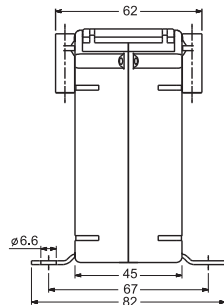


## Dimensions

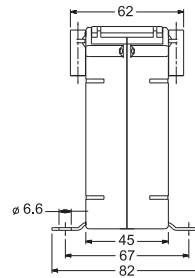
LCTB 62/40 (40)



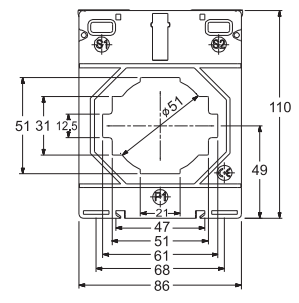
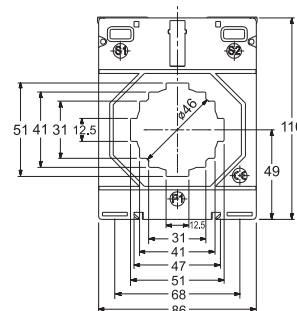
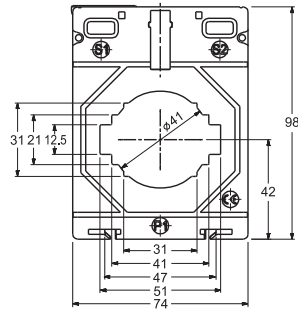
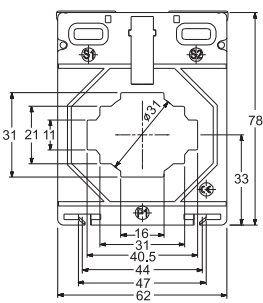
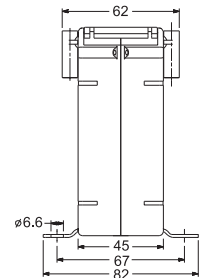
LCTB 74/50 (45)



LCTB 86/50 (45)



LCTB 86/60 (45)




**LCTB 74/50 (74mm wide x 45mm deep x (50 x 12mm) I.D.)**

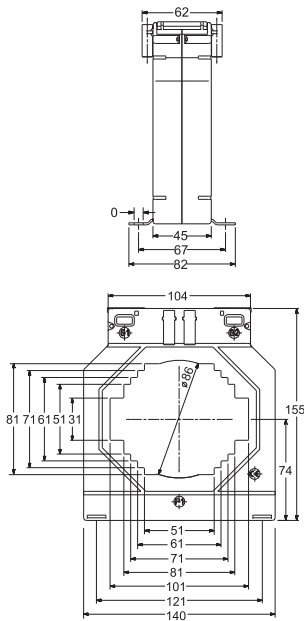
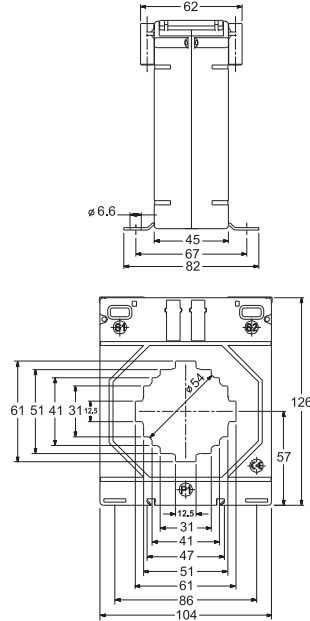
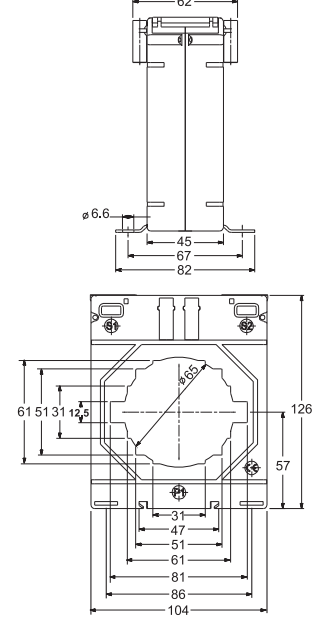
Cat No.	Ratio	VA at CL 0.5
XM17-245055S000000	200/5A	2.5VA
XM17-285085S000000	300/5A	5VA
XM17-315085S000000	400/5A	5VA
XM17-325105S000000	500/5A	7.5VA
XM17-335115S000000	600/5A	10VA
XM17-365125S000000	750/5A	12.5VA
XM17-375125S000000	800/5A	12.5VA
XM17-395125S000000	1000/5A	12.5VA

Cat No.	Ratio	VA at CL 1.0
XM17-245071S000000	200/5A	3.75VA
XM17-285081S000000	300/5A	5VA
XM17-315101S000000	400/5A	7.5VA
XM17-325111S000000	500/5A	10VA
XM17-335121S000000	600/5A	12.5VA
XM17-365131S000000	750/5A	15VA
XM17-375131S000000	800/5A	15VA
XM17-395131S000000	1000/5A	15VA


**LCTB 86/50 (86mm wide x 45mm deep x (50 x 12mm) I.D.)**

Cat No.	Ratio	VA at CL 0.5
XM19-285105S000000	300/5A	7.5VA
XM19-315135S000000	400/5A	15VA
XM19-325135S000000	500/5A	15VA
XM19-335135S000000	600/5A	15VA
XM19-365135S000000	750/5A	15VA
XM19-375145S000000	800/5A	20VA
XM19-395155S000000	1000/5A	30VA
XM19-405155S000000	1200/5A	30VA
XM19-415155S000000	1250/5A	30VA

Cat No.	Ratio	VA at CL 1.0
XM19-285111S000000	300/5A	10VA
XM19-315131S000000	400/5A	15VA
XM19-325141S000000	500/5A	20VA
XM19-335141S000000	600/5A	20VA
XM19-365141S000000	750/5A	20VA
XM19-375151S000000	800/5A	30VA
XM19-395151S000000	1000/5A	30VA
XM19-405151S000000	1200/5A	30VA
XM19-415151S000000	1250/5A	30VA

**Dimensions**
**LCTB 140/100H (45)**

**LCTB 104/60 (45)**

**LCTB 104/80 (45)**


### LCTB 86/60 (86mm wide x 45mm deep x (60 x 12mm) I.D.)

Cat No.	Ratio	VA at CL 0.5
XM20-335135S000000	600/5A	15VA
XM20-365135S000000	750/5A	15VA
XM20-375145S000000	800/5A	20VA
XM20-395145S000000	1000/5A	20VA
XM20-405145S000000	1200/5A	20VA
XM20-415145S000000	1250/5A	20VA
XM20-425145S000000	1500/5A	20VA
XM20-435145S000000	1600/5A	20VA

Cat No.	Ratio	VA at CL 1.0
XM20-335131S000000	600/5A	15VA
XM20-365141S000000	750/5A	20VA
XM20-375141S000000	800/5A	20VA
XM20-395141S000000	1000/5A	20VA
XM20-405141S000000	1200/5A	20VA
XM20-415141S000000	1250/5A	20VA
XM20-425141S000000	1500/5A	20VA
XM20-435141S000000	1600/5A	20VA



### LCTB 140/100H (140mm wide x 45mm deep x (100 x 30mm) I.D.)

Cat No.	Ratio	VA at CL 0.5
XM24-375135S000000	800/5A	15VA
XM24-395135S000000	1000/5A	15VA
XM24-405135S000000	1200/5A	15VA
XM24-415135S000000	1250/5A	15VA
XM24-425155S000000	1500/5A	30VA
XM24-435165S000000	1600/5A	45VA
XM24-445165S000000	2000/5A	45VA
XM24-466165S000000	2500/5A	45VA
XM24-485175S000000	3000/5A	60VA

Cat No.	Ratio	VA at CL 1.0
XM24-375141S000000	800/5A	20VA
XM24-395141S000000	1000/5A	20VA
XM24-405151S000000	1200/5A	30VA
XM24-415151S000000	1250/5A	30VA
XM24-425151S000000	1500/5A	30VA
XM24-435161S000000	1600/5A	45VA
XM24-445161S000000	2000/5A	45VA
XM24-466161S000000	2500/5A	45VA
XM24-485171S000000	3000/5A	60VA



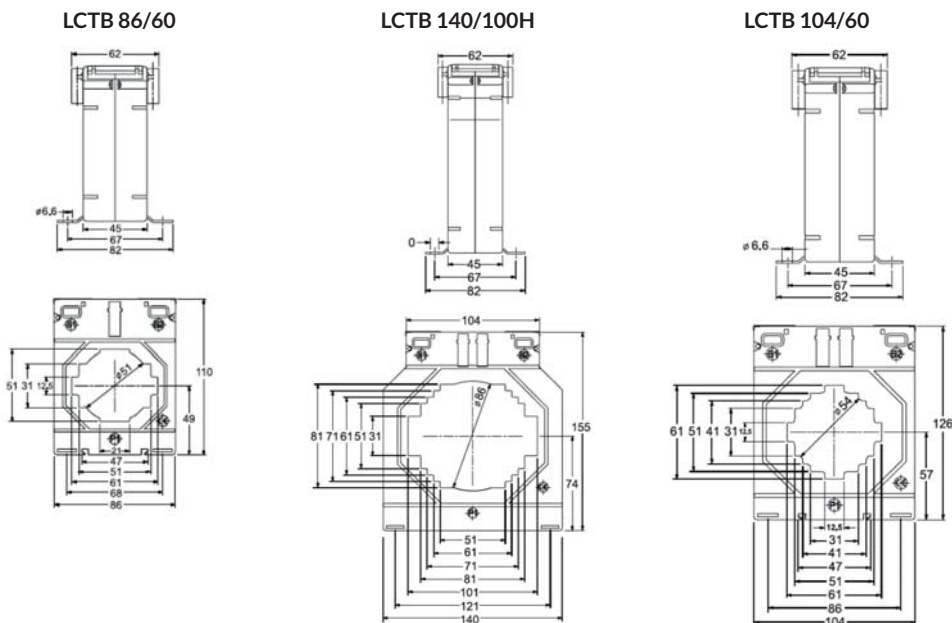
### LCTB 104/60 (104mm wide x 45mm deep x (60 x 12mm) I.D.)

Cat No.	Ratio	VA at CL 0.5
XM21-335135S000000	600/5A	15VA
XM21-365145S000000	750/5A	20VA
XM21-375155S000000	800/5A	30VA
XM21-395155S000000	1000/5A	30VA
XM21-405155S000000	1200/5A	30VA
XM21-415155S000000	1250/5A	30VA
XM21-425155S000000	1500/5A	30VA
XM21-365155S000000	1600/5A	30VA

Cat No.	Ratio	VA at CL 1.0
XM21-335151S000000	600/5A	30VA
XM21-365151S000000	750/5A	30VA
XM21-375151S000000	800/5A	30VA
XM21-395161S000000	1000/5A	45VA
XM21-405161S000000	1200/5A	45VA
XM21-415161S000000	1250/5A	45VA
XM21-425161S000000	1500/5A	45VA
XM21-365161S000000	1600/5A	45VA



## Dimensions





### LCTB 104/80 (104mm wide x 45mm deep x (80 x 12mm) I.D.)

Cat No.	Ratio	VA at CL 0.5
XM22-375115S000000	800/5A	10VA
XM22-395145S000000	1000/5A	20VA
XM22-405145S000000	1200/5A	20VA
XM22-415145S000000	1250/5A	20VA
XM22-425145S000000	15000/5A	20VA
XM22-435145S000000	16000/5A	20VA
XM22-445145S000000	20000/5A	20VA

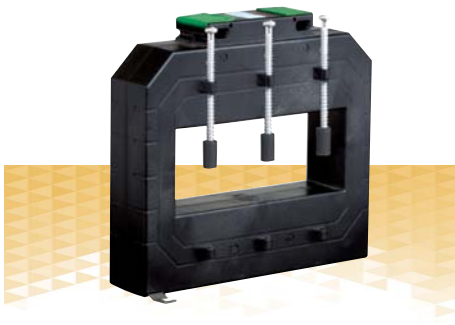
Cat No.	Ratio	VA at CL 1.0
XM22-375131S000000	800/5A	15VA
XM22-395141S000000	1000/5A	20VA
XM22-405151S000000	1200/5A	30VA
XM22-415151S000000	1250/5A	30VA
XM22-425151S000000	1500/5A	30VA
XM22-435151S000000	1600/5A	30VA
XM22-445151S000000	2000/5A	30VA



### LCTB 140/80 (140mm wide x 45mm deep x (80mm x 30mm) I.D.)

Cat No.	Ratio	VA at CL 0.5
XM23-375135S000000	800/5A	15VA
XM23-395155S000000	1000/5A	30VA
XM23-405155S000000	1200/5A	30VA
XM23-415175S000000	1250/5A	60VA
XM23-425175S000000	1500/5A	60VA
XM23-435175S000000	1600/5A	60VA
XM23-445175S000000	2000/5A	60VA

Cat No.	Ratio	VA at CL 1.0
XM23-375161S000000	800/5A	45VA
XM23-395171S000000	1000/5A	60VA
XM23-405171S000000	1200/5A	60VA
XM23-415171S000000	1250/5A	60VA
XM23-425171S000000	1500/5A	60VA
XM23-435171S000000	1600/5A	60VA
XM23-445171S000000	2000/5A	60VA



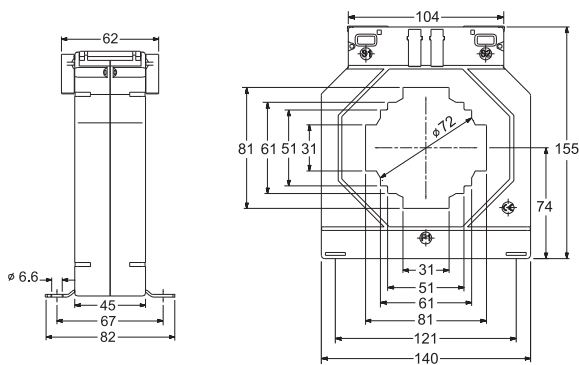
### LCTB 225/125 (225mm wide x 50mm deep x (167mm x 66mm) I.D.)

Cat No.	Ratio	VA at CL 0.5
XR04-445135S000000	2000/5A	15VA
XR04-465155S000000	2500/5A	30VA
XR04-485155S000000	3000/5A	30VA
XR04-515165S000000	4000/5A	45VA
XR04-525185S000000	5000/5A	100VA
XR04-535185S000000	6000/5A	100VA

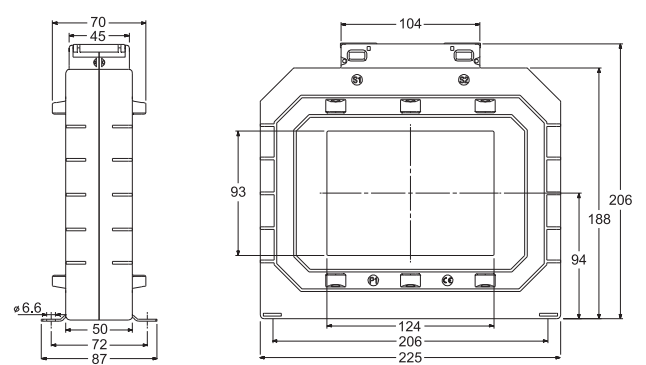
Cat No.	Ratio	VA at CL 1.0
XR04-445151S000000	2000/5A	30VA
XR04-465151S000000	2500/5A	30VA
XR04-485171S000000	3000/5A	60VA
XR04-515171S000000	4000/5A	60VA
XR04-525181S000000	5000/5A	100VA
XR04-535181S000000	6000/5A	100VA

## Dimensions

LCTB 140/80 (45)



LCTB 225/125





## Polycarbonate Case Having UL 94 V-0

OMEGA XMER square type CT's are housed in robust case with classical finish. The case is made of polycarbonate, which is flame retardant and non-drip and confirms to international regulations UL 94 V-0. Polycarbonate is a very tough and light weight engineering plastic material which has got the best mechanical properties very close to a metallic housing.

## Main Types of XMER Series CT's

There are two main types of OMEGA XMER CT's. The first one is OMEGA XMER wound primary series CT's which consists of both primary and secondary windings. This type has two sizes 62/W (40) and 74/W (40).

The second type is OMEGA XMER series window type CT's which consists of secondary winding and primary has to be wound through the hole provided. This type has many sizes according to standard bus-bar sizes.

## Some Important Terms Used in XMER CT's

**Current Error (Ratio Error):-** The error with a transformer introduces into the measurement of current and which arises from the fact that actual transformation ratio is not equal to the rated transformation ratio.

**Phase Displacement:-** The difference in phase between the primary and secondary current vectors, the direction of the vectors being so chosen that the angle is zero for the perfect transformer. The phase displacement is said to be positive when the secondary current vector leads the primary current vector. It is usually expressed in minutes.

**Composite Error :-** Composite error is the resulting limitation of the harmonic content of the secondary current which is necessary for the correct operation of certain types of relays.

**Accuracy Class:-** A designation assigned to a current transformer the errors of which remain within specified limit under prescribed conditions of use.

**Rated Burden:-** The impedance of the secondary circuit on which the accuracy requirements are based. It is usually expressed as apparent power (in VA), at the rated secondary current and at a specified power factor.

**Rated Output:-** The value of the apparent power (in volt-amperes at a specified power factor) which the current transformer is intended to supply to the secondary circuit at the rated secondary current and with rated burden connected to it.

**Highest System Voltage:-** The highest rms line to line voltage which can be sustained under normal operating conditions at any time and at any point on the system. It excludes temporary voltage variations due to fault condition and the sudden disconnection of large loads.

**Rated Insulation Level:-** That combination of voltage values (power frequency and lightning impulse, or where applicable, lightning and switching impulse) which characterizes the insulation of a transformer with regard to its capability to withstand by dielectric stresses. For low voltage transformer the test voltage 4kV, at power-frequency, applied during 1 minute.

**Rated Short Time Thermal Current (I<sub>th</sub>):-** The RMS value of the primary current which the current transformer will withstand for a rated time, with their secondary winding short circuits without suffering harmful effects.

**Rated Dynamic Current (I<sub>dyn</sub>):-** The peak value of the primary current which a current transformer will withstand, without being damaged electrically for mechanically by the resulting electromagnetic forces, the secondary winding being short-circuited.

**Rated Continuous Thermal Current:-** The value of current which can be permitted to flow continuously in the primary winding, the secondary windings being connected to the rated burdens, without the temperature rise exceeding the specified values.

**Instrument Security Factor (ISF):-** The ratio of rated instrument limit primary current to the rated primary current. The times that the primary current must be higher than the rated value, for the composite error of a measuring current transformer to be equal to or greater than 10%, the secondary burden being equal to the rated burden. The lower this number is, the more protected the connected instrument are against.

# Analogue Panel Meters

Traditional DIN specification panel meters are available as 90° moving iron or moving coil/rectifies. **These can be further modified to customer's exact requirements**, to include; polycarbonate windows, red supplementary pointers, coloured bands, etc. (Please see Options & Spare Parts on page 36).

## Features

- 10% to 100% measurement range in MI type meters
- Easy and quick interchangeable scale
- Unique mounting system with easy replacement of glass and bezel knife edge pointer
- Self-lifting terminal screw
- Case with classic finish made of 10% glass filled polycarbonate (UL 94 V-0 approval)
- Nearly linear scale for MI type meters

Features given vary from product to product - for more detailed product specific info please visit our website [www.sifamtinsley.co.uk](http://www.sifamtinsley.co.uk)



## SiDE 48x48 (Ammeters Direct Connected)

Cat No.	Description	Class
EQ44-I1112N1CAW0ST	5A, Scale 0-5A	CL-1
EQ44-I1312N1CAW0ST	10A, Scale 0-10A	CL-1
EQ44-I1412N1CAW0ST	15A, Scale 0-15A	CL-1
EQ44-I1512N1CAW0ST	20A, Scale 0-20A	CL-1
EQ44-I1612N1CAW0ST	25A, Scale 0-25A	CL-1
EQ44-I1812N1CAW0ST	40A, Scale 0-40A	CL-1
EQ44-I2012N1CAW0ST	60A, Scale 0-60A	CL-1

## SiDE 48x48 (Ammeters X2 - Suppression)

Cat No.	Description	Class
EQ44-I1122N1CAW0ST	5A, Scale 0-5A (X2)	CL-1
EQ44-I1322N1CAW0ST	10A, Scale 0-10A (X2)	CL-1
EQ44-I1422N1CAW0ST	15A, Scale 0-15A (X2)	CL-1
EQ44-I1522N1CAW0ST	20A, Scale 0-20A (X2)	CL-1
EQ44-I1622N1CAW0ST	25A, Scale 0-25A (X2)	CL-1
EQ44-I1822N1CAW0ST	40A, Scale 0-40A (X2)	CL-1
EQ44-I2022N1CAW0ST	60A, Scale 0-60A (X2)	CL-1

## SiDE 48x48 (Ammeters X6 - Suppression)

Cat No.	Description	Class
EQ44-I1162N1CAW0ST	5A, Scale 0-5A (X6)	CL-1
EQ44-I1362N1CAW0ST	10A, Scale 0-10A (X6)	CL-1
EQ44-I1462N1CAW0ST	15A, Scale 0-15A (X6)	CL-1
EQ44-I1562N1CAW0ST	20A, Scale 0-20A (X6)	CL-1
EQ44-I1662N1CAW0ST	25A, Scale 0-25A (X6)	CL-1
EQ44-I1862N1CAW0ST	40A, Scale 0-40A (X6)	CL-1
EQ44-I2062N1CAW0ST	60A, Scale 0-60A (X6)	CL-1

## SiDE (Moving Iron AC Meter)

### SiDE 48x48 (Ammeters/5A CT Operated)

Cat No.	Description	Class
EQ44-I1112N1CAW0ST	5A, Scale 0-A (As Required)	CL-1

### SiDE 48x48 (Ammeters/5A CT Operated with Suppression)

Cat No.	Description	Class
EQ44-I1122N1CAW0ST	5A, Scale 0-5A (X2)	CL-1
EQ44-I1162N1CAW0ST	5A, Scale 0-5A (X6)	CL-1

### SiDE 72x72 (Ammeters Direct Connected)

Cat No.	Description	Class
EQ74-I1112N1CAW0ST	5A, Scale 0-5A	CL-1
EQ74-I11312N1CAW0ST	10A, Scale 0-10A	CL-1
EQ74-I11412N1CAW0ST	15A, Scale 0-15A	CL-1
EQ74-I11512N1CAW0ST	20A, Scale 0-20A	CL-1
EQ74-I11612N1CAW0ST	25A, Scale 0-25A	CL-1
EQ74-I11812N1CAW0ST	40A, Scale 0-40A	CL-1
EQ74-I2012N1CAW0ST	60A, Scale 0-60A	CL-1

### SiDE 72x72 (Ammeters X6 - Suppression)

Cat No.	Description	Class
EQ74-I1162N1CAW0ST	5A, Scale 0-5A (X6)	CL-1
EQ74-I11362N1CAW0ST	10A, Scale 0-10A (X6)	CL-1
EQ74-I11462N1CAW0ST	15A, Scale 0-15A (X6)	CL-1
EQ74-I11562N1CAW0ST	20A, Scale 0-20A (X6)	CL-1
EQ74-I11662N1CAW0ST	25A, Scale 0-25A (X6)	CL-1
EQ74-I11862N1CAW0ST	40A, Scale 0-40A (X6)	CL-1
EQ74-I2062N1CAW0ST	60A, Scale 0-60A (X6)	CL-1

### SiDE 72x72 (Ammeters X 2 - Suppression)

Cat No.	Description	Class
EQ74-I1122N1CAW0ST	5A, Scale 0-5A (X2)	CL-1
EQ74-I11322N1CAW0ST	10A, Scale 0-10A (X2)	CL-1
EQ74-I11422N1CAW0ST	15A, Scale 0-15A (X2)	CL-1
EQ74-I11522N1CAW0ST	20A, Scale 0-20A (X2)	CL-1
EQ74-I11622N1CAW0ST	25A, Scale 0-25A (X2)	CL-1
EQ74-I11822N1CAW0ST	40A, Scale 0-40A (X2)	CL-1
EQ74-I2022N1CAW0ST	60A, Scale 0-60A (X2)	CL-1

### SiDE 72x72 (Ammeters/5A CT Operated)

Cat No.	Description	Class
EQ74-I1112N1CAW0ST	5A, Scale 0 -...A (As Required)	CL-1

### SiDE 72x72 (Ammeters/5A CT Operated with Suppression)

Cat No.	Description	Class
EQ74-I1122N1CAW0ST	5A, Scale 0 -A (As Required) (X2)	CL-1
EQ74-I1162N1CAW0ST	5A, Scale 0 -A (As Required) (X6)	CL-1

### SiDE 96x96 (Ammeters Direct Connected)

Cat No.	Description	Class
EQ94-I1112N1CAW0ST	5A, Scale 0-5A	CL-1
EQ94-I1312N1CAW0ST	10A, Scale 0-10A	CL-1
EQ94-I1412N1CAW0ST	15A, Scale 0-15A	CL-1
EQ94-I1512N1CAW0ST	20A, Scale 0-20A	CL-1
EQ94-I1612N1CAW0ST	25A, Scale 0-25A	CL-1
EQ94-I1812N1CAW0ST	40A, Scale 0-40A	CL-1
EQ94-I2012N1CAW0ST	60A, Scale 0-60A	CL-1

### SiDE 96x96 (Ammeters X 2 - Suppression)

Cat No.	Description	Class
EQ94-I1122N1CAW0ST	5A, Scale 0-5A (X2)	CL-1
EQ94-I1322N1CAW0ST	10A, Scale 0-10A (X2)	CL-1
EQ94-I1422N1CAW0ST	15A, Scale 0-15A (X2)	CL-1
EQ94-I1522N1CAW0ST	20A, Scale 0-20A (X2)	CL-1
EQ94-I1622N1CAW0ST	25A, Scale 0-25A (X2)	CL-1
EQ94-I1822N1CAW0ST	40A, Scale 0-40A (X2)	CL-1
EQ94-I2022N1CAW0ST	60A, Scale 0-60A (X2)	CL-1

### SiDE 96x96 (Ammeters X6 - Suppression)

Cat No.	Description	Class
EQ94-I1162N1CAW0ST	5A, Scale 0-5A (X6)	CL-1
EQ94-I1362N1CAW0ST	10A, Scale 0-10A (X6)	CL-1
EQ94-I1462N1CAW0ST	15A, Scale 0-15A (X6)	CL-1
EQ94-I1562N1CAW0ST	20A, Scale 0-20A (X6)	CL-1
EQ94-I1662N1CAW0ST	25A, Scale 0-25A (X6)	CL-1
EQ94-I1862N1CAW0ST	40A, Scale 0-40A (X6)	CL-1
EQ94-I2062N1CAW0ST	60A, Scale 0-60A (X6)	CL-1

### SiDE 96x96 (Ammeters/5A CT Operated)

Cat No.	Description	Class
EQ94-I1112N1CAW0ST	5A, Scale 0 -A (As Required)	CL-1

### SiDE 96x96 (Ammeters/5A CT Operated with Suppression)

Cat No.	Description	Class
EQ94-I1122N1CAW0ST	5A, Scale 0 -A (As Required) (X2)	CL-1
EQ94-I1162N1CAW0ST	5A, Scale 0 -A (As Required) (X6)	CL-1

### SiDE 48x48 (Voltmeter)

Cat No.	Description	Class
EQ44-V60X2N1CAW0ST	120V, Scale 0-120V	CL-1
EQ44-V61X2N1CAW0ST	132V, Scale 0-132V	CL-1
EQ44-V63X2N1CAW0ST	150V, Scale 0-150V	CL-1
EQ44-V65X2N1CAW0ST	200V, Scale 0-200V	CL-1
EQ44-V66X2N1CAW0ST	230V, Scale 0-230V	CL-1
EQ44-V67X2N1CAW0ST	250V, Scale 0-250V	CL-1
EQ44-V68X2N1CAW0ST	300V, Scale 0-300V	CL-1
EQ44-V69X2N1CAW0ST	400V, Scale 0-400V	CL-1
EQ44-V70X2N1CAW0ST	500V, Scale 0-500V	CL-1
EQ44-V71X2N1CAW0ST	600V, Scale 0-600V	CL-1



### SiDE 72x72 (Voltmeter)

Cat No.	Description	Class
EQ74-V60X2N1CAW0ST	120V, Scale 0-120V	CL-1
EQ74-V61X2N1CAW0ST	132V, Scale 0-132V	CL-1
EQ74-V63X2N1CAW0ST	150V, Scale 0-150V	CL-1
EQ74-V65X2N1CAW0ST	200V, Scale 0-200V	CL-1
EQ74-V66X2N1CAW0ST	230V, Scale 0-230V	CL-1
EQ74-V67X2N1CAW0ST	250V, Scale 0-250V	CL-1
EQ74-V68X2N1CAW0ST	300V, Scale 0-300V	CL-1
EQ74-V69X2N1CAW0ST	400V, Scale 0-400V	CL-1
EQ74-V70X2N1CAW0ST	500V, Scale 0-500V	CL-1
EQ74-V71X2N1CAW0ST	600V, Scale 0-600V	CL-1

### SiDE 96x96 (Voltmeter)

Cat No.	Description	Class
EQ94-V60X2N1CAW0ST	120V, Scale 0-120V	CL-1
EQ94-V61X2N1CAW0ST	132V, Scale 0-132V	CL-1
EQ94-V63X2N1CAW0ST	150V, Scale 0-150V	CL-1
EQ94-V65X2N1CAW0ST	200V, Scale 0-200V	CL-1
EQ94-V66X2N1CAW0ST	230V, Scale 0-230V	CL-1
EQ94-V67X2N1CAW0ST	250V, Scale 0-250V	CL-1
EQ94-V68X2N1CAW0ST	300V, Scale 0-300V	CL-1
EQ94-V69X2N1CAW0ST	400V, Scale 0-400V	CL-1
EQ94-V70X2N1CAW0ST	500V, Scale 0-500V	CL-1
EQ94-V71X2N1CAW0ST	600V, Scale 0-600V	CL-1

### SiDS (Moving Coil DC Meter)

#### SiDS 48x48 (Ammeters Direct Connected)

Cat No.	Description	Class
PQ44-I12L2N1CAW0ST	1mA DC Indicator	CL-1
PQ44-I13L2N1CAW0ST	1.5mA DC Indicator	CL-1
PQ44-I14L2N1CAW0ST	2.5mA DC Indicator	CL-1
PQ44-I16L2N1CAW0ST	5mA DC Indicator	CL-1
PQ44-I17L2N1CAW0ST	6mA DC Indicator	CL-1
PQ44-I18L2N1CAW0ST	10mA DC Indicator	CL-1
PQ44-I19L2N1CAW0ST	15mA DC Indicator	CL-1
PQ44-I20L2N1CAW0ST	20mA DC Indicator	CL-1
PQ44-I22L2N1CAW0ST	40mA DC Indicator	CL-1
PQ44-I23L2N1CAW0ST	60mA DC Indicator	CL-1
PQ44-I42L2N1CAW0ST	4-20mA DC Indicator	CL-1

#### SiDS 48x48 (Ammeters Shunt Operated)

Cat No.	Description	Class
PQ44-V0FL2N1CAW0ST	75mV Shunt Operated, (0-A) (As Required)	CL-1
e.g. - 75mV Meters, 0-10A Scale - 75mV Meters, 0-80A Scale	- 75mV Meters, 0-20A Scale - 75mV Meters, 0-150A Scale	



### SiDS 72x72 (Ammeters Direct Connected)

Cat No.	Description	Class
PQ74-I12L2N1CAW0ST	1mA DC Indicator	CL-1
PQ74-I13L2N1CAW0ST	1.5mA DC Indicator	CL-1
PQ74-I14L2N1CAW0ST	2.5mA DC Indicator	CL-1
PQ74-I16L2N1CAW0ST	5mA DC Indicator	CL-1
PQ74-I17L2N1CAW0ST	6mA DC Indicator	CL-1
PQ74-I18L2N1CAW0ST	10mA DC Indicator	CL-1
PQ74-I19L2N1CAW0ST	15mA DC Indicator	CL-1
PQ74-I20L2N1CAW0ST	20mA DC Indicator	CL-1
PQ74-I22L2N1CAW0ST	40mA DC Indicator	CL-1
PQ74-I23L2N1CAW0ST	60mA DC Indicator	CL-1
PQ74-I42L2N1CAW0ST	4-20mA DC Indicator	CL-1

### SiDS 72x72 (Ammeters Shunt Operated)

Cat No.	Description	Class
PQ74-V0FL2N1CAW0ST	75mV Shunt Operated, (0-A) (As Required)	CL-1
e.g. - 75mV Meters, 0-10A Scale - 75mV Meters, 0-80A Scale	- 75mV Meters, 0-20A Scale - 75mV Meters, 0-150A Scale	

### SiDS 96x96 (Ammeters Direct Connected)

Cat No.	Description	Class
PQ94-I12L2N1CAW0ST	1mA DC Indicator	CL-1
PQ94-I13L2N1CAW0ST	1.5mA DC Indicator	CL-1
PQ94-I14L2N1CAW0ST	2.5mA DC Indicator	CL-1
PQ94-I16L2N1CAW0ST	5mA DC Indicator	CL-1
PQ94-I17L2N1CAW0ST	6mA DC Indicator	CL-1
PQ94-I18L2N1CAW0ST	10mA DC Indicator	CL-1
PQ94-I19L2N1CAW0ST	15mA DC Indicator	CL-1
PQ94-I20L2N1CAW0ST	20mA DC Indicator	CL-1
PQ94-I22L2N1CAW0ST	40mA DC Indicator	CL-1
PQ94-I23L2N1CAW0ST	60mA DC Indicator	CL-1
PQ94-I42L2N1CAW0ST	4-20mA DC Indicator	CL-1

### SiDS 96x96 (Ammeters Shunt Operated)

Cat No.	Description	Class
PQ94-V0FL2N1CAW0ST	75mV Shunt Operated, (0-A) (As Required)	CL-1
e.g.- 75mV Meters, 0-10A Scale - 75mV Meters, 0-400A Scale - 75mV Meters, 0-150A Scale	- 75mV Meters, 0-80A Scale - 75mV Meters, 0-20A Scale - 75mV Meters, 0-1000A Scale	

### SiDS 48x48 (Voltmeter)

Cat No.	Description	Class
PQ44-VOSL2N1CAW0ST	0-10V DC Voltmeter	CL-1
PQ44-VOTL2N1CAW0ST	0-15V DC Voltmeter	CL-1
PQ44-VOVL2N1CAW0ST	0-30V DC Voltmeter	CL-1
PQ44-VOXL2N1CAW0ST	0-50V DC Voltmeter	CL-1
PQ44-VOYL2N1CAW0ST	0-60V DC Voltmeter	CL-1
PQ44-VOZL2N1CAW0ST	0-100V DC Voltmeter	CL-1
PQ44-V1AL2N1CAW0ST	0-150V DC Voltmeter	CL-1

### SiDS 72x72 (Voltmeter)

Cat No.	Description	Class
PQ74-VOSL2N1CAW0ST	0-10V DC Voltmeter	CL-1
PQ74-VOTL2N1CAW0ST	0-15V DC Voltmeter	CL-1
PQ74-VOVL2N1CAW0ST	0-30V DC Voltmeter	CL-1
PQ74-VOXL2N1CAW0ST	0-50V DC Voltmeter	CL-1
PQ74-VOYL2N1CAW0ST	0-60V DC Voltmeter	CL-1
PQ74-VOZL2N1CAW0ST	0-100V DC Voltmeter	CL-1
PQ74-V1AL2N1CAW0ST	0-150V DC Voltmeter	CL-1

### SiDS 96x96 (Voltmeter)

Cat No.	Description	Class
PQ94-VOSL2N1CAW0ST	0-10V DC Voltmeter	CL-1
PQ94-VOTL2N1CAW0ST	0-15V DC Voltmeter	CL-1
PQ94-VOVL2N1CAW0ST	0-30V DC Voltmeter	CL-1
PQ94-VOXL2N1CAW0ST	0-50V DC Voltmeter	CL-1
PQ94-VOYL2N1CAW0ST	0-60V DC Voltmeter	CL-1
PQ94-VOZL2N1CAW0ST	0-100V DC Voltmeter	CL-1
PQ94-V1AL2N1CAW0ST	0-150V DC Voltmeter	CL-1

### SiDG (Moving Coil AC Meters with Rectifier)

#### SiDG 48x48 (Ammeters)

Cat No.	Description	Class
VQ44-I18L2N1CAW0ST	10mA, Scale 0-10A	CL-1
VQ44-I21L2N1CAW0ST	25mA, Scale 0-10A	CL-1
VQ44-I25L2N1CAW0ST	150mA, Scale 0-10A	CL-1
VQ44-I27L2N1CAW0ST	400mA, Scale 0-10A	CL-1
VQ44-I28L2N1CAW0ST	600mA, Scale 0-10A	CL-1

#### SiDG 48x48 (Voltmeter)

Cat No.	Description	Class
VQ44-V0YL2N1CAW0ST	60V, Scale 0-60V	CL-1
VQ44-V0ZAL2N1CAW0ST	100V, Scale 0-100V	CL-1
VQ44-V1AL2N1CAW0ST	150V, Scale 0-150V	CL-1
VQ44-V1FL2N1CAW0ST	500V, Scale 0-500V	CL-1
VQ44-V1GL2N1CAW0ST	600V, Scale 0-600V	CL-1



#### SiDG 72x72 (Ammeters)

Cat No.	Description	Class
VQ74-I29L2N1CAW0ST	1A, Scale 0-1A	CL-1
VQ74-I33L2N1CAW0ST	5A, Scale 0-5A	CL-1
VQ74-I35L2N1CAW0ST	10A, Scale 0-10A	CL-1
VQ74-I37L2N1CAW0ST	20A, Scale 0-20A	CL-1
VQ74-I38L2N1CAW0ST	25A, Scale 0-30A	CL-1

### SiDG 72x72 (Voltmeter)

Cat No.	Description	Class
VQ74-V0YL2N1CAWOST	60V, Scale 0-60V	CL-1
VQ74-V0ZAL2N1CAWOST	100V, Scale 0-100V	CL-1
VQ74-V1AL2N1CAWOST	150V, Scale 0-150V	CL-1
VQ74-V1FL2N1CAWOST	500V, Scale 0-500V	CL-1
VQ74-V1GL2N1CAWOST	600V, Scale 0-600V	CL-1

### SiDG 96x96 (Ammeters)

Cat No.	Description	Class
VQ94-I29L2N1CAWOST	1A, Scale 0-1A	CL-1
VQ94-I33L2N1CAWOST	5A, Scale 0-5A	CL-1
VQ94-I35L2N1CAWOST	10A, Scale 0-10A	CL-1
VQ94-I37L2N1CAWOST	20A, Scale 0-20A	CL-1
VQ94-I38L2N1CAWOST	25A, Scale 0-30A	CL-1

### SiDG 72x72 (Voltmeter)

Cat No.	Description	Class
VQ94-V0YL2N1CAWOST	60V, Scale 0-60V	CL-1
VQ94-V0ZAL2N1CAWOST	100V, Scale 0-100V	CL-1
VQ94-V1AL2N1CAWOST	150V, Scale 0-150V	CL-1
VQ94-V1FL2N1CAWOST	500V, Scale 0-500V	CL-1
VQ94-V1GL2N1CAWOST	600V, Scale 0-600V	CL-1



### SiFM Series (Pointer Frequency Meter)

#### SiFM 48x48

Cat No.	Description	Class
ZQ44-46053N1CAWOST	45-55-65Hz, 100V	CL-0.5
ZQ44-46083N1CAWOST	45-55-65Hz, 120V	CL-0.5
ZQ44-46123N1CAWOST	45-55-65Hz, 220V	CL-0.5
ZQ44-46143N1CAWOST	45-55-65Hz, 240V	CL-0.5
ZQ44-46263N1CAWOST	45-55-65Hz, 100-125V	CL-0.5
ZQ44-46243N1CAWOST	45-55-65Hz, 200-250V	CL-0.5
ZQ44-56053N1CAWOST	55-60-65Hz, 100V	CL-0.5
ZQ44-56083N1CAWOST	55-60-65Hz, 120V	CL-0.5
ZQ44-56123N1CAWOST	55-60-65Hz, 220V	CL-0.5
ZQ44-56143N1CAWOST	55-60-65Hz, 240V	CL-0.5
ZQ44-56263N1CAWOST	55-60-65Hz, 100-125V	CL-0.5
ZQ44-56243N1CAWOST	55-60-65Hz, 200-250V	CL-0.5



## SiFM 72x72

Cat No.	Description	Class
ZQ74-46053N1CAWOST	45-55-65Hz, 100V	CL-0.5
ZQ74-46083N1CAWOST	45-55-65Hz, 120V	CL-0.5
ZQ74-46123N1CAWOST	45-55-65Hz, 220V	CL-0.5
ZQ74-46143N1CAWOST	45-55-65Hz, 240V	CL-0.5
ZQ74-46263N1CAWOST	45-55-65Hz, 100-125V	CL-0.5
ZQ74-46243N1CAWOST	45-55-65Hz, 200-250V	CL-0.5
ZQ74-56053N1CAWOST	55-60-65Hz, 100V	CL-0.5
ZQ74-56083N1CAWOST	55-60-65Hz, 120V	CL-0.5
ZQ74-56123N1CAWOST	55-60-65Hz, 220V	CL-0.5
ZQ74-56143N1CAWOST	55-60-65Hz, 240V	CL-0.5
ZQ74-56263N1CAWOST	55-60-65Hz, 100-125V	CL-0.5
ZQ74-56243N1CAWOST	55-60-65Hz, 200-250V	CL-0.5

## SiFM 96x96

Cat No.	Description	Class
ZQ94-46053N1CAWOST	45-55-65Hz, 100V	CL-0.5
ZQ94-46083N1CAWOST	45-55-65Hz, 120V	CL-0.5
ZQ94-46123N1CAWOST	45-55-65Hz, 220V	CL-0.5
ZQ94-46143N1CAWOST	45-55-65Hz, 240V	CL-0.5
ZQ94-46263N1CAWOST	45-55-65Hz, 100-125V	CL-0.5
ZQ94-46243N1CAWOST	45-55-65Hz, 200-250V	CL-0.5
ZQ94-56053N1CAWOST	55-60-65Hz, 100V	CL-0.5
ZQ94-56083N1CAWOST	55-60-65Hz, 120V	CL-0.5
ZQ94-56123N1CAWOST	55-60-65Hz, 220V	CL-0.5
ZQ94-56143N1CAWOST	55-60-65Hz, 240V	CL-0.5
ZQ94-56263N1CAWOST	55-60-65Hz, 100-125V	CL-0.5
ZQ94-56243N1CAWOST	55-60-65Hz, 200-250V	CL-0.5

## DIN Panel Meters - Options & Spare Parts

- Non-reflecting glass window
- Polycarbonate shatterproof window
- Red supplementary pointer, externally adjustable
- Panel Gasket (IP54)
- IP55 - Where feasible
- Black Blanking Plate

### Scales / Caption

- Other Captions
- Non Electrical Scale i.e. 0/100%
- Red Index Mark (Triangle) on Short Scale Instruments
- Red/Green/Blue Line on Long Scale Instruments
- Red/Green/Blue Band, Zone or Segment
- Black Dial/White or Yellow Markings and Pointer
- Additional Scale or Extra Set of Figures
- Finely Divided Scales
- Logo other than Sifam Tinsley

### Dials

- Spare Dial, Standard Scale and Caption
- Loose Blank White Dial Supplied with Instrument

### Calibration

- Class 1 Accuracy (Where 1.5 is Standard) Where Available
- Calibration at Temperature Other Than 23°C

### Ratings

- Centre Zero or Off-set Zero
- Right Hand Zero

### Spare Parts

- Dial Blanks, 48, 72 & 96mm
- Window Glass with Zero Adjuster
- Window Diffused Glass with Zero Adjuster
- Window Glass with Red Supplementary Pointer & Zero Adjuster
- Window Diffused Glass with Red Supplementary Pointer & Zero Adjuster
- Window Polycarbonate with Zero Adjuster
- Window Polycarbonate with Red Supplementary Pointer & Zero Adjuster
- Viewing Window
- Black Bezel
- Red Bezel
- Yellow Bezel
- Blue Bezel
- White Bezel

## Selector Switch

### SiDET 72x72 (AC Voltage)

Cat No.	Description	Position
SS74-V2CX1N1CA60ST	120V, Dial 0-100%	6
SS74-V2LX1N1CA60ST	150V, Dial 0-100%	6
SS74-V2QX1N1CA60ST	300V, Dial 0-100%	6
SS74-V2VX1N1CA60ST	500V, Dial 0-100%	6
SS74-V2WX1N1CA60ST	600V, Dial 0-100%	6
SS74-V2CX1N1CA40ST	120V, Dial 0-100%	4
SS74-V2LX1N1CA40ST	150V, Dial 0-100%	4
SS74-V2QX1N1CA40ST	300V, Dial 0-100%	4
SS74-V2VX1N1CA40ST	500V, Dial 0-100%	4
SS74-V2WX1N1CA40ST	600V, Dial 0-100%	4



### SiDET 72x72 (AC Current)

Cat No.	Description	Position
SS74-I0112N1CA40ST	1A, Dial 0-100%	4
SS74-I0312N1CA40ST	5A, Dial 0-100%	4

### SiDET 96x96 (AC Voltage)

Cat No.	Description	Position
SS94-V2CX1N1CA60ST	120V, Dial 0-100%	6
SS94-V2LX1N1CA60ST	150V, Dial 0-100%	6
SS94-V2QX1N1CA60ST	300V, Dial 0-100%	6
SS94-V2VX1N1CA60ST	500V, Dial 0-100%	6
SS94-V2WX1N1CA60ST	600V, Dial 0-100%	6
SS94-V2CX1N1CA40ST	120V, Dial 0-100%	4
SS94-V2LX1N1CA40ST	150V, Dial 0-100%	4
SS94-V2QX1N1CA40ST	300V, Dial 0-100%	4
SS94-V2VX1N1CA40ST	500V, Dial 0-100%	4
SS94-V2WX1N1CA40ST	600V, Dial 0-100%	4

- For 4 Position : OFF, L1, L2, L3 - Single Phase System
- OFF, L1-L2, L2-L3, L3-L1 - 3ph 3wire System
- For 6 Position : L1-L2, L2-L3, L3-L1, L1-N, L2-N, L3-N - 3ph 4wire System
- For 7 Position : OFF, L1-L2, L2-L3, L3-L1, L1-N, L2-N, L3-N

### SiDET 96x96 (AC Current)

Cat No.	Description	Position
SS94-I0111N1CA40ST	1A, Dial 0-100%	4
SS94-I0311N1CA40ST	5A, Dial 0-100%	4

## SiETM - Elapsed Time Meter (Hour Run Meter)

### SiETM 72x72

Cat No.	Description
ET74-016XXN1XAW0ST	100-125V AC, 50Hz
ET74-046XXN1XAW0ST	200-250V AC, 50Hz

### SiETM 96x96

Cat No.	Description
ET94-016XXN1XAW0ST	100-125V AC, 50Hz
ET94-046XXN1XAW0ST	200-250V AC, 50Hz



# Shunts

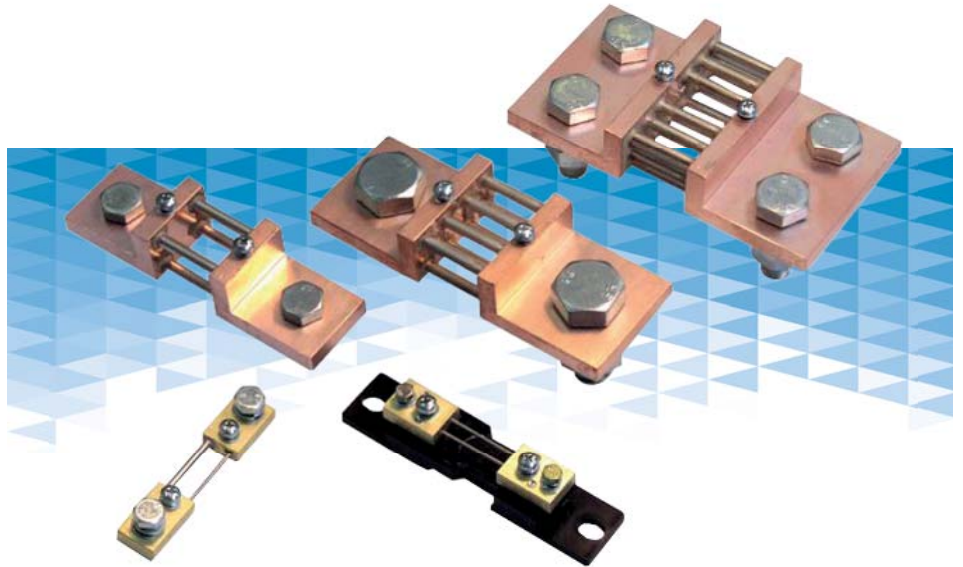
A range of DIN standard shunts to measure DC current and provide a proportional millivolt output signal.

KAPPA Series

### Features

- Extension of DC current measuring ranges of moving-coil ammeters accuracy class 0.5
- Shunts of 1-25A ranges (and on request, B2 40-150A) are fixed on an isolating base
- The isolating base is adapted to be assembled on a 35mm DIN rail
- On request, additional chemical coating are available: lackering, silver or nickel plating

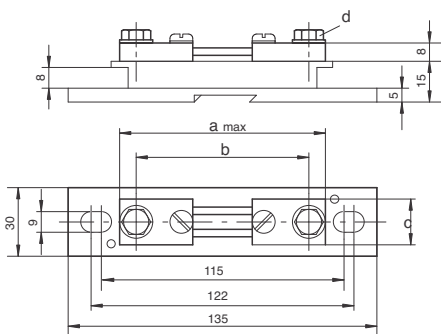
Features given vary from product to product - for more detailed product specific info please visit our website [www.sifamtinsley.co.uk](http://www.sifamtinsley.co.uk)



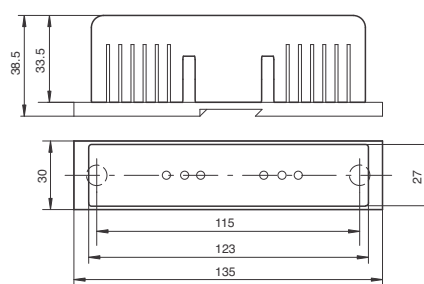
Cat No.	Description
SHUNT-B5075 2A50 AT100E1	Primary Current:- 2.5A, Vtg Drop:- 75mV
SHUNT-B5075 6A00 AT100E1	Primary Current:- 6A, Vtg Drop:- 75mV
SHUNT-B5075 10A0 AT100E1	Primary Current:- 10A, Vtg Drop:- 75mV
SHUNT-B5075 25A0 AT100E1	Primary Current:- 25A, Vtg Drop:- 75mV
SHUNT-B5075 40A0 AT100E1	Primary Current:- 40A, Vtg Drop:- 75mV
SHUNT-B5075 60A0 AT100E1	Primary Current:- 60A, Vtg Drop:- 75mV
SHUNT-B5075 100A DT100E1	Primary Current:- 60A, Vtg Drop:- 75mV
SHUNT-B5075 150A DT100E1	Primary Current:- 150A, Vtg Drop:- 75mV
SHUNT-B5075 250A BT100E1	Primary Current:- 250A, Vtg Drop:- 75mV
SHUNT-B5075 400A BT100E1	Primary Current:- 400A, Vtg Drop:- 75mV
SHUNT-B5075 600A BT100E1	Primary Current:- 600A, Vtg Drop:- 75mV
SHUNT-B5075 1k00 BT100E1	Primary Current:- 1000A, Vtg Drop:- 75mV
SHUNT-B5075 1k50 BT100E1	Primary Current:- 1500A, Vtg Drop:- 75mV

## Dimensions

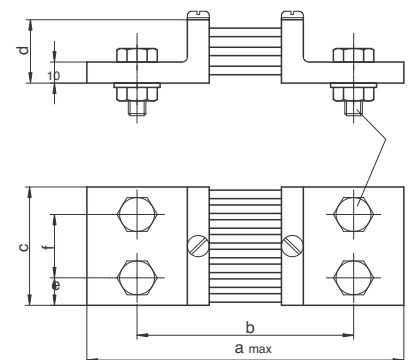
Form A with insulating base



Form A with insulating base and cover



Form B





# Digital Multimeters

The Gamma series consists of digital multimeters. They are capable of measuring electrical parameters like current, voltage, frequency, temperature, resistance, diode test and continuity test of the circuit respectively.



## Features

- Capacitance from 1pF-200.00<sup>o</sup>F with zero correction
- Direct and alternating voltages from 100 $\mu$ V-1000V
- Direct and alternating currents from 10 $\mu$ A-10.00A
- Resistance from 1 $\Omega$ -40.00M $\Omega$  with zero correction
- Frequencies from 10.00Hz-500kHz
- Diode measurement and continuity testing
- Hold measurement
- Relative measurement
- Duty cycle (%) measurement
- Temperature measurement with K type thermocouple
- Backlit feature

Features given vary from product to product - for more detailed product specific info please visit our website [www.sifamtinsley.co.uk](http://www.sifamtinsley.co.uk)

## Gamma 10

### Features

- Automatic terminal blocking system (ABS)
- Min / Max value storage
- Indication of negative values on the analogue scale
- Overload warning

Cat No.	Description
GM20-7NB400000000	Gamma 10 True RMS Backlit
GM20-7FB400000000	Gamma 10 Fine Tip True RMS Backlit



## Gamma 12

### Features

- Automatic terminal blocking system (ABS)
- Min / Max value storage
- Indication of negative values on the analogue scale
- Overload warning

Cat No.	Description
GM20-6NB400000000	Gamma 12 True RMS Backlit
GM20-6FB400000000	Gamma 12 Fine Tip True RMS Backlit





## Gamma 20

### Features

- Convenient triple display
- High resolution and precision
- RMS value with distorted waveshape
- Overload protection
- Automatic blocking sockets (ABS)

Cat No.	Description
GM20-9NB4000000000	Gamma 20 True RMS Backlit
GM20-9FB40000000000	Gamma 20 Fine Tip True RMS Backlit



## Gamma 30

### Features

- Storing data in offline / online mode
- Transmission of data to PC in online mode via RS 232 serial interface
- Optically isolated transmission from multi meter to adaptor
- Easy parameter setting manually and through PC
- Graphical analysis of data through y-t & X-Y mode

Cat No.	Description
GM30-00000000000000	Gamma Si 232 Adaptor



## Gamma 40, 50, 60, 70

### Features

- Direct and alternating voltages from 100 $\mu$ V-1000V
- Direct and alternating currents from 10 $\mu$ A-10.00A
- Resistance from 100m $\Omega$ -60.00M $\Omega$
- Capacitance from 1pF-40.00 mF with zero correction
- Frequencies from 10.00Hz-10MHz
- Diode measurement and continuity testing
- Hold measurement
- Relative measurement
- Duty cycle (%) measurement
- Temperature measurement with K type thermocouple
- Peak value measurement

Cat No.	Description
GM47-612N0000000000	Gamma 20 True RMS Backlit
GM47-612F0000000000	DMM Gamma 40 Fine Tip Prob
GM47-613N0000000000	DMM Gamma 50 NT
GM47-613F0000000000	DMM Gamma 50 Fine Tip Prob
GM47-615N0000000000	DMM Gamma 60 NT
GM47-615F0000000000	DMM Gamma 60 Fine Tip Prob
GM47-616N0000000000	DMM Gamma 70 NT
GM47-616F0000000000	DMM Gamma 70 Fine Tip Prob

# Clamp Meters

The Delta series consist of clamp meters and clamp CT's. This meter is basically used where the electric current in the conductor can be measured, without having to make physical contact with it. The meter has wide opening jaws with 180° rotational movement which makes it comfortable for the user to handle it during the measurement. By using clamp CT's, we can measure the electrical parameters above the normal range by use of normal digital multimeters easily.



## Features

- Basic accuracy 0.25 %, high accuracy low current measurement
- Large jaw opening with 180° rotation to avoid difficult measuring positions
- Narrow housing for firm grip and easy to carry
- Null zero correction for low current measurement
- Analogue scale and auto power off
- Safety in accordance with IEC 61010-1
- Minimum transformation ratio error
- Compact, handy design
- Permanently connected safety cables

## Delta 1000

### Features

- Delta 1000A is a highly innovative design for features those increases safety and comfort of user
- Rotating clamp jaws facilitate the measurement at physically awkward positions, vertical bus bars, conductors placed at positions difficult to access
- Location and design of trigger eliminates fatigues caused by single finger operation
- It allows spreading the force required to open the jaws over more than one finger to ensure comfortable operation
- Clamp jaws can be opened or closed with the trigger placed at bottom side away from the jaws  
This allows the user to place his/her hand at safer distance from live conductor. This greatly reduces exposure of human beings to electrical shocks

Cat No.	Description
DT20-2NB0000000000	Delta Clamp 300A AC/DC, Backlite
DT20-2FB00000000000	Delta Clamp 300A AC/DC, Fine Tip Backlite
DT20-1NB00000000000	Delta Clamp 1000A AC/DC, True RMS Backlit
DT20-1FB00000000000	Delta Clamp 1000A AC/DC, True RMS Fine Tip Backlit
DT90-21000000000000	Delta Clip on CT 1000A/1A AC
DT90-31000000000000	Delta Clip on CT 1000A/5A AC

# Insulation Testers

The Zeta series consist of the insulation testers. Zeta series insulation testers have proven invaluable in the testing of insulation resistance measurement for industrial applications such as motors, electrical panels, cables, telecom industry, defense and many more.



Zeta Series

### Features (Zeta 20 & 30)

- Broad insulation measuring range up to 2GΩ
- Voltage measurement to 25V to 600V
- Hands free continuity testing
- Storage memory for last 50 readings
- Stop watch function & blow fuse indication
- Auto power off

### Features (Zeta 50 / 50K)

- Test Voltages to up to 5000V
- Discharge of capacitive devices under test
- Measurement in accordance with EN61557 part 1 and 2/ IS 2992 (VDE 0413)
- Measurement cables with heavy-duty insulation & needle gauge with LEDs
- Vtg. measurement upto 2000V

Features given vary from product to product - for more detailed product specific info please visit our website [www.sifamtinsley.co.uk](http://www.sifamtinsley.co.uk)



## Zeta 20

### Features

- Insulation resistance measurement up to 3G ohm
- RMS value with distorted wave from
- Auto and manual ranging modes
- Data hold function
- Display with backlit

Cat No.	Description
ZT20-1NS0000000000	Zeta 20 Battery Operated
ZT20-1FS0000000000	Zeta 20 Fine Tip Battery Operated
ZT20-2NS0000000000	Zeta 20A Mains & Battery Operated
ZT20-2FS0000000000	Zeta 20A Fine Mains & Battery Operated



## Zeta 30

### Features

- Insulation resistance measurement up to 3G ohm
- RMS value with distorted wave from
- Auto and manual ranging modes
- Data hold function
- Display with backlit

Cat No.	Description
ZT30-1N0000000000	Zeta 30 TRMS, 3GΩ Insulation Resistance Measurement
ZT30-1F0000000000	Zeta 30 Fine Tip TRMS, 3GΩ Insulation Resistance Measurement



## Zeta 50

### Features

- Broad measuring range from 10kOhm to 1TOhm
- Easy to read logarithmic display
- Test voltages: 100V, 250V, 500V, 1000V, 1500V, 2000V, 2500V, 5000V
- Measurement to 2000V in accordance with DIN VDE 0413
- Measuring range: 100kOhm to 100MOhm (1000V)
- Voltage measurement to 2000V
- Guard terminal eliminates surface current
- Power supply with batteries or crank generator (optional) or mains operated (optional)

Cat No.	Description
ZT50-2NS0000000000	Zeta 50, 5000Ak STD High Voltage Insulation Tester for Hand Crank Generator Operation
ZT50-1NS0000000000	Zeta 50, 5000Ak STD High Voltage Insulation Tester for Battery Operation



## Test Voltages to 5000V

This instrument is suited for the non-destructive measurement of insulation resistance in electrical systems, at machines and transformers and in cables, as well as within the electrical equipment of, for example, locomotives, tram systems and ocean going vessels, with eight selectable test voltages up to 5kV.

## Voltage Measurement to 2000V

With the voltage measuring ranges, test objects can be checked for the absence of voltage in networks of up to 2kV. This is important for insulation resistance measurement, because extraneous voltages distort measurement results.

## Discharge of Capacitive Devices under Test

Capacitive devices under test such as cables and coils, which might be discharged to test voltage, are discharged by the measuring instrument. The drop in voltage can be observed at the needle gauge.

Measurement in accordance with EN61557 part 1 and 2/ IS 2992 (VDE 0413).

Measuring current is equal to 1mA at a test voltage of 100V, 250V, 500V and 1000V.

## Measurement Cables with Heavy-Duty Insulation

The measurement cables with heavy-duty insulation are permanently connected for safety and technical reasons. Possible danger caused by the unintentional removal of cables is thus avoided, for example when charging occurs due to capacitive test objects.

## Needle Gauge with LEDs

Three LEDs arranged within the needle gauge make reading easier. The lamp lights up which is located next to the scale, which is assigned to the selected measuring range. During the measurement sequence, the green LED indicates whether or not the battery charge is sufficient for the measurement.









**sifam tinsley**  
PRECISION INSTRUMENTATION

Powered by technology  
...driven by service

Multifunction Meters

Transducers & Isolators

Temperature Controllers

Converters & Recorders

Digital Panel Meters

Current Transformers

Analogue Panel Meters

Shunts

Digital Multimeters

Clamp Meters

Insulation Testers

Approvals



**Sifam Tinsley Instrumentation Ltd**

1 Warner Drive  
Springwood Industrial Estate  
Braintree, Essex  
CM7 2YW

Tel: 01376 335271  
E-mail: [sales@sifamtinsley.co.uk](mailto:sales@sifamtinsley.co.uk)

[www.sifamtinsley.co.uk](http://www.sifamtinsley.co.uk)