

CLIFF

CLIFFCON® S CONNECTORS 4 AND 8 POLE

The Cliffcon® S range is designed for audio applications. Also available are 4 and 8 Pole Standard Cliffcon® designed for power applications.



Cliffcon S
4 Pole plug with PVC Cable Grommet.
Blue nut is standard.
Other colour options to order.
Dimensions: 29 x 28 x 93mm

Part No: FM1245



Cliffcon S
4 Pole Plug without PVC Cable Grommet
Dimensions: 29 x 28 x 68mm

Part No: FM1250



Cliffcon S
4 Pole Cable Socket with PVC Cable Grommet
Dimensions: 28 x 28 x 93mm

Part No: FM1255

Plug Specification

Maximum Current:	20A.
Withstanding Voltage:	≥1400V
Insulation Resistance:	≥ 1GΩ
Contact Resistance:	≤ 3mΩ
Solderability:	≤ 3S
Insertion Force:	10-80N
Minimum Life:	≥2000

Cliff Electronic Components, Ltd.
76 Holmethorpe Avenue, Holmethorpe Ind. Est.
Redhill, Surrey RH1 2PF. England
Tel: +44 (0) 1737 771375
Fax: +44 (0) 1737 766012
Email: sales@cliffuk.co.uk



Visit us online at:

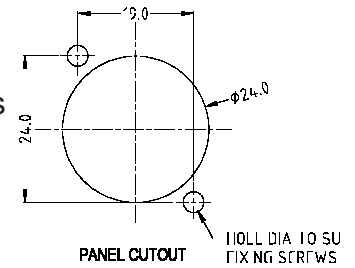
www.cliffuk.co.uk

CLIFFCON® S CONNECTORS 4 AND 8 POLE



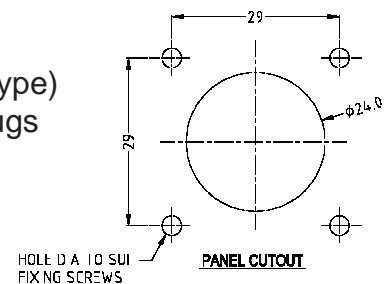
Cliffcon S
4 Pole Chassis Socket
Compatible with all Cliffcon S 4 Pole Plugs
Dimensions: 24 x 24 x 33mm

Part No: FM1270 with CSK Hole
FM1270X with Plain Hole



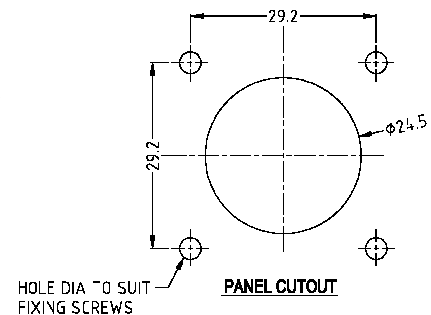
Cliffcon S
4 Pole Chassis Socket (Large Square Type)
Compatible with all Cliffcon S 4 Pole Plugs
Dimensions: 40 x 40 x 33mm

Part No: FM1275



Cliffcon S
4 Pole Chassis Socket (Round Type)
Compatible with all Cliffcon S 4 Pole Plugs
Dimensions: 50 x 50 x 33mm

Part No: FM1280



Cliffcon S
8 Pole Chassis Socket (Round Type)
Dimensions: 51 x 51 x 34mm

Part No: FM1285

