



### Features:

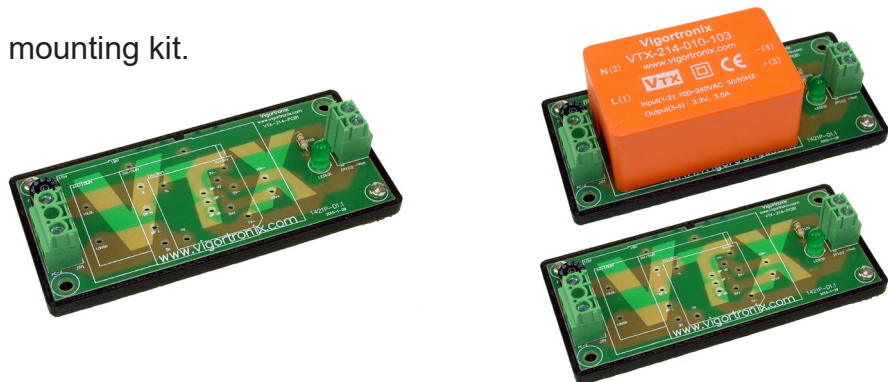
- 10W Miniature Size - PCB Mount
- Single Output - Regulated
- Output Range: 3.3V - 48VDC
- Input: 90 - 265VAC , 47 - 63Hz (100 - 370VDC)
- Low Standby Power <0.3W
- Low Ripple & Noise (Built in filter network)
- Encapsulated Design
- Fully Isolated Pri - Sec >4200Vrms
- Insulation: Class II
- Materials: UL94-V0
- Safety: EN61558, EN60950, CE

Part Number	Power Rating Watts	Output Voltage (VDC)	Output Current (mA)	Ambient Temp. (°C)	Efficiency Typical	Input Range
VTX-214-010-203	10	3.3	3000	50	>75%	90 - 265VAC (100 - 370VDC)
VTX-214-010-205	10	5	2000			
VTX-214-010-206	10	6	1666			
VTX-214-010-207	10	7.5	1333			
VTX-214-010-208	10	8	1250			
VTX-214-010-209	10	9	1111			
VTX-214-010-210	10	10	1000			
VTX-214-010-212	10	12	833			
VTX-214-010-215	10	15	666			
VTX-214-010-218	10	18	555			
VTX-214-010-224	10	24	416			
VTX-214-010-248	10	48	208			

**Note: Other output voltages are available upon request.**

Optional Universal PCB mounting kit.

Part Number:  
VTX-214-PCB1



Please contact Vigortronix for any enquiries. Products can be altered to suit custom requirements.  
The information contained in this document is subject to change without notice.

Vigortronix, 16 De Havilland Way, Witney, Oxfordshire, OX29 0YG, UK

Tel. +44 (0)1993 777570 Fax. +44 (0)1993 777580 Web. www.vigortronix.com E-mail: sales@vigortronix.com

Vigortronix is a trading name of Vigortronix (UK) Limited

Model: 10 Watt		Specification
<b>INPUT</b>  <b>Pin 1: L</b> <b>Pin 2: N</b>	Voltage Range	90 - 264VAC / 47 - 63Hz (120VDC - 370VDC)
	Current	250mA Max (100VAC) / 150mA Max (240VAC)
	Inrush Current (<500uS)	25A Max (100VAC) / 35A Max (240VAC)
	No Load power	0.3W Max
	Leakage Current	0.3 mA Max
<b>OUTPUT</b>  <b>Pin 3: DC+</b> <b>Pin 4: DC-</b>	Voltage Accuracy	+/-5%, (3.3V +/- 7%)
	Ripple	<2% Output Voltage Max (Vp-p)
	Noise	<1% Vout Max (Vp-p)
	Efficiency	>70%
	Minimum Load	0
	<b>Hold-up Time</b>	15mS Min.
	Switching Frequency	72KHz
<b>Protection</b>	Over Power	Hiccup mode
	Over Voltage	Hiccup mode
	Short Circuit Protection	Hiccup mode
<b>Dielectric Isolation</b>	Input to Output	3600Vrms, 5mA 1 Min (4200VAC 2sec)
<b>Enviroment</b>	Operating Temperature	-25°C - +70°C (+50°C Full Load)
	Storage Temperature	-40°C - +105°C
	<b>MTBF</b>	>300,000Hrs @ 25°C (MIL-HDBK-217F)
	Weight	56g
	Humidity	20 - 95% RH
<b>Safety</b>	Agency Approval	IEC60950-1/EN60950-1, EN61558-1, EN61558-2-6, EN61558-2-17
<b>EMC</b>	EMI	Compliance with EN55022 Class B
	EMS	Compliance with EN55024, EN55014-1, EN55014-2, EN61000-3-2 Class A, EN61000-3-3

Please contact Vigortronix for any enquiries. Products can be altered to suit custom requirements.  
The information contained in this document is subject to change without notice.

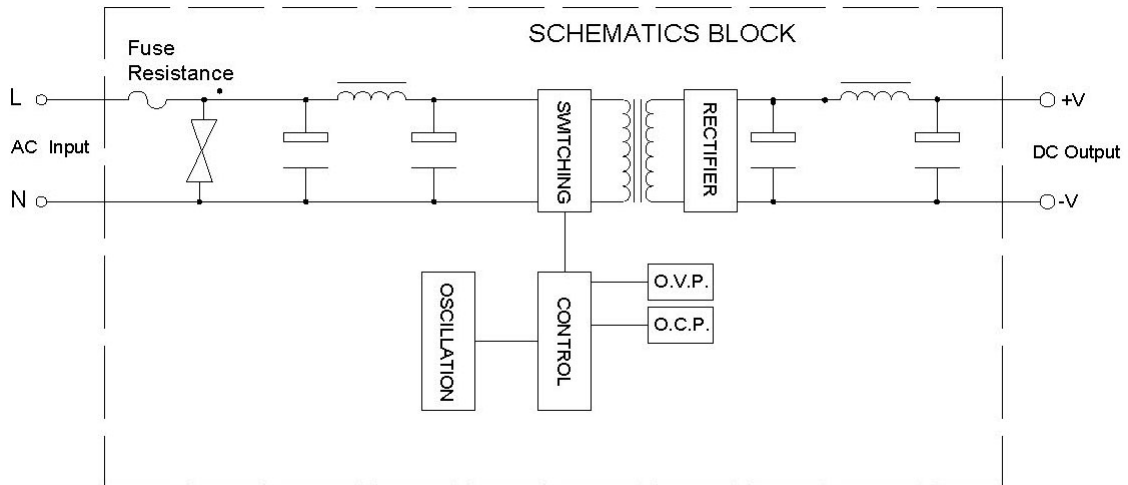
Vigortronix, 16 De Havilland Way, Witney, Oxfordshire, OX29 0YG, UK

Tel. +44 (0)1993 777570 Fax. +44 (0)1993 777580 Web. www.vigortronix.com E-mail: sales@vigortronix.com

Vigortronix is a trading name of Vigortronix (UK) Limited

**Vigortronix.com**

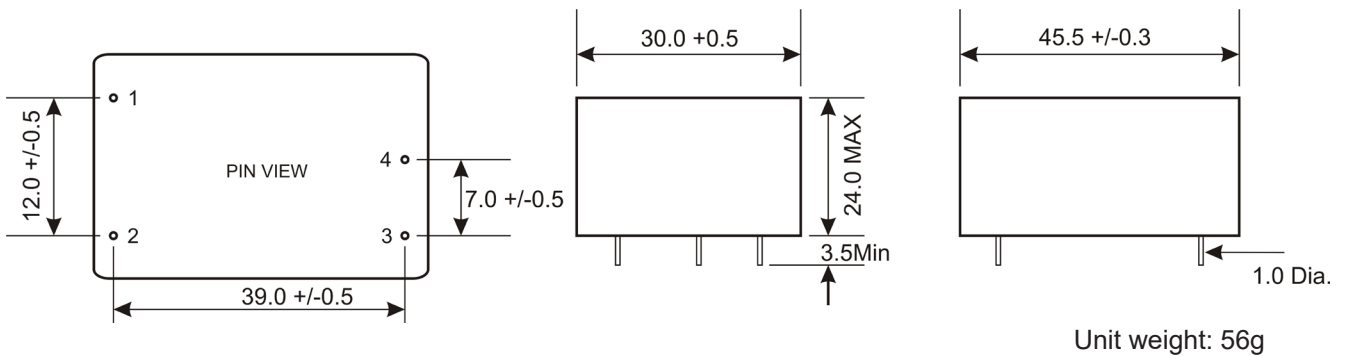
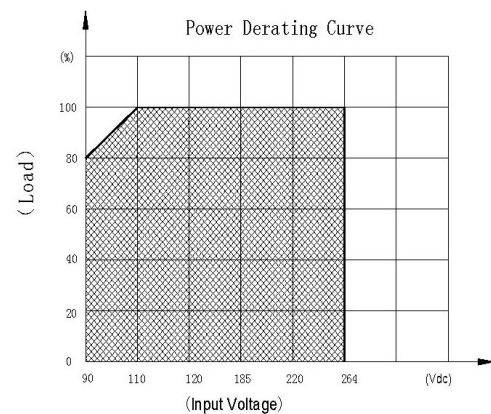
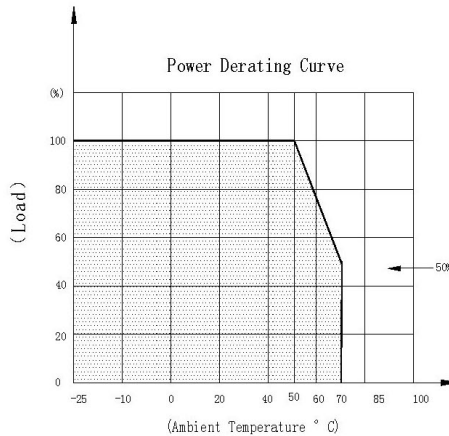
**Schematic:**



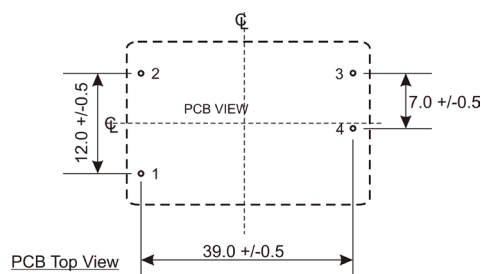
**Notes:**

If Surge protection is required it is recommended to fit a Varistor, similar to 14D431K

**Derating Graph**



**PCB Layout**



- Pin 1: Line
- Pin 2: Neutral
- Pin 3: Output DC +V
- Pin 4: Output DC 0V

Recommended PCB Hole size: 1.5mm Dia.

Please contact Vigortronix for any enquiries. Products can be altered to suit custom requirements. The information contained in this document is subject to change without notice.