

AC-DC Power Supply



Features

- Energy Efficiency Level VI
- European CoC Tier 2
- International ITE Approvals
- Universal Input
- Interchangeable Mains Connectors
- UK and EU Mains Connectors Included
- Class II Construction
- 3 year Warranty

Specifications

Output Power : 12.75W
Output Voltage : 5.1V
Output Current : 2500mA
Total Regulation : 5%
Efficiency : 81%

Input

Characteristic	Minimum	Typical	Maximum	Units	Notes & Conditions
Input Voltage	90	-	264	V AC	-
Input Frequency	47	-	63	Hz	-
Input Current	-	-	0.5	A	-
Inrush Current	-	-	50	A	240V AC, cold start at 25°C
Power Factor	-	-	-	-	EN61000-3-2, class A
No Load Input Power	-	-	75	mW	-
Input Protection	Internal fuse in line				

Output

Characteristic	Minimum	Typical	Maximum	Units	Notes & Conditions
Output Voltage	-	5.1	-	V	-
Minimum Load	0	-	-	A	No minimum load required
Start Up Delay	-	-	4	s	-
Start Up Rise Time	-	30	-	ms	-
Hold Up Time	-	10	-	ms	Full load and 115V AC
Total Regulation	-	-	5	%	Includes initial set accuracy, line and load regulation
Transient Response	-	-	10	% deviation	Recovery within <1% within 500µs for a 25% step load change at 0.1 A/µs



AC-DC Power Supply



Characteristic	Minimum	Typical	Maximum	Units	Notes & Conditions
Ripple & Noise	-	-	100	mV pk-pk	Measured with 20MHz bandwidth and 10µF electrolytic in parallel with 0.1µF ceramic capacitor
Short Circuit Protection	-	-	-	-	Continuous, trip and restart (hiccup mode) with auto recovery
Temperature Coefficient	-	-	0.05	%/ °C	-

General

Characteristic	Minimum	Typical	Maximum	Units	Notes & Conditions
Efficiency	-	81	-	%	Typical average of efficiencies measured at 25%, 50%, 75% and 100% load and 230V AC input
Energy Efficiency	-	-	-	-	Level VI and CoC tier 2
Isolation	3000	-	-	V AC	-
Leakage Current	-	-	250	µA	At 264V AC, 60Hz, from output to ground
Switching Frequency	-	85/65	-	kHz	115V AC full load / 230V AC full load
Mean Time Between Failure	200	-	-	kHrs	MIL-HDBK-217F at 25°C GB
Weight	-	0.22 (100)	-	lb (g)	Body only

Environmental

Characteristic	Minimum	Typical	Maximum	Units	Notes & Conditions
Operating Temperature	-20	-	+40	°C	-
Storage Temperature	-20	-	+85	°C	-
Operating Humidity	5	-	93	%	RH, non-condensing
Operating Altitude	-	-	5000	m	-
Cooling	-	-	-	-	Natural convection
Shock	MIL-STD-810F 516.5 (Table 516.5-I)				
Vibration	MIL-STD-810F 514.5 (Table 514.5C-VIII figure 514.5C-6)				

EMC: Emissions

Phenomenon	Standard	Test Level	Notes & Conditions
Conducted	EN55032	Level B	-
Radiated	EN55032	Level B	-
Harmonic Current	EN61000-3-2	Class A	-
Voltage Flicker	EN61000-3-3	-	-

EMC: Immunity

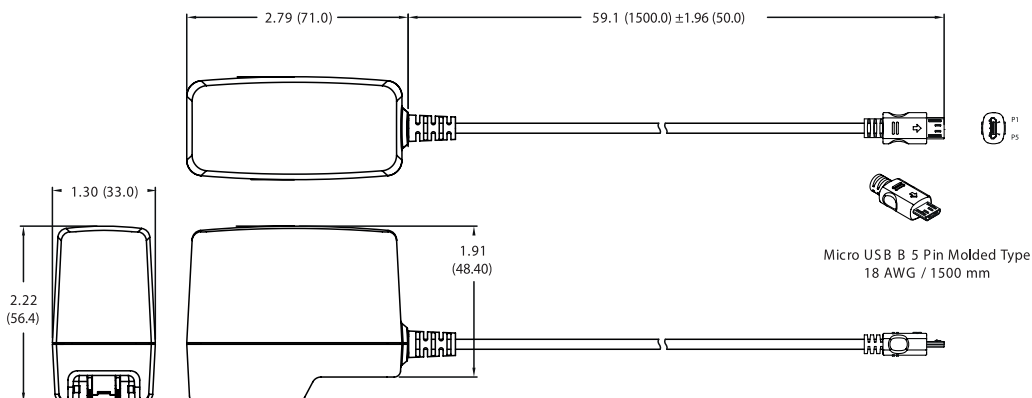
Phenomenon	Standard	Test Level	Criteria	Notes & Conditions
Low Voltage PSU EMC	EN61204-3	High severity level	as below	
ESD Immunity	EN61000-4-2	±4 kV contact, ±8 kV air	A	
Radiated Immunity	EN61000-4-3	10 V/m	A	
EFT/Burst	EN61000-4-4	Level 3	A	
Surge	EN61000-4-5	Level 3	A	
Conducted Immunity	EN61000-4-6	10 V	A	
Magnetic Fields	EN61000-4-8	3 A/m	A	
Dips and Interruptions	EN61000-4-11	Dip: 100% 10 ms	A	
		Dip: 70% 500 ms	B	
		Int: 100% 5000 ms	B	

Safety Approvals

Safety Agency	Safety Standard	Notes & Conditions
UL	UL60950-1	Information Technology
TUV	EN60950-1	
CB	IEC60950-1	
CE	LVD	

Diagram

Body



Dimensions : Inches (Millimetres)

Tolerance : ±0.02" (0.5mm)

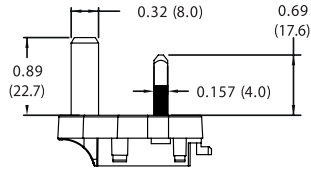
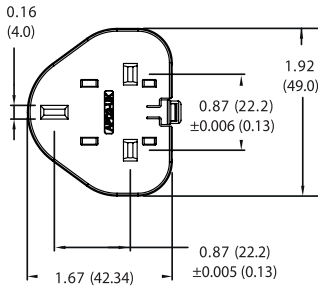
Output Connector	
Pin 1	+Vout
Pin 2	No Connection
Pin 3	
Pin 4	-Vout
Pin 5	

AC-DC Power Supply

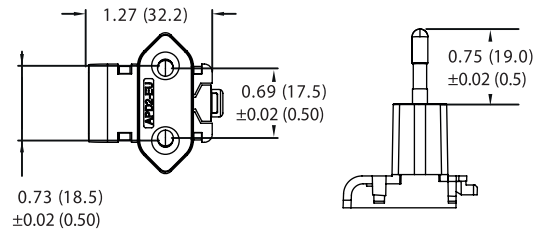


AC Input Plugs

UK Plug



EU Plug



Dimensions : Inches (Millimetres)

Tolerance : ±0.02" (0.5mm)

Part Number Table

Description	Part Number
Plug Top PSU, 5.1V, 2500mA	MC002546

Important Notice : This data sheet and its contents (the "Information") belong to the members of the Premier Farnell group of companies (the "Group") or are licensed to it. No licence is granted for the use of it other than for information purposes in connection with the products to which it relates. No licence of any intellectual property rights is granted. The Information is subject to change without notice and replaces all data sheets previously supplied. The Information supplied is believed to be accurate but the Group assumes no responsibility for its accuracy or completeness, any error in or omission from it or for any use made of it. Users of this data sheet should check for themselves the Information and the suitability of the products for their purpose and not make any assumptions based on information included or omitted. Liability for loss or damage resulting from any reliance on the Information or use of it (including liability resulting from negligence or where the Group was aware of the possibility of such loss or damage arising) is excluded. This will not operate to limit or restrict the Group's liability for death or personal injury resulting from its negligence. Multicomp is the registered trademark of the Group. © Premier Farnell Limited 2016.

www.element14.com
www.farnell.com
www.newark.com

