

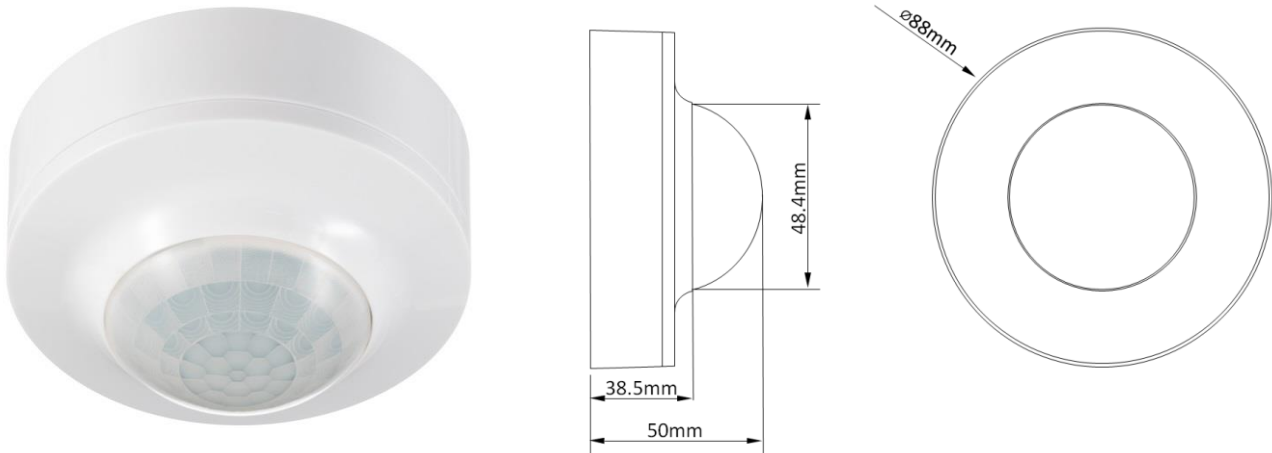
Data sheet



Light / PIR Presence Detectors

STW360 – 360° Ceiling PIR Sensor, Surface Mount

Product Image & Line Diagram



Technical Data

General	
Operating Voltage	230V AC
Frequency	50Hz
Installation Type	Surface
Class Protection	Class 2
Number of Channels	1
Weatherproof Rating	IP40 (Rated suitable for restricted internal applications)
Operating Temperature	-20°C to + 40°C
Accessories (Included)	Instructions, Fittings, Cable clamps, Lens mask sticker
Switch Rating	1000W Incandescent/Halogen, 200W Fluorescent, 200W Low Energy/CFL, 200W LED
Accessories (Optional)	None
Dimensions	Height 88mm, Width 88mm, Depth 50mm
Weight	72g
EAN	5012483014325
Designed In Accordance To	BS EN 60669-2-1 Includes updates & amendments.
Guarantee Period	2 Years
PIR Sensor	
Warm Up Time	60 Seconds
Detection Angle	360°
Light ON Time	3 seconds to 18 minutes, User adjustable
Slave Terminal	Yes (Maximum of 5 STW360 PIR sensors can be wired in parallel. Total load must not exceed the lamp rating of a single STW360 unit.)
Detection Range	6-8 meters, Fixed (Achieved at a 2.5m mounting height)
Permanent ON Facility	Yes, Pulse (6 hours max)
Dusk Until Dawn Mode	No
Lux Level	10 - 1000, User adjustable
Construction;	
PIR	Polycarbonate



Article Number: STW360 DS130218V1

