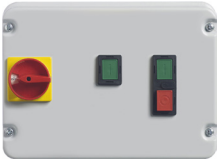


Direct-On-Line (DOL) Motor Starter with Isolator



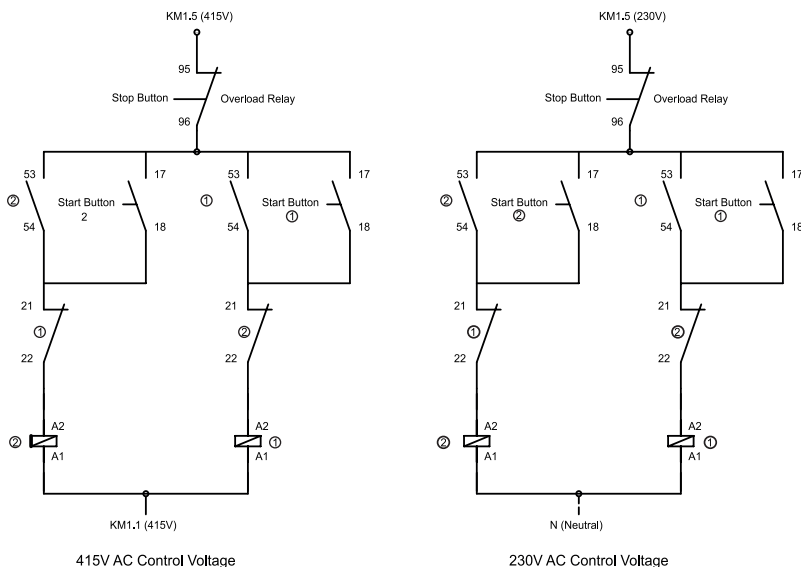
Description

The direct on line reversing starter is designed to switch three phase induction motors. The motor must be stationary before reversing the direction. The contactors are both electrically and mechanically interlocked to ensure independent operation. The thermal overload relay which must be fitted, is supplied as a separate item. The full load current (FLC) of the motor rating plate must not exceed the rating of the reversing starter (Maximum 12A for 5.5kW and 25A for 11kW).

Specification Table

| Part Number | Max Motor Size kW@415V | Current Rating AC-3 | Coil Voltage | Power Terminal Capacity | Control Terminal Capacity | Isolator Terminal Capacity |
|----------------------|------------------------|---------------------|--------------|-------------------------|---------------------------|----------------------------|
| MCMS-DOLRS5.5P7ISOMC | 5.5kW | 12A | 230V AC | 4mm ² | 4mm ² | 10mm ² |
| MCMS-DOLRS5.5N7ISOMC | | | 415V AC | | | |
| MCMS-DOLRS11P7ISOMC | 11kW | 25A | 230V AC | 6mm ² | | |
| MCMS-DOLRS11N7ISOMC | | | 415V AC | | | |

Wiring Diagram



Remote Start/Stop Buttons

The two start buttons must be momentary with a normally open contact and are to be connected in parallel across terminals 17 & 18 on each contactor.

The stop button must be momentary with a normally closed contact. The cable between KM1.5 on the contactor and 95 on the thermal overload relay is to be removed. The stop button must be wired between KM1.5 and 95 in series with the internal stop button 95-96.



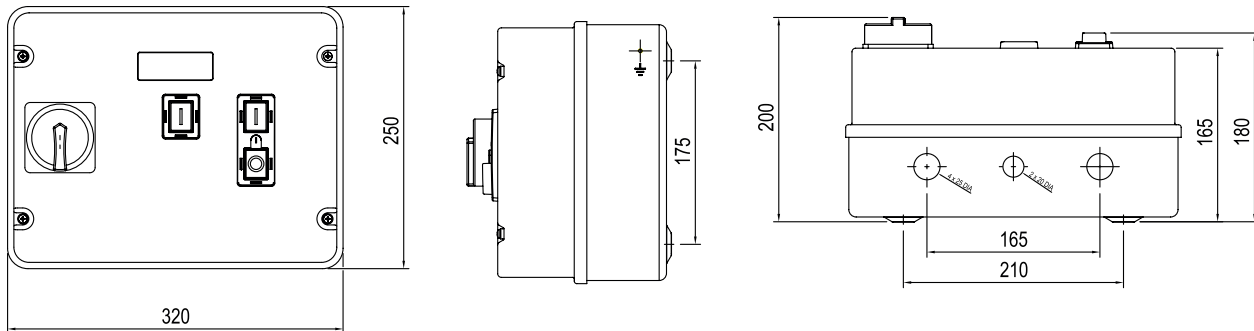
Direct-On-Line (DOL) Motor Starter with Isolator



Independent 415V AC Control Supply

The cable between KM1.5 and 95 on the thermal overload is to be removed. The 415V AC live supply is connected to 95 and the neutral connection to A1 on (1).

Dimensions with Isolator



Dimensions : Millimetres

Part Number Table

| Description | Part Number |
|---|----------------------|
| Direct-On-Line (DOL) Motor Starter w/ Isolator, 12A, 5.5kW, 230V AC | MCMS-DOLRS5.5P7ISOMC |
| Direct-On-Line (DOL) Motor Starter w/ Isolator, 12A, 5.5kW, 415V AC | MCMS-DOLRS5.5N7ISOMC |
| Direct-On-Line (DOL) Motor Starter w/ Isolator, 25A, 11kW, 230V AC | MCMS-DOLRS11P7ISOMC |
| Direct-On-Line (DOL) Motor Starter w/ Isolator, 25A, 11kW, 415V AC | MCMS-DOLRS11N7ISOMC |

Important Notice : This data sheet and its contents (the "Information") belong to the members of the Premier Farnell group of companies (the "Group") or are licensed to it. No licence is granted for the use of it other than for information purposes in connection with the products to which it relates. No licence of any intellectual property rights is granted. The Information is subject to change without notice and replaces all data sheets previously supplied. The Information supplied is believed to be accurate but the Group assumes no responsibility for its accuracy or completeness, any error in or omission from it or for any use made of it. Users of this data sheet should check for themselves the Information and the suitability of the products for their purpose and not make any assumptions based on information included or omitted. Liability for loss or damage resulting from any reliance on the Information or use of it (including liability resulting from negligence or where the Group was aware of the possibility of such loss or damage arising) is excluded. This will not operate to limit or restrict the Group's liability for death or personal injury resulting from its negligence. Multicomp is the registered trademark of the Group. © Premier Farnell Limited 2016.

www.element14.com
www.farnell.com
www.newark.com

