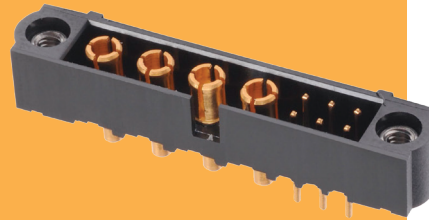


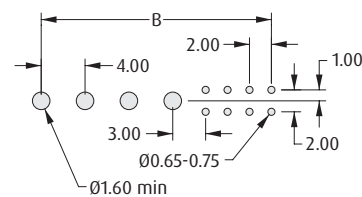
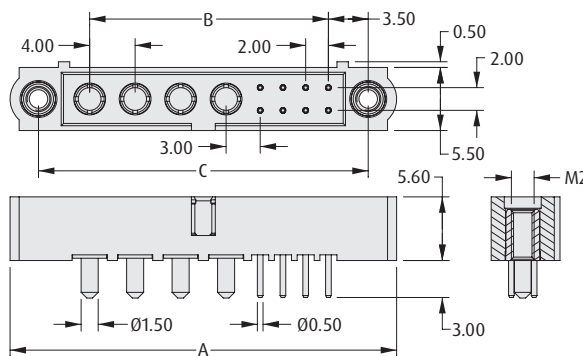
Datamate Power/Signal Connectors

Male Power/Signal Vertical PC Tail

- A selection of stocked Datamate Mix-Tek solder tail standard layouts.
- Choice to suit two PCB thicknesses and two stud lengths.
- Polarised mouldings.
- Standard Power contacts rated to 20A, signal to 3A.



JACKSCREW ONLY

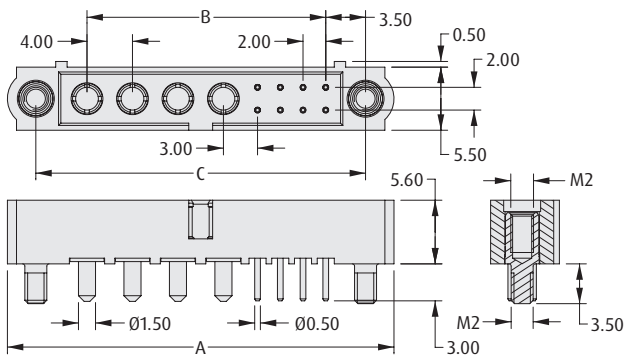


Recommended PC Board Pattern

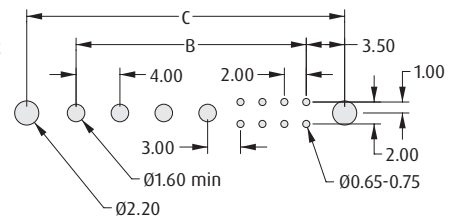
CALCULATION

A	$B + 13$
B	(No. of Power contacts - 1) x 4 + Total no. of Signal contacts + 1
C	$B + 8$

WITH BOARD MOUNT



**Board Mount Nut,
2 per connector**



Recommended PC Board Pattern

HOW TO ORDER

M80 - 5T1 XX 05 XX - XX - 331 - 00 - 000

NO. OF SIGNAL CONTACTS

02, 04, 06, 08, 12

NO. OF POWER CONTACTS

02, 04

JACKSCREW

M1	Jackscrew only
M2	With 3.5mm Board Mount stud

Check image chart to confirm Off-The-Shelf sizes available

All dimensions in mm.