

4-in-1 HD Video Baluns

EB-P101-01HQ HD Video Balun

EB-P101-20HQ HD Video Balun with 6" Pigtail

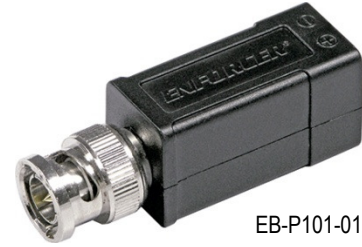
Features:

- 4-in-1 TVI / CVI / AHD (up to 1080p) and Analog video
- Transmits up to 1,443ft (440m) depending on format, resolution, and cable used
- PAL / NTSC / SECAM compatible
- Built-in TVS surge protection
- Anti-static and wave filters
- Lightning protection – Grade III
- 60dB Crosstalk and noise immunity
- Exceptional interference rejection
- Real-time transmission over low-cost Cat5e/6 cable instead of costly coaxial cable
- Quick-connect terminals for easy installation
- Small size allows mounting of multiple baluns behind a DVR

Specifications:

Model	EB-P101-01HQ	EB-P101-20HQ	
Video	Range*	TVI 720p: 623ft (190m) / 1080p: 623ft (190m) CVI 720p: 1,443ft (440m) / 1080p: 754ft (230m) AHD 720p: 1,049ft (320m) / 1080p: 820ft (250m) Analog B/W: 1,476ft (450m) / Color: 1,312ft (400m)	
	Video format	NTSC, PAL, SECAM	
	Frequency response	DC~42MHz	
	Common/differential mode rejection	60dB, 15kHz~42MHz	
	Wire type	UTP (Unshielded Twisted Pair) 24~16 AWG	
Connections	Wire category	Cat2~Cat6	
	UTP Connection	Nickel plated	
	Attenuation	1.5dB max.	
	Impedance	Coax, male BNC 75Ω@1MHz	Screwless terminal 100Ω@1MHz ±20Ω
Protection	Surge protection	Renewable solid state surge protection	
	Video input	2KV (common mode), 10/700μs IEC6100-4-5/1955	
Video output	2KV (differential mode), 10/700μs IEC6100-4-5/1955		
Other	DC Loop resistance	52Ω/1000' (18Ω/100m)	
	Differential capacitance	19pF/ft max. (62pF/m max.)	
	Power	No external power required	
	Operating temperature	-4°~158° F (-20°~70° C)	
	Storage temperature	-40°~305° F (-40°~150° C)	
	Humidity range	0~95 % (Non-condensing)	
	Case	ABS Plastic	
	Weight	1.4-oz (40g)	
	Cable length	N/A	4" (101mm)
	Dimensions	1 3/8" x 5/8" x 3/4" (35x16x19mm) Excluding BNC connector	1 3/8" x 5/8" x 3/4" (35x16x19 mm) Housing Only

*Actual range depends on format, resolution, and cable quality.



EB-P101-01HQ



EB-P101-20HQ

No Crimping Tools

Quick Connect

Compact Size

HD

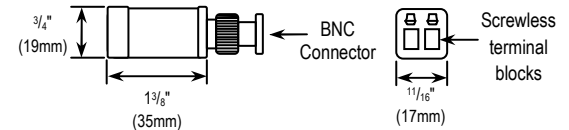
No Ghosting

4-in-1
TVI-CVI-AHD-Analog

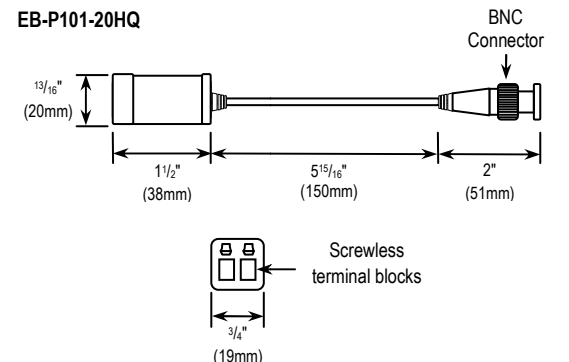
1080p
Resolution

Dimensions:

EB-P101-01HQ



EB-P101-20HQ



SECO-LARM® U.S.A., Inc.

16842 Millikan Avenue, Irvine, CA 92606

Phone: (949) 261-2999 | (800) 662-0800 Fax: (949) 261-7326

Website: www.seco-larm.com Email: sales@seco-larm.com



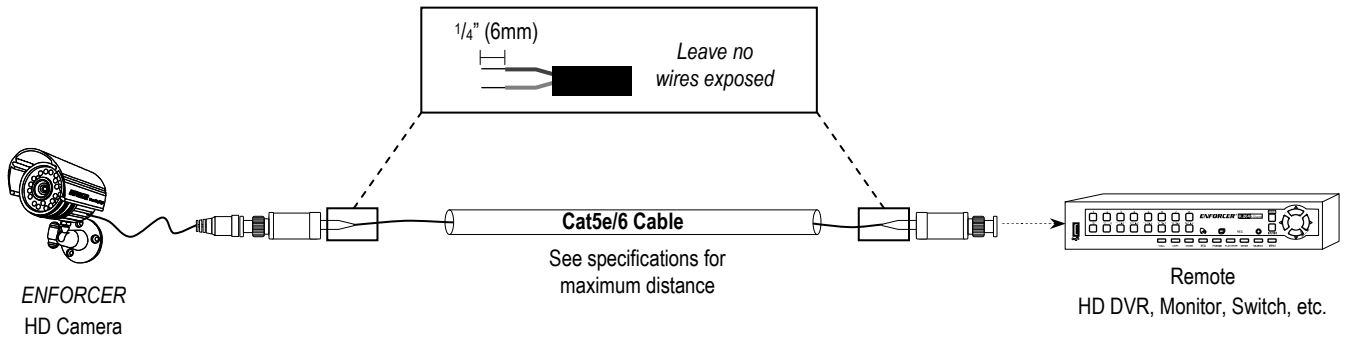
Copyright © 2017 SECO-LARM U.S.A., Inc. All rights reserved. All trademarks are the property of SECO-LARM U.S.A., Inc. or their respective owners. The SECO-LARM policy is one of continual development. For that reason, SECO-LARM reserves the right to change specifications without notice. SECO-LARM is not responsible for misprints.

SECO-LARM® ENFORCER® CRIMEBUSTER® CBA SLI®

PI_EB-P101-xxHQ_170524.docx

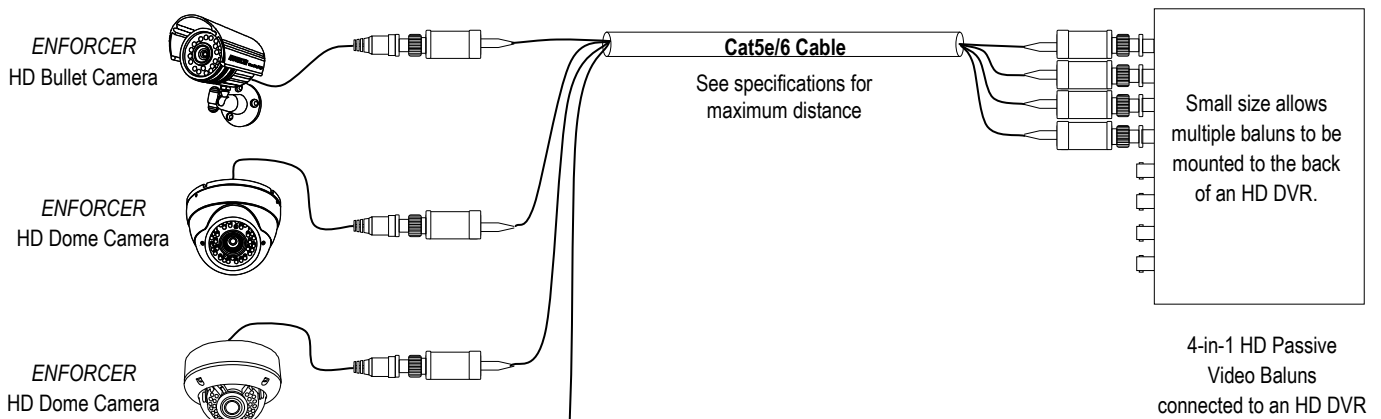
Sample Applications:

Single Pair of 4-in-1 HD Passive Video Baluns



Note: Shorter range may result when used with a DVR.

Multiple CCTV Cameras over a Single Cat5e/6 Cable



Note: Shorter range may result when used with a DVR.

Also Available from SECO-LARM:

Ethernet Extenders



IPB-A1100Q shown

Power Supplies



PS-U0906-PULQ shown

Surge Protectors



VS-1V22AQ shown

VPD Combiners



EB-P304-01EQ shown