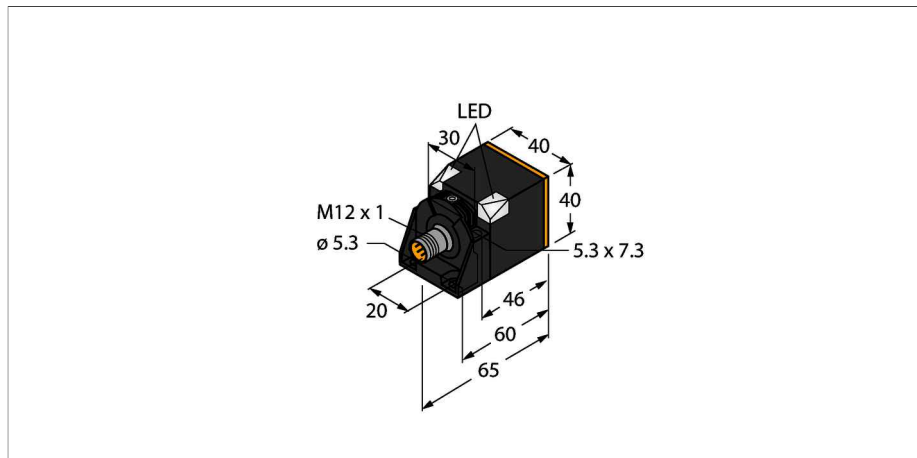


BI30U-CK40-AP6X2-H1141

Inductive sensor



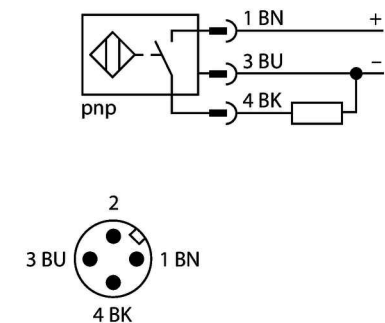
Features

- Rectangular, height 40 mm
- Variable orientation of active face in 5 directions
- Plastic, PBT-GF30-V0
- High luminance corner LEDs
- Optimum view on supply voltage and switching state from any position
- Factor 1 for all metals
- Protection class IP68
- Resistant to magnetic fields
- Large coverage
- High switching frequency
- DC 3-wire, 10...30 VDC
- NO contact, PNP output
- M12 x 1 male connector

Technical data

| | |
|---|---|
| Type | BI30U-CK40-AP6X2-H1141 |
| ID number | 1625829 |
| Rated switching distance | 30 mm |
| Mounting conditions | Flush |
| Secured operating distance | $\leq (0,81 \times S_n)$ mm |
| Repeat accuracy | $\leq 2\%$ of full scale |
| Temperature drift | $\leq \pm 10\%$ |
| Hysteresis | 3...15 % |
| Ambient temperature | -10...+60 °C |
| Operating voltage | 10...30 VDC |
| Residual ripple | $\leq 10\% U_{ss}$ |
| DC rated operational current | ≤ 200 mA |
| No-load current | ≤ 15 mA |
| Residual current | ≤ 0.1 mA |
| Isolation test voltage | ≤ 0.5 kV |
| Short-circuit protection | yes / Cyclic |
| Voltage drop at | ≤ 1.8 V |
| Wire breakage/Reverse polarity protection | yes / Complete |
| Output function | 3-wire, NO contact, PNP |
| Protection class | □ |
| Switching frequency | 0.25 kHz |
| Design | Rectangular, CK40 |
| Dimensions | 65 x 40 x 40 mm |
| | variable orientation of active face in 5 directions |
| Housing material | Plastic, PBT-GF20-V0, Black |
| Active area material | Plastic, PA12-GF30, yellow |
| Electrical connection | Connector, M12 x 1 |

Wiring diagram

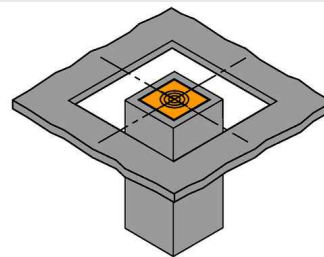
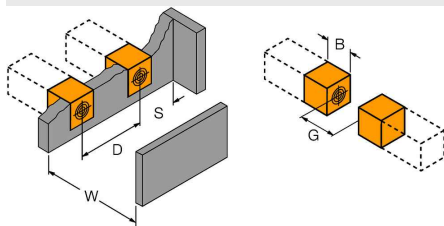


Inductive sensors detect metal objects contactless and wear-free. Due to the patented multi-coil system, *upro^x*+ sensors have distinct advantages over conventional sensors. They excel in largest switching distances, maximum flexibility and operational reliability as well as efficient standardization.

Technical data

| | |
|----------------------------|---|
| Vibration resistance | 55 Hz (1 mm) |
| Shock resistance | 30 g (11 ms) |
| Protection class | IP68 |
| MTTF | 874 years acc. to SN 29500 (Ed. 99) 40 °C |
| Power-on indication | 2 × LEDs green |
| Switching state | LED yellow |
| Included in delivery | Fixing clamp BS4-CK40 |

Mounting instructions/Description



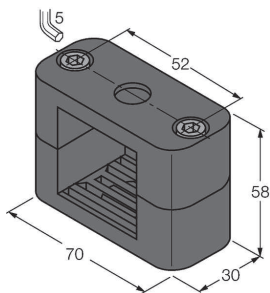
| | |
|---------------------|--------|
| Distance D | 80 mm |
| Distance W | 90 mm |
| Distance S | 40 mm |
| Distance G | 180 mm |
| Width active area B | 40 mm |

When installing the sensor in an aperture plate (sheet metal, e.g., a step plate) the sensor must be fully embedded in metal for reliable detection of the target.

Mounting accessories

BSS-CP40 6901318

Mounting bracket for rectangular devices; material: Polypropylene



Wiring accessories

| Type | ID number |
|-------------|-----------|
| RKC4T-2/TEL | 6625010 |

Connection cable, female M12, straight, 3-pin, cable length: 2 m, sheath material: PVC, black; cULus approval; other cable lengths and qualities available, see www.turck.com

