



Key-operated actuator, classic, maintained, 2 positions, MS1, 1 N/O, cable (black) with non-terminated end, 4 pole, 1 m

Part no. C22-WRS-MS1-K10-P62
 Catalog No. 186263

Delivery program

Product range		RMQ compact solution
Basic function		Key-operated buttons
Single unit/Complete unit		Complete unit maintained
Function:		
		60°
Connection type		Cable (black) with non-terminated end, 4 pole
Cable Length	m	1
		Not suitable for master key systems
		2 positions
Lock mechanism		MS1
Key withdrawable in position		
		1
		0
Degree of Protection		IP66 (front) IP65 (on rear)
Front ring		Bezel: titanium
Connection to SmartWire-DT		no
Contacts		
N/O = Normally open		1 N/O
Contact sequence		<div style="text-align: center;"> <p>BN</p> <p>BK</p> </div>
Contact travel <input checked="" type="checkbox"/> = Contact closed <input type="checkbox"/> = Contact open		
Contact diagram		<p>0 3.15 5.5</p>
Information about equipment supplied		With 1 key

Technical data

General

Standards		IEC/EN 60947-5-1
-----------	--	------------------

Certifications			VDE 0660 CE, UL, CSA
Operating frequency	Operations/h		≤ 100
Operating torque		Nm	≤ 0.5
Tightening torque Threaded ring		Nm	2
Climatic proofing			Damp heat, constant, to IEC 60068-2-78 Damp heat, cyclic, to IEC 60068-2-30
Degree of Protection			IP66 (front) IP65 (on rear)
Mounting position			As required
Mechanical shock resistance, shock duration 11 ms		g	> 30

Contacts

Rated impulse withstand voltage	U_{imp}	V AC	800
Rated insulation voltage	U_i	V	30
Overvoltage category/pollution degree			III/3
Control circuit reliability			
At 17 V DC/7 mA	H_F		N/O: 1 failure per 17×10^6 switching operations, statistically determined
Max. short-circuit protective device			
Fuse	gG/gL	A	4
Rated conditional short-circuit current	I_q	kA	1

Switching capacity

Rated operational current	I_e	A	
AC-15			
24 V	I_e	A	4
DC-13			
24 V	I_e	A	3
Cable characteristics			
Design			Cable end open
Cable Length		m	1
Material characteristic			PUR
Diameter	∅	mm	4.7

Design verification as per IEC/EN 61439

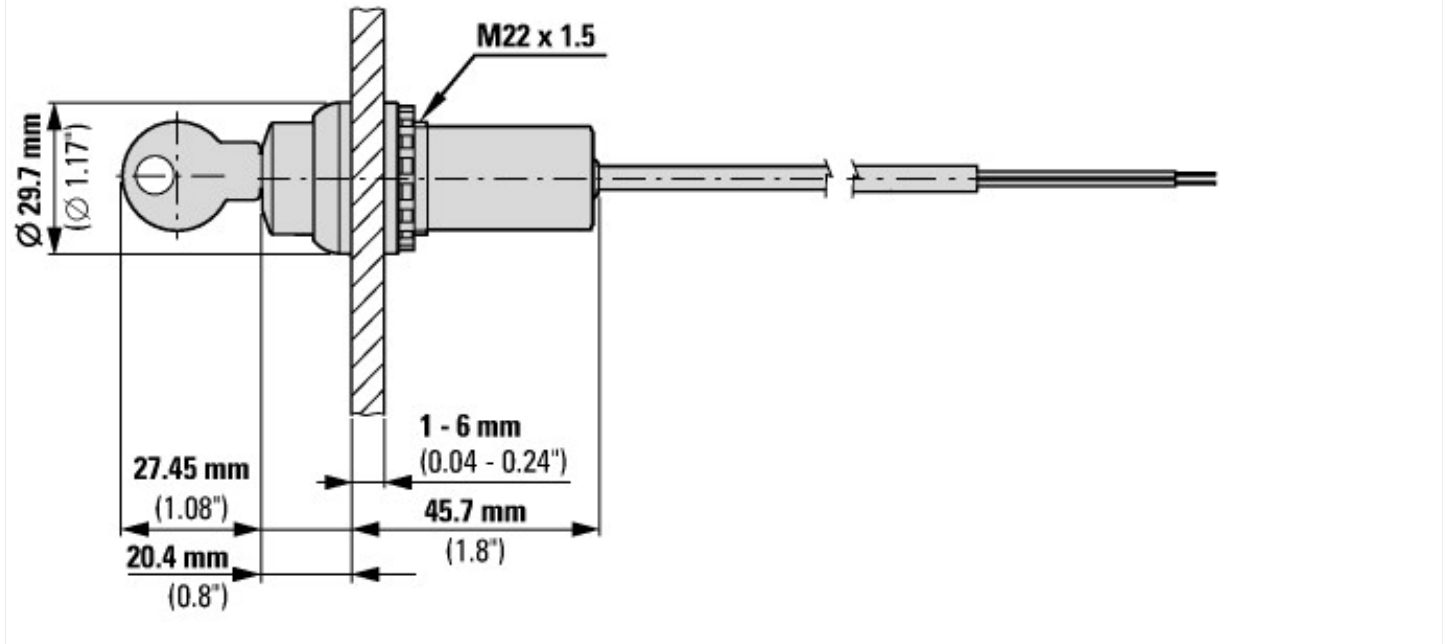
Technical data for design verification			
Operating ambient temperature min.		°C	-25
Operating ambient temperature max.		°C	70

Technical data ETIM 6.0

Low-voltage industrial components (EG000017) / Selector switch, complete (EC001029)			
Electric engineering, automation, process control engineering / Low-voltage switch technology / Command and alarm device / Selector switch, complete unit (ecl@ss8.1-27-37-12-43 [ACN984008])			
Number of switch positions			2
Type of control element			Key
Suitable for illumination			No
With lamp			No
Colour button			Black
Hole diameter		mm	22
Width opening		mm	0
Height meter opening		mm	0
Switching function latching			Yes
Spring-return			No
Degree of protection (IP)			IP66
Supply voltage		V	0 - 0
Number of contacts as normally open contact			1
Number of contacts as normally closed contact			0
Number of contacts as change-over contact			0

Type of electric connection		Other
With front ring		Yes
Material front ring		Plastic
Colour front ring		Other

Dimensions



Assets (Links)

Declaration of Conformity

00002596

Additional product information (links)

IL047016ZU RMQ compact solution

IL047016ZU RMQ compact solution

ftp://ftp.moeller.net/DOCUMENTATION/AWA_INSTRUCTIONS/IL047016ZU2017_01.pdf