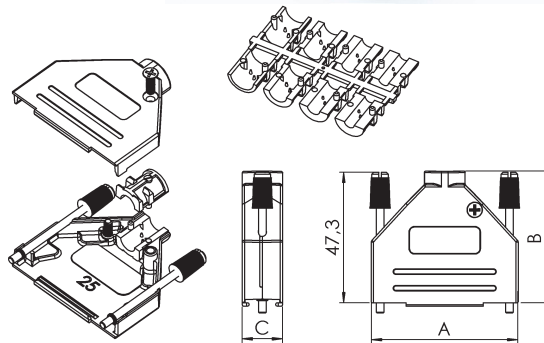
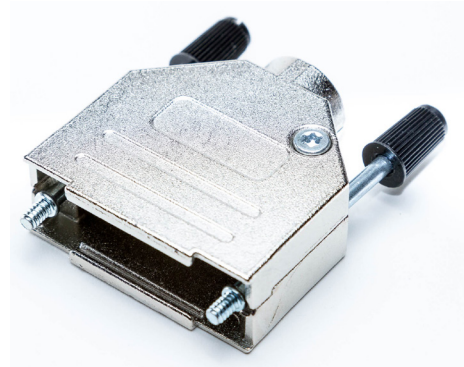


# Shielded D-Sub Backshells DTZK Series

## TECHNICAL SPECIFICATIONS

Material:	Zinc, Ni-plated
Temp. range:	-40°C - 120°C
Cable strain relief:	Polycarbonate, PC UL94 V0
Cable diameter:	3.0 - 13.0 mm <17.0 mm DTZK50
Locking screws:	Long jackscrews with moulded top for colour coding
Assembly screws:	Taptite thread forming
Cable outlet:	Straight
Attenuation factor:	> 40 dB between 30 MHz and 1 GHz



TYPE	A	B	C
DTZK9	31	38,3	14,6
DTZK15	39,5	40,5	14,6
DTZK25	53,2	47,3	14,6
DTZK37	70,9	52,2	14,6
DTZK50	67,3	52,1	17,4

## PART NUMBERING SYSTEM

Series: \_\_\_\_\_  
DTZK  
Size: \_\_\_\_\_  
9, 15, 25, 37 and 50  
Thread (jackscrew): \_\_\_\_\_  
Omit = UNC 4-40  
M2.5  
M2.6  
M3.0

DTZK25 - - RED - K

Packaging:  
K = Kit package  
BULK = Bulk package / 100 pcs  
Colour (jackscrew):  
Omit = Black  
Other colours available: beige, blue,  
brown, green, ivory, red, white and yellow

## FEATURES

- Available in sizes 9, 15, 25, 37 and 50
- Minimise interference from electromagnetic and RF sources
- Non-static parts avoid ESD problems
- Accept round foil and braided cable types
- No special assembly tools required
- Printed logotype available upon request
- Long jackscrews with UNC 4-40 thread as standard, M2.5, M2.6 or M3.0 as option
- For custom designed solutions, please consult factory