

Enclosed Switch Disconnecter



Approvals	CB, CE & SEMKO
UL Standard	UL508
International / European Standard	IEC & EN 60947-1 and 3

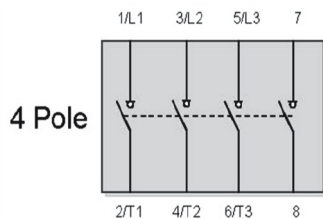
Switch Specifications

Data	Range	Switch Codes	Units	
		LB634P		
Rated operational voltage Ue				
IEC & EN	Volts	690	V	
UL	Volts	600	V	
Main switch: Isolating voltage up to	Volts	750	V	
Rated impulse withstand voltage Uimp	Volts	6	kV	
Rated uninterrupted current Iu	Amps	40	A	
Rated operational current Ie				
IEC & EN	AC-22A	Up to 690V	40	A
	AC-21A	Up to 690V	63	A
	AC-1	Up to 690V	63	A
Rated operational power AC-23A (50-60Hz)				
IEC & EN	3 Phase	220 - 240V	22	kW
		380 - 440V	30	kW
		500 - 690V	45	kW
Rated operational power AC-3 (50-60Hz)				
IEC & EN	3 Phase	220 - 240V	15	kW
		440V	18.5	kW
		690V	30	kW
UL Power Rating				
DOL	3 Phase	120V	5	hp
		240V	10	hp
		480V	20	hp
		600V	30	hp
	1 Phase	120V	3	hp
		240V	5	hp

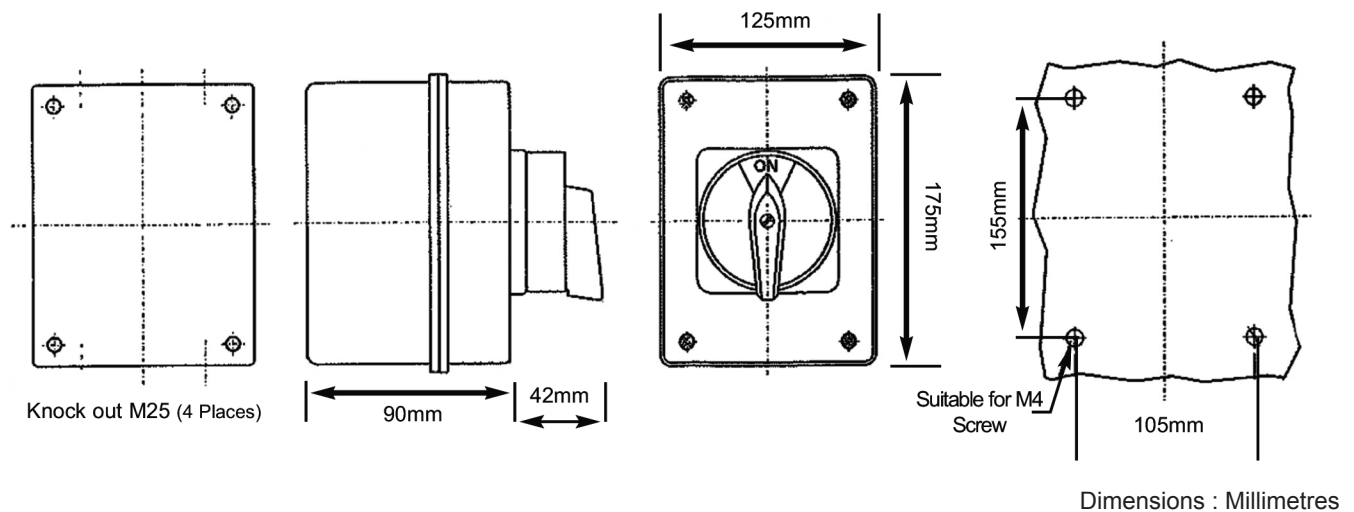
Enclosed Switch Disconnecter

Data	Range	Switch Codes	Units
		LB634P	
UL Short Circuit Ratings			
Fuse rating, class J	Amps	70	A
Fuse rating, class RK5	Amps	-	A
Rated Fused short circuit current	Amps	10	kA
Short Circuit Capacity (IEC)			
Max fuse size (Type gl)	Amps	63	A
Rated Fused short circuit current	Amps	30	kA
Terminal Specification			
Single/ Multiple strand wire		2.5	Min-mm ²
		25	Max-mm ²
Fine strand with sleeve		2.5	Min-mm ²
		10	Max-mm ²
American wire gauge		6	AWG
Recommended Tightening Torque		2	Nm

Terminal Configuration



Mounting Details



Enclosed Switch Disconnecter

Procedure to dismantle the cover

- Ensure the switch is in the OFF position
- Unscrew the cover screws & remove the cover
- For easy wiring the switch can be removed from the base by simply removing the two fixing screws. Once wiring is completed replace the switch and secure in position with the fixing screws (taking care not to over tighten - recommended tightening torque 0.5Nm)
- After wiring ensure the profile orientation of the actuating spindle & knob shaft are in the same position
- Replace the cover & take care not to overtighten the screws (recommended tightening torque 0.5Nm)
- Do not install using power driven screwdrivers

Note: There is no need to remove the switch handle in order to remove the cover.

Part Number Table

Description	Part Number
Enclosed Switch Disconnecter, Boxed Isolator, 4 Pole, 63A	LB634P

Important Notice : This data sheet and its contents (the "Information") belong to the members of the Premier Farnell group of companies (the "Group") or are licensed to it. No licence is granted for the use of it other than for information purposes in connection with the products to which it relates. No licence of any intellectual property rights is granted. The Information is subject to change without notice and replaces all data sheets previously supplied. The Information supplied is believed to be accurate but the Group assumes no responsibility for its accuracy or completeness, any error in or omission from it or for any use made of it. Users of this data sheet should check for themselves the Information and the suitability of the products for their purpose and not make any assumptions based on information included or omitted. Liability for loss or damage resulting from any reliance on the Information or use of it (including liability resulting from negligence or where the Group was aware of the possibility of such loss or damage arising) is excluded. This will not operate to limit or restrict the Group's liability for death or personal injury resulting from its negligence. Multicomp is the registered trademark of the Group. © Premier Farnell Limited 2016.