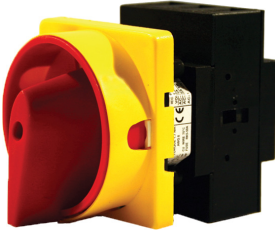


Switch Disconnecter



Approvals	CB, CE & SEMKO
UL Standard	UL508
International / European Standard	IEC & EN 60947-1 and 3

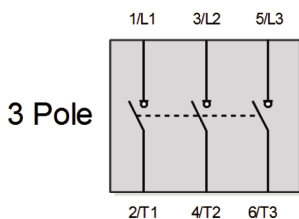
Data	Range	Switch Codes				Units	
		LBPM253P	LBPM323P	LBPM403P	LBPM633P		
Rated operational voltage U_e							
IEC & EN	Volts	690	690	690	690	V	
UL	Volts	600	600	600	600	V	
Main switch: Isolating voltage up to	Volts	750	750	750	750	V	
Rated impulse withstand voltage U _{imp}	Volts	6	6	6	6	kV	
Rated uninterrupted current I _u	Amps	25	32	40	63	A	
Rated operational current I_e							
IEC & EN	AC-22A	Up to 690V	25	32	40	63	A
	AC-21A	Up to 690V	32	40	63	80	A
	AC-1	Up to 690V	32	40	63	80	A
Rated operational power AC-23A (50-60Hz)							
IEC & EN	3 Phase	230 (240)V	11	15	22	30	kW
		400 (415)V	15	18.5	30	37	kW
		690V	22	22	45	45	kW
Rated operational power AC-3 (50-60Hz)							
IEC & EN	3 Phase	230 (240)V	7.5	11	15	22	kW
		400 (415)V	11	11	18.5	22	kW
		690V	15	15	30	30	kW
UL Power Rating							
DOL	3 Phase	120V	3	3	5	7.5	hp
		240V	7.5	7.5	10	15	hp
		480V	15	20	20	25	hp
		600V	20	25	30	30	hp
	1 Phase	120V	1.5	2	3	3	hp
		240V	2	3	5	7.5	hp

Switch Disconnect

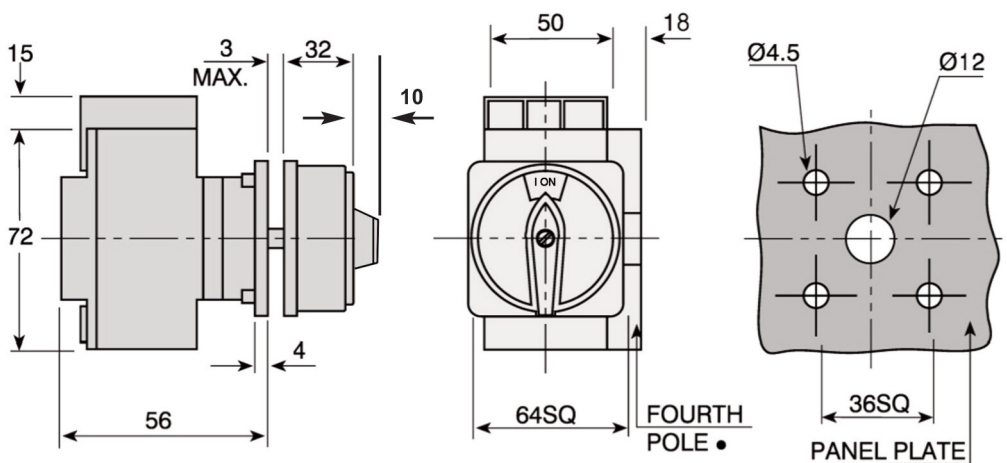


Data	Range	Switch Codes				Units
		LBPM253P	LBPM323P	LBPM403P	LBPM633P	
UL Short Circuit Ratings						
Fuse rating, class J	Amps	45	45	70	70	A
Fuse rating, class RK5	Amps	-	-	-	-	A
Rated Fused short circuit current	Amps	10	10	10	10	kA
Short Circuit Capacity (IEC)						
Max fuse size (Type gl)	Amps	32	32	63	63	A
Rated Fused short circuit current	Amps	30	30	30	30	kA
Terminal Specification						
Single/ Multiple strand wire		2.5	2.5	2.5	2.5	Min-mm ²
		10	10	25	25	Max-mm ²
Fine strand with sleeve		0.75	0.75	2.5	2.5	Min-mm ²
		6	6	10	10	Max-mm ²
American wire gauge		10	10	6	6	AWG
Recommended Tightening Torque		1.7	1.7	2	2	Nm

Terminal Configuration



3 Pole Panel Mount Load break Switch Dimensions

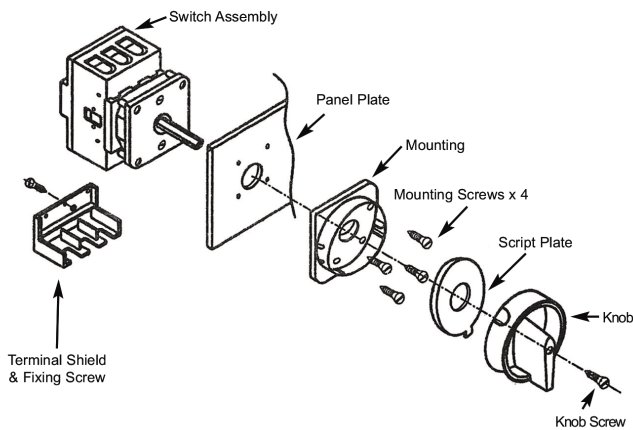


Dimensions : Millimetres

www.element14.com
www.farnell.com
www.newark.com



Switch Assemble Diagram



Part Number Table

Description	Part Number
Enclosed Switch Disconnecter, Panel Mount, 3 Pole, 25A	LBPM253P
Enclosed Switch Disconnecter, Panel Mount, 3 Pole, 32A	LBPM323P
Enclosed Switch Disconnecter, Panel Mount, 3 Pole, 40A	LBPM403P
Enclosed Switch Disconnecter, Panel Mount, 3 Pole, 63A	LBPM633P

Important Notice : This data sheet and its contents (the "Information") belong to the members of the Premier Farnell group of companies (the "Group") or are licensed to it. No licence is granted for the use of it other than for information purposes in connection with the products to which it relates. No licence of any intellectual property rights is granted. The Information is subject to change without notice and replaces all data sheets previously supplied. The Information supplied is believed to be accurate but the Group assumes no responsibility for its accuracy or completeness, any error in or omission from it or for any use made of it. Users of this data sheet should check for themselves the Information and the suitability of the products for their purpose and not make any assumptions based on information included or omitted. Liability for loss or damage resulting from any reliance on the Information or use of it (including liability resulting from negligence or where the Group was aware of the possibility of such loss or damage arising) is excluded. This will not operate to limit or restrict the Group's liability for death or personal injury resulting from its negligence. Multicomp is the registered trademark of the Group. © Premier Farnell Limited 2016.