

## Connector - PRC 5-FC-FS6 8-21 HR - 1017632

Please be informed that the data shown in this PDF Document is generated from our Online Catalog. Please find the complete data in the user's documentation. Our General Terms of Use for Downloads are valid (<http://phoenixcontact.com/download>)



PRC connector, hand-release-ready, black, 5-pos., 1.5 mm<sup>2</sup> ... 6 mm<sup>2</sup> / 690 V / 35 A, with screw connection for cables with an outer diameter of 8 mm ... 21 mm.



### Key Commercial Data

Packing unit	1 STK
GTIN	 4 055626 501819
GTIN	4055626501819
Weight per Piece (excluding packing)	104.700 g
Custom tariff number	85366990
Country of origin	Germany
Note	Made to Order (non-returnable)

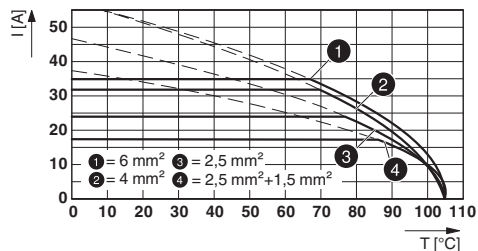
### Technical data

Product type	Circular connector (cable-side)
Cable diameter	8 mm ... 21 mm
Coding	AD
Number of positions	5
Connection method	Screw connection

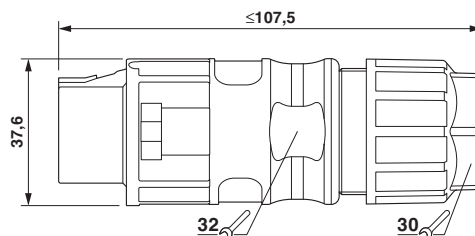
### Drawings

# Connector - PRC 5-FC-FS6 8-21 HR - 1017632

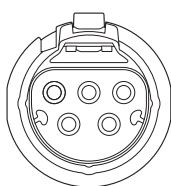
Diagram



Dimensional drawing

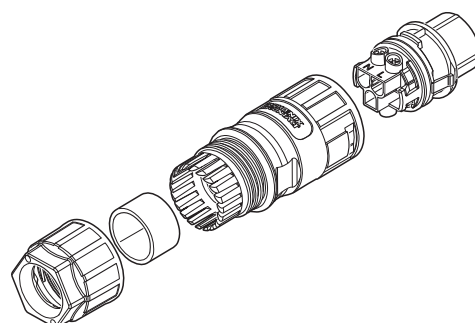


Schematic diagram



Connector pin assignment

Schematic diagram



Schematic design

## Classifications

eCl@ss

eCl@ss 8.0	27440102
eCl@ss 9.0	27440103

## Accessories

Accessories

Circular connector (cable-side)

Protective cap - PRC COVER F - 1409236



Protective cap for 3 and 5-pos. PRC field plugs

## Connector - PRC 5-FC-FS6 8-21 HR - 1017632

### Accessories

Accessories - PRC FC RELEASE LATCH GY - 1002292



Manual release latch for PRC HR variants, color: gray

---

Accessories - PRC FC RELEASE LATCH GN - 1002290



Manual release latch for PRC HR variants, color: green

---

Accessories - PRC FC RELEASE LATCH BU - 1002293



Manual release latch for PRC HR variants, color: blue

---

### Screwdriver tools

Screwdriver - SZF 1-0,6X3,5 - 1204517



Actuation tool, for ST terminal blocks, also suitable for use as a bladed screwdriver, size: 0.6 x 3.5 x 100 mm, 2-component grip, with non-slip grip

---

Screwdriver - SZF 0-0,4X2,5 - 1204504



Actuation tool, for ST terminal blocks, also suitable for use as a bladed screwdriver, size: 0.4 x 2.5 x 75 mm, 2-component grip, with non-slip grip

---

## Connector - PRC 5-FC-FS6 8-21 HR - 1017632

### Accessories

Philips screwdriver - SF-PH 1-80 S-VDE - 1212693



Screwdriver, crosshead PH (lasered), insulated, size: PH 1 x 80, 2-component handle, with non-slip grip

---

Phoenix Contact 2018 © - all rights reserved  
<http://www.phoenixcontact.com>