

**PLEASE CHECK WWW.MOLEX.COM FOR LATEST PART INFORMATION**

**Part Number:** [5055750571](#)  
**Status:** **Active**  
**Overview:** Micro-Lock Plus Wire-to-Board Connector System  
**Description:** Micro-Lock PLUS Vertical Header, 2.00mm Pitch, Single Row, Matte Tin Plating, 5 Circuits, Black

**Documents:**

<a href="#">Drawing (PDF)</a>	<a href="#">Application Specification 5055700001-A03 (PDF)</a>
<a href="#">Product Specification 5055700001-001 (PDF)</a>	<a href="#">Packaging Specification 5055759200-200 (PDF)</a>
<a href="#">Application Specification 5055700001-A02 (PDF)</a>	<a href="#">RoHS Certificate of Compliance (PDF)</a>

**General**

Product Family	PCB Headers
Series	<a href="#">505575</a>
Application	Signal, Wire-to-Board
Overview	<u>Micro-Lock Plus Wire-to-Board Connector System</u>
Product Name	Micro-Lock PLUS
UPC	889056579766

**Physical**

Breakaway	No
Circuits (Loaded)	5
Circuits (maximum)	5
Color - Resin	Black
Durability (mating cycles max)	30
First Mate / Last Break	No
Glow-Wire Capable	No
Guide to Mating Part	No
Keying to Mating Part	None
Lock to Mating Part	Yes
Material - Metal	Brass
Material - Plating Mating	Matte Tin
Material - Plating Termination	Matte Tin
Material - Resin	Polyamide
Net Weight	683.180/mg
Number of Rows	1
Orientation	Vertical
PCB Locator	No
PCB Retention	Yes
Packaging Type	Embossed Tape on Reel
Pitch - Mating Interface	2.00mm
Pitch - Termination Interface	2.00mm
Plating min - Mating	1.000µm
Plating min - Termination	1.000µm
Polarized to Mating Part	Yes
Polarized to PCB	Yes
Stackable	No
Temperature Range - Operating	-40°C to +105°C
Termination Interface: Style	Surface Mount

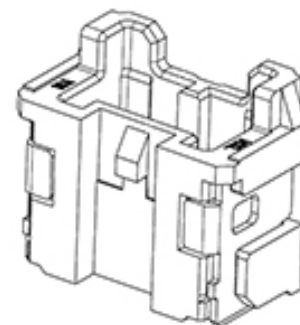
**Electrical**

Current - Maximum per Contact	3.0A
Voltage - Maximum	250V AC (RMS)/DC

**Material Info**

**Reference - Drawing Numbers**

Application Specification	5055700001-A02, 5055700001-A03
---------------------------	--------------------------------



*Series image - Reference only*

**EU ELV**

**Not Relevant**

**EU RoHS**

**Compliant**

**REACH SVHC**

Not Contained Per  
-ED/01/2018 (15  
January 2018)

**Halogen-Free**

**Status**

**Low-Halogen**

**Need more information on product environmental compliance?**

Email [productcompliance@molex.com](mailto:productcompliance@molex.com)  
Please visit the [Contact Us](#) section for any non-product compliance questions.

China ROHS	Green Image
ELV	Not Relevant
RoHS Phthalates	Not Contained

**Search Parts in this Series**

[505575](#) Series

**Mates With**

Micro-Lock PLUS Receptacle Housing  
[505570](#)

Packaging Specification  
Product Specification  
Sales Drawing

5055759200-200  
5055700001-001  
5055750001-000, 5055750001-001

This document was generated on 03/27/2018

**PLEASE CHECK [WWW.MOLEX.COM](http://WWW.MOLEX.COM) FOR LATEST PART INFORMATION**