

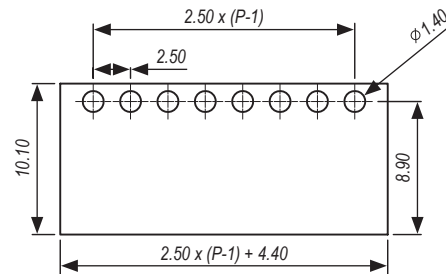
Terminal Block Plug Horizontal Header 20.2500MH/xx-E

- 150V 4A UL
- UL94-V0
- PA66
- 2.5mm Pin Pitch
- RoHS Compliant
- xx = Number of Poles (available from 2~24 poles)

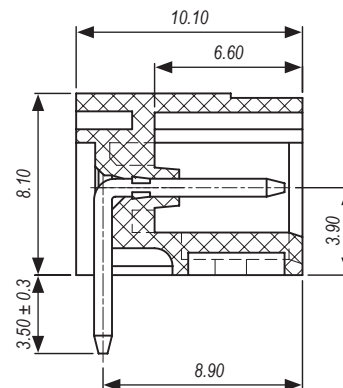
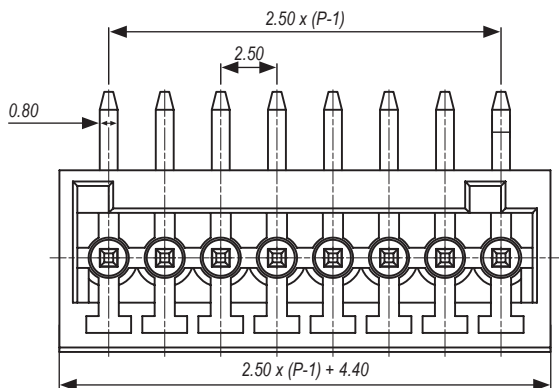


Technical Data

Pitch	2.5mm
UL Rating	150V 4Amps
IEC Rating	130V 5Amps
Solder Pin	n/a
Wire Range	n/a
PCB Hole Diameter	1.4mm
Screw	n/a
Screw Torque	n/a
Insulation Voltage	AC1250V / 1 Min
Initial Contact Resistance	20mΩ
Insulation Resistance	500MΩ / DC500V
Temperature Range	-40 to +105°C
Max Soldering	+250°C for 5 sec



PCB Layout



Dimensions shown in mm P = No of Poles

Supplied in green as standard
Other colour options and printing may be available depending upon quantity
Please contact IMO for further information