

# Terminal Block Screwless 20.3302M/xx-E

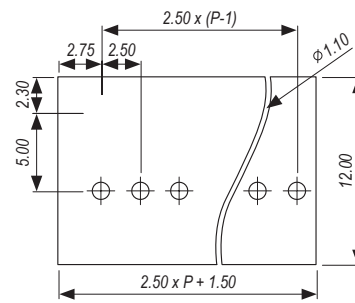
- 300V 4A UL
- UL94-V0
- PA66
- 2.50mm Pin Pitch
- RoHS Compliant
- xx = Number of Poles (available from 2~24 poles)



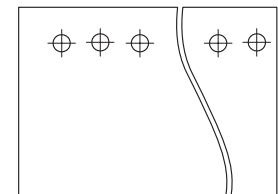
## Technical Data

<b>Pitch</b>	2.50mm
<b>UL Rating</b>	300V 4Amps
<b>IEC Rating</b>	250V 6Amps
<b>Solder Pin</b>	Brass, Tin Plated
<b>Wire Range</b>	28-20AWG (0.5mm <sup>2</sup> )
<b>PCB Hole Diameter</b>	1.1mm
<b>Screw</b>	n/a
<b>Screw Torque</b>	n/a
<b>Insulation Voltage</b>	AC2000V / 1 Min
<b>Initial Contact Resistance</b>	20mΩ
<b>Insulation Resistance</b>	500MΩ / DC500V
<b>Temperature Range</b>	-40 to +105°C
<b>Max Soldering</b>	+250°C for 5 sec

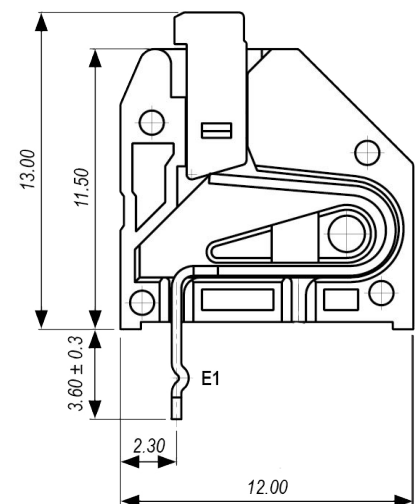
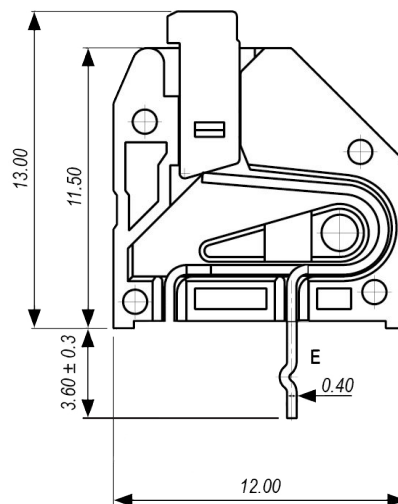
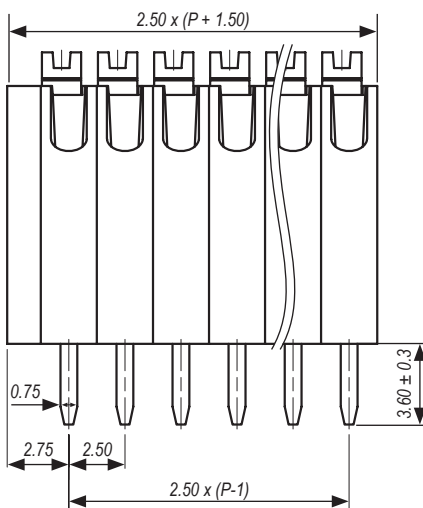
## PCB Layout



Standard  
20.3302M/xx-E



Type 1 Layout  
20.3302M/xx-E1



Dimensions shown in mm      P = No of Poles

Supplied in grey as standard  
Other colour options and printing may be available depending upon quantity  
Please contact IMO for further information