

Terminal Block Screwless 20.3303M/xx-E

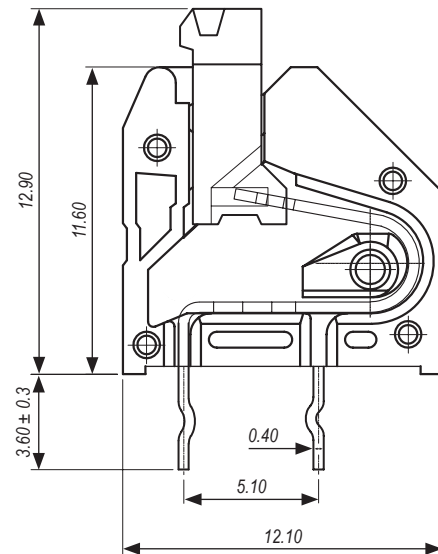
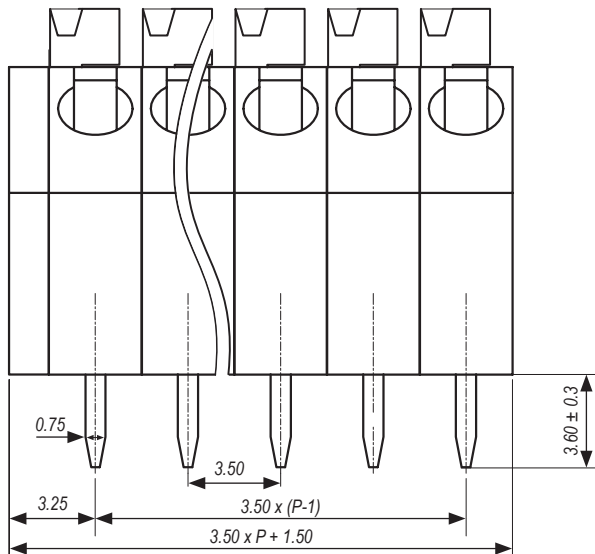
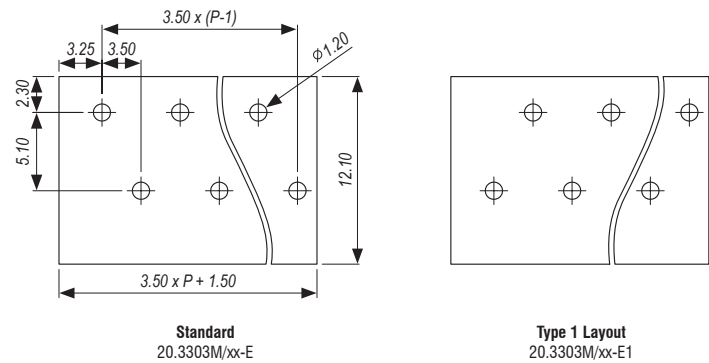
- 300V 5A UL
- UL94-V0
- PA66
- 3.50mm Pin Pitch
- RoHS Compliant
- xx = Number of Poles (available from 2~24 poles)



Technical Data

Pitch	3.50mm
UL Rating	300V 5Amps
IEC Rating	450V 8Amps
Solder Pin	Brass, Tin Plated
Wire Range	26-16AWG (1.5mm ²)
PCB Hole Diameter	1.2mm
Screw	n/a
Screw Torque	n/a
Insulation Voltage	AC2000V / 1 Min
Initial Contact Resistance	20mΩ
Insulation Resistance	500MΩ / DC500V
Temperature Range	-40 to +105°C
Max Soldering	+250°C for 5 sec

PCB Layout



Dimensions shown in mm P = No of Poles

Supplied in grey as standard
Other colour options and printing may be available depending upon quantity
Please contact IMO for further information