

Midget Twist-Lock® Devices
 15A, 125/250V AC, 3 Pole, 3 Wire
 Non-Grounding
 Flanged Inlet

HUBBELL



15A 125/250V
 NEMA ML-3P



Features

- Fully Insulated nylon casing with integral flange
- Black color blends in with equipment

Ordering Information

Description	Terminals	UPC	Catalog Number
Black nylon flanged inlet.	Exposed	783585237459	HBL7486N

Listings

Listed to UL 498
 Certified to CSA C22.2 No.42

Specifications

Flange	Nylon
Base	Nylon
Blades	Brass
Terminal Screws	#5-40 Brass

Performance

Electrical

Current Interrupting Certified for current interrupting at full rated current
 Dielectric Voltage Withstands 2,000V minimum

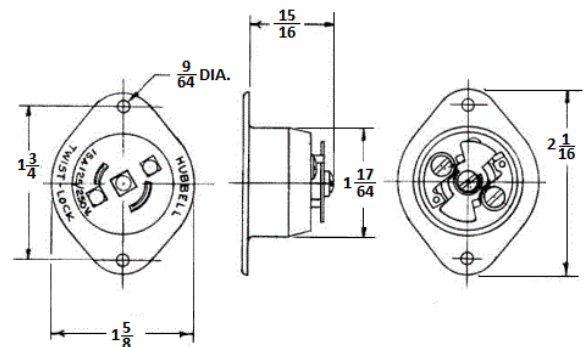
Mechanical

Terminal Accommodation #18 AWG - #14 AWG solid or stranded copper wire only.

Terminal Identification Terminals identified in accordance with UL 498

Environmental

Flammability HB or better per UL94/CSA 22.2 No.0.17
 Moisture Resistance IP20 Suitability
 Operating Temperatures Maximum Continuous 75°C; Minimum -40°C (w/o impact)



Accessories

Valise® Connector	HBL7484V
Connector	HBL7484
Angled Connector	HBL7433

Resources

Customer Use Drawing
 eCatalog

Dimensions in Inches (mm)

Hubbell Wiring Device-Kellems • Hubbell Incorporated (Delaware) • 40 Waterview Drive • Shelton, CT 06484

Phone (800) 288-6000 • Fax (800) 255-1031 • Specifications subject to change without notice.

