

## Data sheet

**Connection line M12 X-coded, 1.0 m**  
**M12 plug angled - RJ45 plug straight**  
**8-pole, position of coding 135°**

Page 1/6

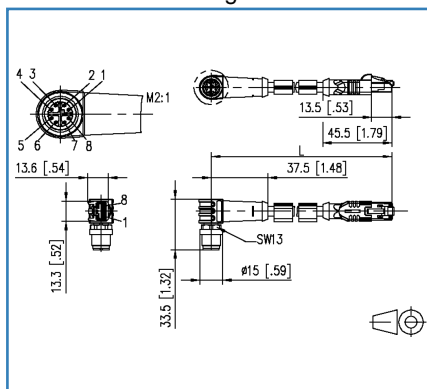
P/N  
**142M2XB5010**  
 EAN 4251394608693

2018-26-03

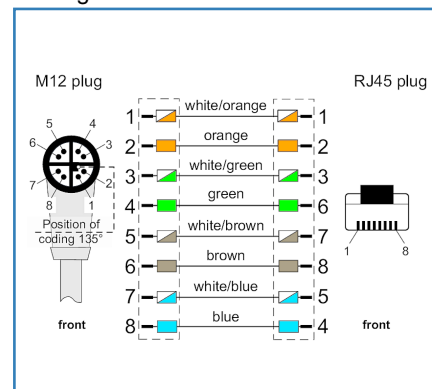
### Illustrations



Dimensional drawing



Wiring



See enlarged drawings at the end of document

### Product specification

- shielded M12X to RJ45 Ethernet connection line
- Cat.6<sub>A</sub>, 8-pole
- side 1: M12 connector, angled, position of coding 135°
- side 2: RJ45 plug, straight
- connectors over molded
- stranded wires 4x2xAWG26/7 PiMF
- overall shield tinned copper braid
- pin assignment per T568B
- green cable, PUR
- standard variants: 1.0 m, 2.0 m, 5.0 m, 10.0 m
- other cable lengths on request

## Data sheet

Page 2/6

### Connection line M12 X-coded, 1.0 m M12 plug angled - RJ45 plug straight 8-pole, position of coding 135°

P/N

142M2XB5010

EAN 4251394608693

2018-26-03

## Technical Data

### General Data

|                                     |  |
|-------------------------------------|--|
| Fields of application               | Industrial Ethernet  |
| Design                              | Ethernet-Connection line   |
| Shielding                           | shielded   |
| Transmission technology             | Copper   |
| Cable Type                          | S/FTP  |
| Number of twisting elements         | 4  |
| Twisting element                    | Pair   |
| Wiring                              | T568B  |
| Color coding fiber/ wire(s)         | white/orange, orange, white/green, green, white/brown, brown, white/blue, blue |
| Color                               | green  |
| Dimensions                          |  |
| Dimension - Interface 1 (L x W x H) | 33.50 x 15.00 x 44.50 mm   |
| Dimension - Interface 1 (L x W x H) | 1.319 x 0.591 x 1.752 in.  |
| Dimension - Interface 2 (L x W x H) | 45.50 x 13.30 x 13.60 mm   |
| Dimension - Interface 2 (L x W x H) | 1.791 x 0.524 x 0.535 in.  |
| Cable length (m)                    | 1.00 m   |
| Labeling option                     | identification label carrier   |

### Transmission characteristics

|                |                |
|----------------|----------------|
| Category (ISO) | 6 <sub>A</sub> |
|----------------|----------------|

### Connections/interfaces

|   |                       |
|---|-----------------------|
| Connector technology interface 1                | M12-plug              |
| Connector technology interface 2                | RJ45 plug             |
| Coding interface 1                              | X-coded               |
| Number of positions/contacts interface 1        | 8                     |
| Number of positions/contacts interface 2        | 8P/8C                 |
| Termination data, stranded wire (min. - max.)   |                       |
| Conductor cross section, stranded wire          | AWG 26/7              |
| Conductor cross section, stranded wire          | 0.141 mm <sup>2</sup> |
| Conductor diameter, stranded wire (bare copper) | 0.483 mm              |
| Conductor diameter, stranded wire (bare copper) | 0.019 in.             |



## Data sheet

Page 3/6

### Connection line M12 X-coded, 1.0 m M12 plug angled - RJ45 plug straight 8-pole, position of coding 135°

P/N

142M2XB5010

EAN 4251394608693

2018-26-03

## Technical Data

### Connections/interfaces

Cable sheath diameter (min. - max.)

Cable sheath diameter 6.40 mm

Cable sheath diameter 0.236 in.

### Electrical characteristics

Current carrying capacity 0.5 (M12), 1 (RJ45) A

Insulation resistance min. 100 MOhm

### Mechanical characteristics

Maximum operating bending radius 64 mm

Maximum operating bending radius 2.52 in.

Maximum installation load 32 mm

Maximum installation load 1.26 in.

Shielding braid coverage 70 %

### Materials and material properties

Material - Conductor Cu (copper)

Material - Conductor Insulation Polyethylen

Material - Cable jacket PUR

Material - Body interface 1 Plastics

Material - Body interface 2 Plastics

Material - Contact interface 1 CuZn (brass)

Material - Contact interface 2 CuZn (brass)

Material - Contact finish interface 1 Au (gold)

Material - Contact finish interface 2 Au (gold)

Material - Contact carriers interface 1 Plastics

Material - Contact carriers interface 2 Plastics

Material - Union nut interface 1 CuZn (brass)

Material - Union nut finish interface 1 Ni (nickel)

Material - Pair shield plastic film

Material - Pair shield finish Al (Aluminium)

Material - Main shield Cu (copper) braid

Material - Main shield finish Sn (tin)

Flame retardancy yes

Halogen free yes



## Data sheet

Page 4/6

### Connection line M12 X-coded, 1.0 m M12 plug angled - RJ45 plug straight 8-pole, position of coding 135°

P/N

142M2XB5010

EAN 4251394608693

2018-26-03

## Technical Data

### Materials and material properties

|                |     |
|----------------|-----|
| Oil resistance | yes |
| UV-resistance  | yes |

### Environmental conditions

|                                      |                            |
|--------------------------------------|----------------------------|
| Temperature (min. - max.)            |                            |
| Temperature - Operating °C           | -30 - 70 °C                |
| Temperature - Operating °F           | -22 - 158 °F               |
| Particulate ingress interface 1      | IP6X when plugged in       |
| Liquid ingress/immersion interface 1 | IPX5, IPX7 when plugged in |
| Particulate ingress interface 2      | IP2X when plugged in       |
| Liquid ingress/immersion interface 2 | IPX0 when plugged in       |
| Pollution degree interface 1         | 2                          |
| Pollution degree interface 2         | 1                          |

### Approvals

|      |           |
|------|-----------|
| RoHS | compliant |
|------|-----------|

### The product meets the following standards

|  |                    |
|--|--------------------|
| Connectors for electronic equipment  |                    |
| Free and fixed connectors  | IEC 60603-7-51     |
| circular connector   | DIN EN 61076-2-109 |
| Multi-element metallic cables used in analogue and digital communication and control | DIN EN 50288-4-2   |
| Test for vertical flame propagation for a single insulated wire or cable             | DIN EN 60332-1-2   |
| Measurement of smoke density of cables burning                                       | IEC 61034          |

### Classifications

|          |          |
|----------|----------|
| ETIM 5.0 | EC002599 |
| ETIM 6.0 | EC002599 |



Data sheet

Page 5/6

**Connection line M12 X-coded, 1.0 m  
M12 plug angled - RJ45 plug straight  
8-pole, position of coding 135°**

P/N

142M2XB5010

EAN 4251394608693

2018-26-03

## Technical Data

### Packing details

|                   |                       |
|-------------------|-----------------------|
| Type of packaging | 1 pc(s) / plastic bag |
|-------------------|-----------------------|



Data sheet

Page 6/6

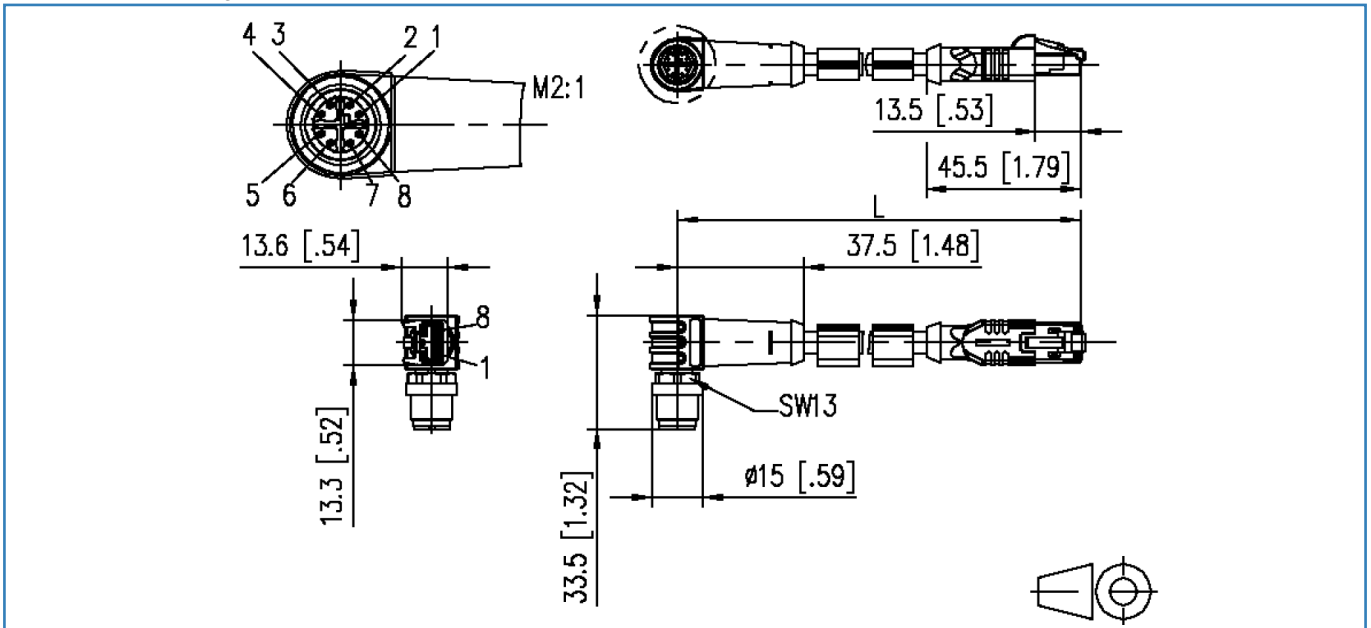
**Connection line M12 X-coded, 1.0 m  
M12 plug angled - RJ45 plug straight  
8-pole, position of coding 135°**

P/N  
**142M2XB5010**  
EAN 4251394608693

2018-26-03

**Illustrations**

Dimensional drawing



Wiring

