

16

1633 02

Power supply connectors

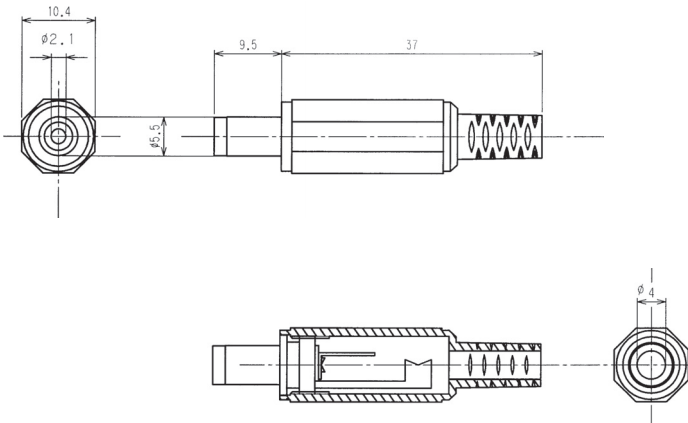


Power supply plug, straight version, with solder eyes and bend protection

State: Active

16

1633 02



Environmental conditions

Temperature range -20 °C/+70 °C

Materials

Insulating body	PF
Contact	Cu alloy, nickel-plated
Insulation	POM
Housing	PE

Mechanical data

Outer diameter	5,5 mm
Inner diameter	2,1 mm

Connectable conductors for solder area

Cable diameter 4 mm

Electrical data (at T_{amb} 20 °C)

Rated current	3 A
Rated voltage	24 V DC
Rated impulse voltage	500 V/60 s
Insulation resistance	$\geq 100 \text{ M}\Omega$

Associated products

Counterparts		
☞ 1610 02	☞ 1613 14	☞ 1613 18
☞ 1614 09	☞ 1614 14	☞ 1614 19
☞ NEB 21 R	☞ NEB/J 21	☞ NEB/J 21 C
☞ NEB/J 21 R	☞ NEK/J 210	

16

1633 02

Designation	Pole Number	PU (Pieces)	MDQ (Pieces)
1633 02	2	100	500

Packaging:

in bulk, in a cardboard box or a plastic bag