

# Data Sheet

## SP051xxVGNN

Page 1/5

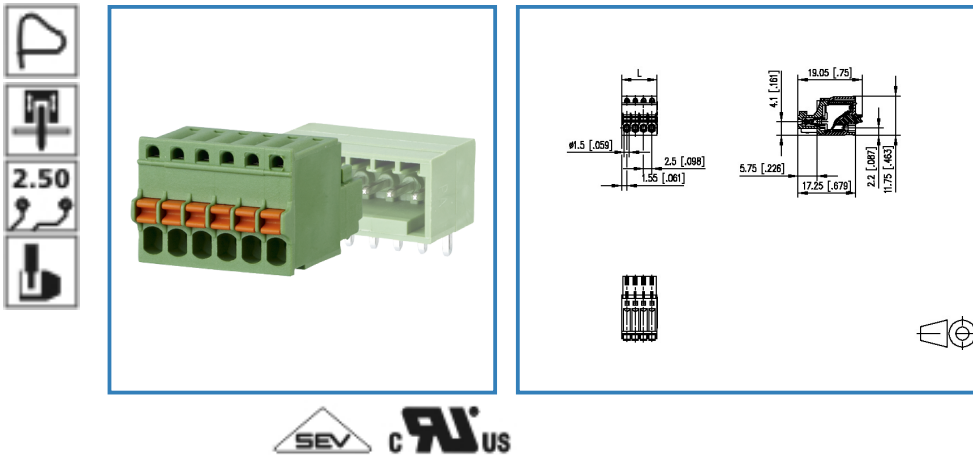
P/N

ASP051xx

xx=number of poles

2017/05/05

### Illustration



see enlarged drawing at the end of the document

### Product specification

- spring clamp terminal block, pluggable
- centerline 2.50 mm, direction of connection vertical 0°
- color green
- push-button, wire entry uncodeable side parallel to plug direction



# Data Sheet

## SP051xxVGNN

Page 2/5

P/N

ASP051xx

xx=number of poles

2017/05/05

### Technical Data



#### General Data

min. number of poles	2		
max. number of poles	12		
Insulating material class	CTI 600		
clearance/creepage dist.	1.7 mm		
protection category	IP 20		
Overvoltage category	III	III	II
Pollution degree	3	2	2

#### Connection data

Rated wiring solid wire	0.08 - 0.5 mm <sup>2</sup> / AWG 28 - 20
Rated wiring stranded wire	0.08 - 0.5 mm <sup>2</sup> / AWG 28 - 20

#### Approvals

 V / A / AWG	150 / 5 / 28 - 20
	6 A / 80 V / 2.5 kV / 3 / IEC 61984 / 0.08 - 0.5 mm <sup>2</sup>

#### Material

insulating material	PA66
flammability class	V0
spring material	Spring steel
contact material	CuSn
Glow-Wire Flammability GWFI	960
Glow-Wire Flammability GWIT	775
contact surface	Sn

#### Climatic properties

upper limit temperature	105 °C
lower limit temperature	-40 °C

#### General

Tolerance	ISO 2768 -mH
-----------	--------------



# Data Sheet

## SP051xxVGNN



# Data Sheet

## SP051xxVGNN

Page 4/5

P/N

ASP051xx

xx=number of poles

2017/05/05

### Matching Part

P/N	Product name
313541 (on request)	PT091xxHBEC Typ 354
313731	PT091xxVGBN Typ 373
313741	PT091xxHGBN Typ 374

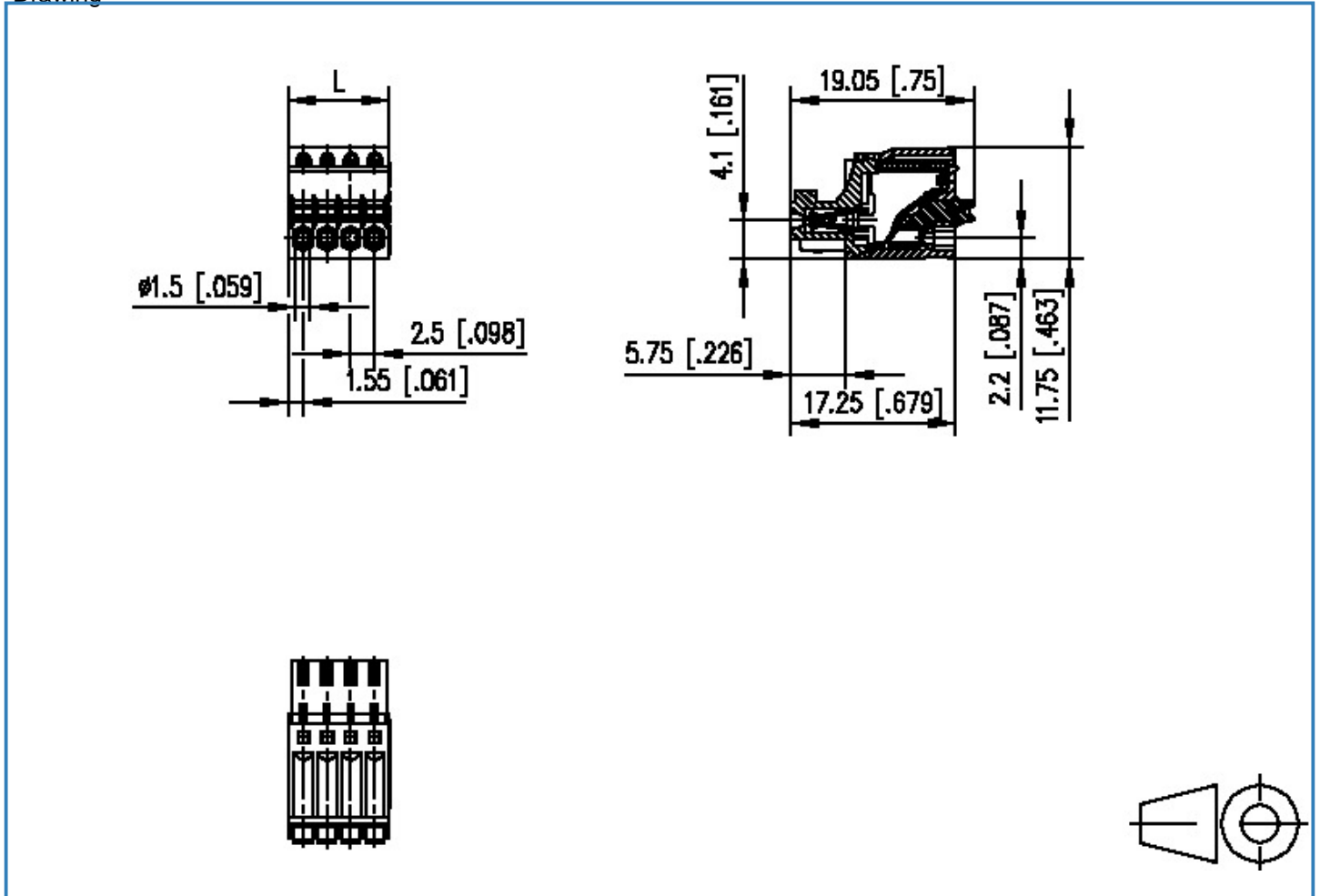


# Data Sheet

## SP051xxVGNN

### Illustration

Drawing



$$L = (\text{pole size} - 1) \times \text{centerline} + 3.1 [0.122]$$

