

# ROUND METAL CEILING Loudspeakers



## ➤ RCS4/T ➤ RCS4/FTS

### TECHNICAL SPECIFICATIONS

Rated power, Watts	4
Tappings 100 volt line, Watts	4/2/1/0.5/0.25
Transformer Impedance, Ohms, 100V	2.5k/5k/10k/20k/40k
Tappings 70.7 volt line, Watts	2/1/0.5/0.25/0.13
Driver impedance, Ohms	8
Effective Frequency Range, Hz(BSEN60268-5)	RCS4/T: 130-18KHz, RCS4/FTS: 200-18KHz
S.P.L. @ 1m, 1 watt, dB, Test Signal Bandwidth 100Hz-10 kHz	RCS4/T: 84, RCS4/FTS: 83
S.P.L. @ Full power Octave Bandwidth, dB	RCS4/T: 90, RCS4/FTS: 89
Acoustic Power (dB-PWL@1 watt) 1k/2k Hz	RCS4/T: 81/83, RCS4/FTS: 81/83
Dispersion at 1k/2k Hz, Degrees	RCS4/T: 180/180, RCS4/FTS: 180/180
Directivity Axial Q factor, 1k/2k Hz	RCS4/T: 1.90/2.20, RCS4/FTS: 1.70/2.20
IP Rating	21
Max/Min Ambient Temp	70°/-25°
Dimensions, diameter, mm	RCS4/T: Ø132, RCS4/FTS: Ø132
Net weight, Kgs	RCS4/T: 0.72, RCS4/FTS: 0.92
Colour/Finish	White RAL9016
Material	Steel
Mounting	Fixing Springs x 4 (stainless steel)
Cut-out, mm	RCS4/T: Ø119 RCS4/FTS: Ø119

- RCS4/FTS is BS5839 Part 8 voice alarm compliant
- IP Rating taken from the front of the speaker when installed horizontally in a ceiling.
- Recommended for internal use only

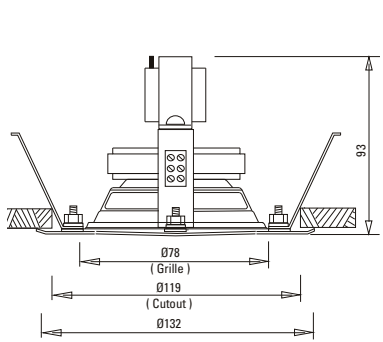
Manufacturer reserves the right to alter specifications without notice

September 2016

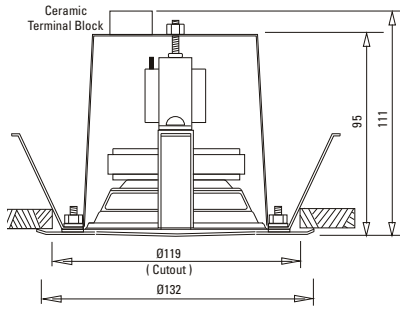
➤ **RCS4/T**   ➤ **RCS4/FTS**

**ROUND METAL CEILING LOUDSPEAKERS**

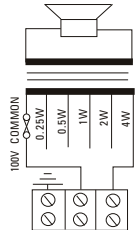
▼ **RCS4/T**  
side view  
unit: mm



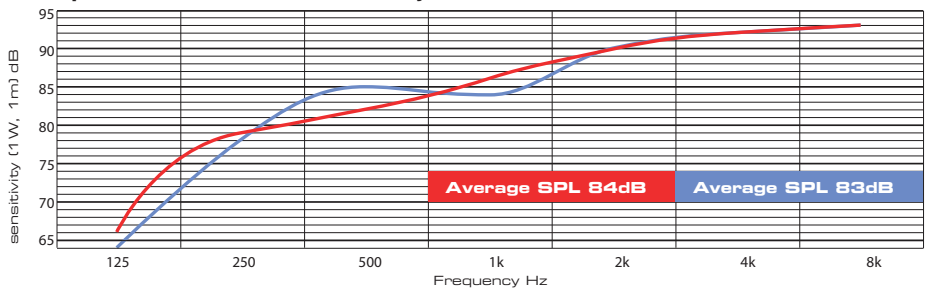
▼ **RCS4/FTS**  
side view  
unit: mm



▼ **circuit diagram**  
**RCS4/FTS**



**speech octave band sensitivity**



Effective Frequency Range

- **RCS4/T** 130Hz - 18KHz
- **RCS4/FTS** 200Hz - 18KHz



**Penton UK Ltd**  
Unit 2 Teville Industrials | Dominion Way | Worthing | West Sussex | BN14 8NW  
T: +44 (0)1903 215315 | F: +44(0)1903 215415 | E: SALES@PENTONUK.CO.UK

[www.pentonuk.co.uk](http://www.pentonuk.co.uk)