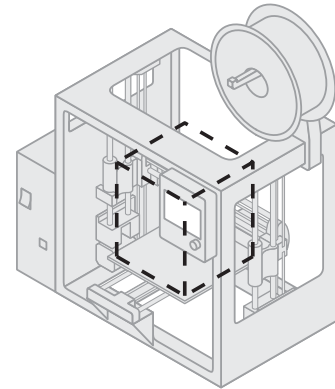




# Specification Sheet

## Printing

Print Technology	Fused Filament Fabrication
Build Volume	160mm x 160mm x 180mm (6.30" x 6.30" x 7.09")
Ambient Operating Temperature	From 5°C to 45°C (41°F to 113°F)
Maximum Travel Speed	300mm/s
Leveling	Automatic Compensation
Connectivity	USB or SD Card
Number of Extruders	One
Nozzle Diameter	0.5mm
Nozzle Temperature	Up to 290°C
Nozzle Heatup Time	From 23°C to 210°C in 73 seconds
Print Surface	Heated Borosilicate Glass/PEI
Maximum Build Plate Temperature	Up to 120°C
Build Plate Heat Up Time	From 23°C to 60°C in 97 seconds
Layer Resolution	0.05mm-0.4mm
Minimum Positive Feature Size	0.5mm



**Build Volume**  
160mm x 160mm x 180mm  
(6.30" x 6.30" x 7.09")

## Materials

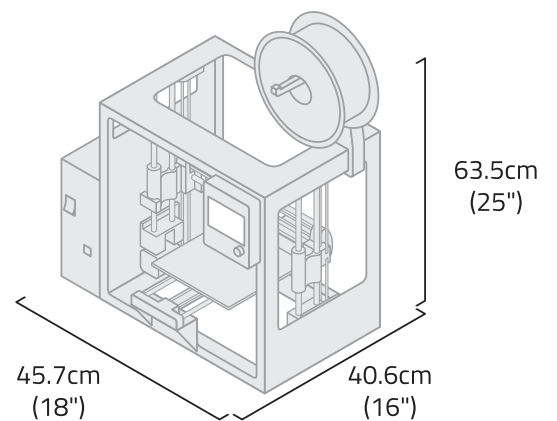
Filament Diameter	2.85mm
Supported Materials	Open filament system compatible with PLA, Natural PLA Blends, Metal PLA Blends, Ninjaflex, Polyflex, ABS, PETG, nGen, INOVA-1800, HIPS, HT, t-glase, Alloy 910, Bridge Nylon, Nylon 645, Polycarbonate, PC-Max, PC+PBT, PC-ABS Alloy, PCTPE, and more.

## Software

Operating System Compatibility	GNU/Linux, Mac, Windows
Recommended Software Package	Cura LulzBot Edition Version 3.2 or newer
Firmware	Marlin
Supported File Types	.stl, .obj, .x3d, .3mf, .png, .jpg

## Physical Dimensions

Boxed Unit Weight	12kg/26.5lbs
Unit Weight	9kg/19.85lbs (without filament spool)
Boxed Dimensions	58.4cm x 45.7cm x 53.3cm (23" x 18" x 21")
Dimensions with Filament Reel	45.7cm x 40.6cm x 63.5cm (18" x 16" x 25") using 3kg spool
Operating Footprint	45.7cm x 40.6cm (18" x 16")



**Physical Dimensions**

## Electrical

Power Requirements	100VAC-240VAC, 50Hz-60Hz, 3.2A max
Output	24VDC
Power Supply	Delta PMC-24V150W1AA

## Safety & Compliance

Certifications	UL, CSA, ETL, FCC, CE, WEEE, FSF-RYF, OSHWA
Warranty	Includes one-year warranty and technical support with optional one, two, or three-year extended warranty.
Country of Origin	Made in USA from domestic and imported components.