



SERIES 127 LOK TAINER

WEIGHT

1.29g/cm (.116 oz/in)

RECOMMENDED TORQUE

17.7 N-cm (25 in-oz)

MATERIALS AND FINISH

HOUSING

Material:

.025-in. (.64-mm) thick
Beryllium Copper per
QQ-C-533

Finish:

See finish table on
opposite page

CAM

Material:

Beryllium Copper per
QQ-C-533

Finish:

See finish table on
opposite page

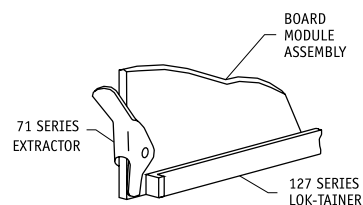
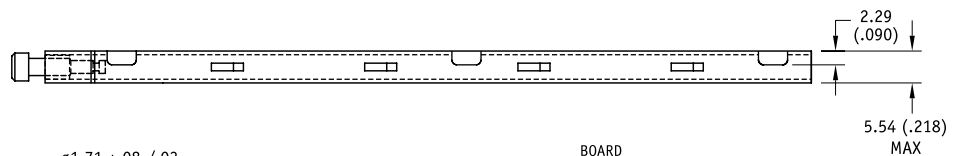
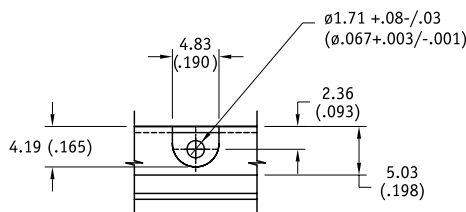
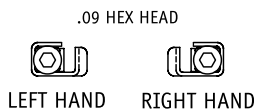
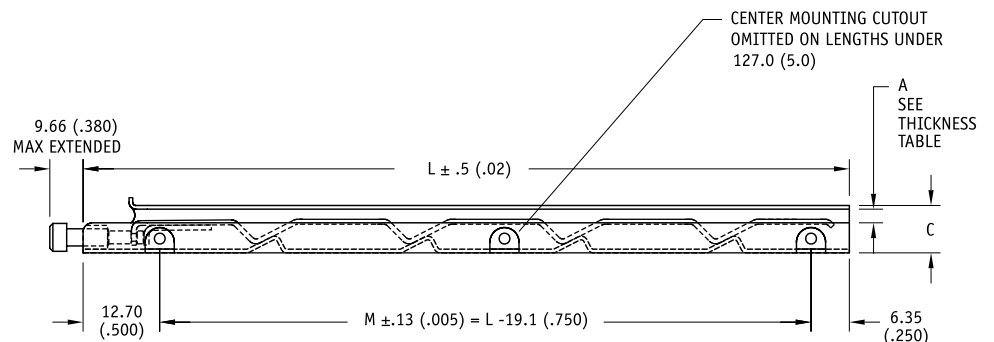
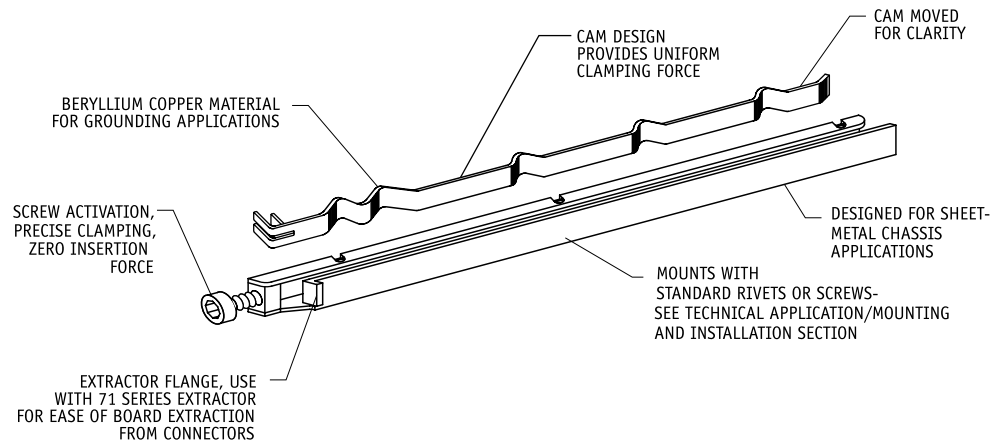
SCREW

Material:

Stainless
steel

Finish:

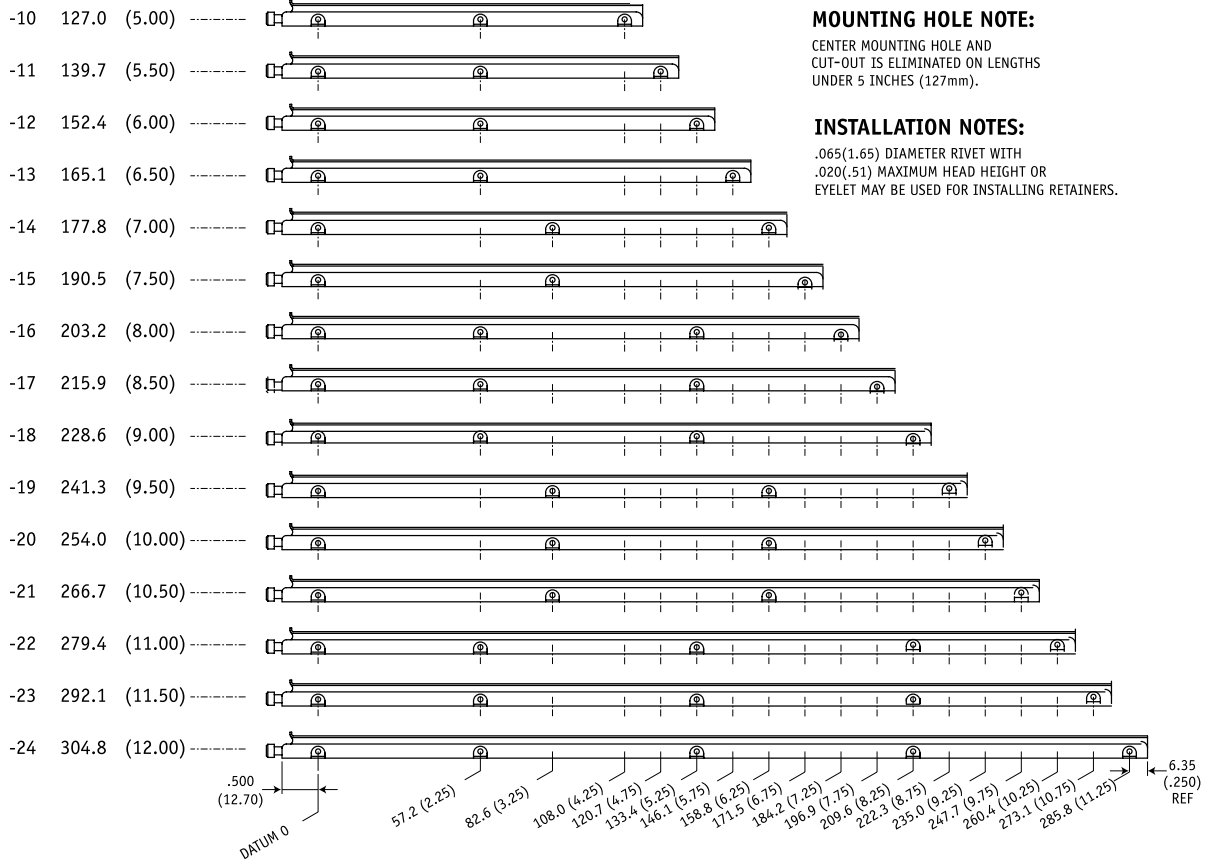
Passivated



71 SERIES EXTRACTOR
OPTIONAL/NOT TO SCALE

Units: mm(in)
unless specified otherwise,
.xx = ± .25, .x = ± .5
(.xxx = ± .010, .xx = ± .02)

MOUNTING HOLE DIMENSIONS



Part Number Code
Series 127 LOK-TAINER Screw-Actuated **127 - B - 2 - 10 - 5 - L**

Material
Beryllium Copper _____ **B**
or select from Materials Table

Board Thickness
1.60 (.063) PCB Thickness _____ **2**
or select from Board Thickness Table

Length
Length in 12.7 (.50) increments _____ **6 [76.2 (3.00)]**
_____ to **24 [304.8 (12.00)]**

Finish
Gold Plate _____ **5**
or select from Finish Table

Screw Action
Left hand _____ **L**
Right hand _____ **R**

Part Number Code example: 127B-4-12-6-R

Series 127 Screw-actuated LOK-TAINER, Beryllium Copper housing with flange, 152.4-mm (6.00-in.) long, Nickel plate finish, and right hand screw action.

MATERIALS TABLE

CODE LETTER	
B	BERYLLIUM COPPER, 1/4H PER ASTM-B-194
S	STEEL PER ASTM-A-366

BOARD THICKNESS TABLE

DASH #	BOARD THICKNESS		
	A MIN	A MAX	C
-2	.025 (0.64)	.070 (1.78)	.309 (7.85)
-4	.087 (2.21)	.132 (3.36)	.376 (9.55)

FINISH TABLE

DASH #	
[blank]	SILVER PLATE PER QQ-S-365, TYPE III, GRADE A
-1	NONE
-2	EBANOL PER MIL-F-495 FOR BERYLLIUM COPPER PER MIL-C-13924 FOR STEEL
-3	CADMIUM PER QQ-P-416, TYPE 2, CLASS 2
-4	COPPER PLATE PER MIL-C-14550, CLASS 2
-5	GOLD PLATE PER MIL-G-45204, TYPE 1, GLASS 1
-6	NICKEL PLATE PER QQ-N-290, CLASS 1, GRADE G, BRIGHT
-7	ZINC PLATE CLEAR CHROMATE, PER ASTM-B-633, Fe/Zn 8
-8	ZINC PLATE YELLOW CHROMATE, PER ASTM-B-633, Fe/Zn 8
NOTE:	NO FINISH (-1) NOT AVAILBLE WITH "S" STEEL MATERIAL

