

HDMI Splitters with IR

PROHDMISPL12/IR

2-Way UHD/HDR 4K/2K Splitter



PROHDMISPL14/IR

4-Way UHD/HDR 4K/2K Splitter



Our HDMI UHD Splitters with HDCP 2.2 are an advanced solution for splitting a single HDMI input to two HDMI outputs, with the ability of **controlling the source connected from each display remotely via IR**. It provides high performance audio and video output through HDMI cables up to **4K2K@60Hz (YUV420)** resolution and is capable of receiving and transmitting up to **9Gbps of bandwidth** with no data loss. Supporting the latest features you can be assured of reliable and high quality HDMI distribution.

PROHDMISPIR KIT

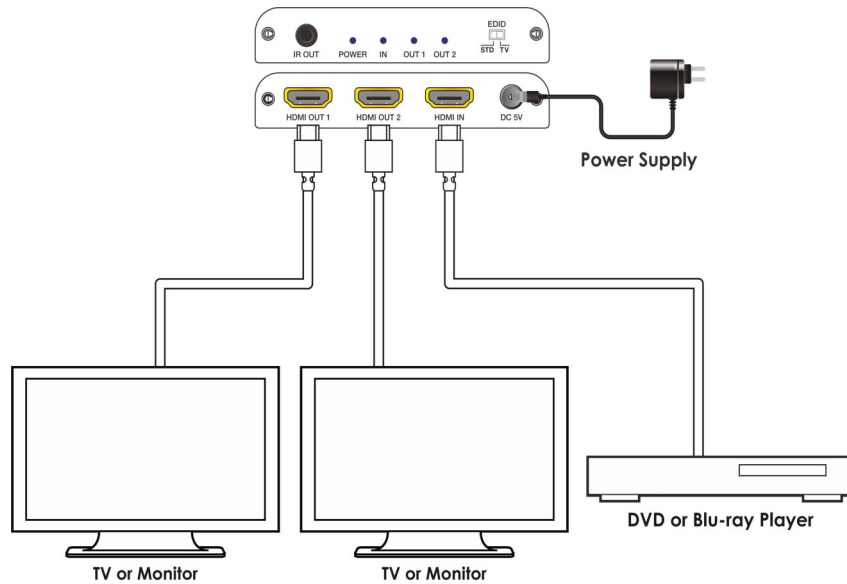
HDMI IR Sender / Receiver Kit



Features:

- Compliant with HDMI2.0, HDCP2.2 and DVI 1.0.
- UHD/HDR compatible.
- Support video format up to 4k2k@30Hz with 24bit RGB / YcbCR 4:4:4/YCBCR 4:2:2, and up to 4k2k@60Hz with 12bit YCBCR 4:2:0.
- Support 3D frame sequential video format up to 1080p@60.
- Support high resolution VESA mode video format up to QSXGA@60Hz.
- Support LPCM 7.1CH, Dolby True HD, and DTS-HD Master Audio.
- Support smart EDID control.
- Support Super IR system for controlling source from any display connected.

Join the PROfessional's PROcession to PROception!



Instructions:

1. Plug HDMI splitter in to mains using power supply supplied.
2. From device connect to HDMI IN on splitter using a HDMI cable.
3. From HDMI OUT on splitter connect to television using HDMI cable.
4. Repeat step 3 for the amount of TV's required.

PROHDMISP KIT - HDMI IR Kit:

- Control via remote up to 5 metres.
- Jack plug for direct connection into splitter.
- IR injector for remote TV supplied.

Output Resolution	480i ~1080p50/60, 4Kx2K@24/30, YCBCR 4:2:0
ESD Protection	Human Body model: <ul style="list-style-type: none"> • ±8 kV (air-gap discharge) • ±4 kV (contact discharge)
Power Supply	5V/1A DC (US/EU standards, CE/FCC/UL certified)
Chassis Material	Metal