



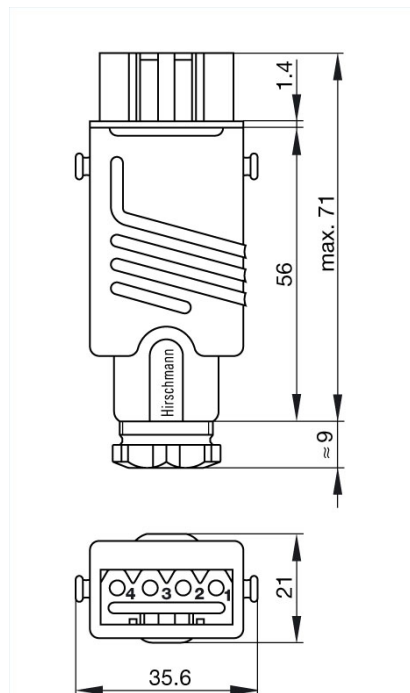
STAK 4 schwarz/black

Industrial Connectors:Rectangular connectors ST-series:Cable socket

Product description

| | |
|----------------------|---------------------------------|
| Description | Cable socket with strain relief |
| Type | Copy of STAK 4 grau/grey |
| Order No. | 932 533-100 |
| Type of contact | female |
| Number of contacts | 4 + PE |
| Cable gland | PG 11 |
| Cable diameter | 6 mm to 10 mm |
| Conductor size | max. 1.5 mm ² |
| Housing Color | black |
| Contact bearer color | black |

Drawing



Technical data

| | |
|---------------------|---------------------|
| Pin dimensions | 2 mm |
| Rated voltage | AC 400 V / DC 250 V |
| Rated current | DC 10 A / AC 10 A |
| Contact resistance | ≤ 10 mOhm |
| Type of termination | screw |

Material

| | |
|------------------|-------|
| Contact material | Cu Zn |
|------------------|-------|

| | |
|---------------------------------|------------------|
| Contact surface material | Sn |
| Contact bearer material | PA |
| Housing material | PA |
| Environmental conditions | |
| Protection class (IEC 60529) | IP 54 |
| Pollution severity | 3 |
| Temperature range | -30 °C to +90 °C |
| Inflammability class | |
| Housing | UL 94 HB |
| Contact bearer | UL 94 V-0 |
| Approvals | |
| VDE | VDE |
| SEV | SEV |
| Packing unit | |
| Packaging unit | 100 pieces |