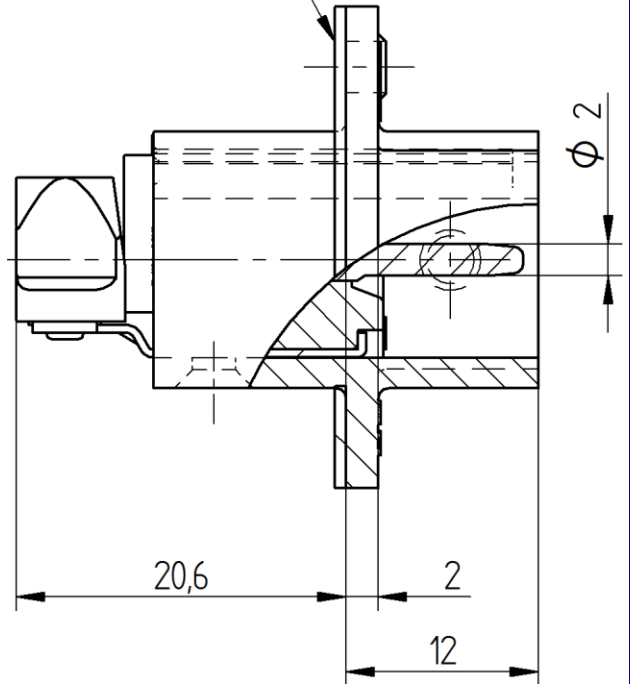
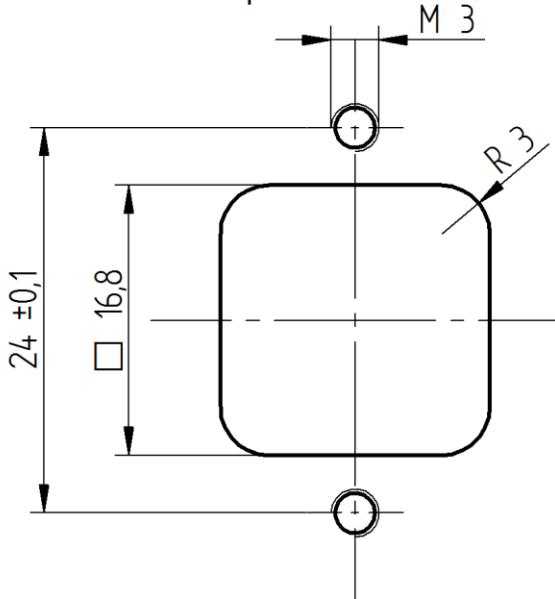


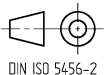
STAKEI 2-2, 730-697-002  
Flachdichtung, Flatgasket



Montageausschnitt  
panel cutout



The information/details in this datasheet merely contain general descriptions or performance factors which, when applied in an actual situation, do not always correspond with the described form, and may be amended by way of the further development of products. The desired performance factors shall only be binding if these are expressly agreed on conclusion of the contract.



**Product description**

Description	Panel connector with code rib
Type	STASEI 2
Order No	932-048-106
Type of contacts	male
Number of contacts	2+PE
Conductor size	max. 1,5 mm <sup>2</sup>
Standard	DIN EN 61984 (VDE 0627)
Color housing	grey

**Technical data**

Clearance / Creepage distance	DIN EN 60664-1 (2008/01); VDE 0110-1
Rated voltage	250 V AC/DC
Rated current *	16 A AC / 6 A DC
Rated impulse voltage	2,5 kV
Pollution degree	3 acc. to DIN EN 60664-1 (VDE 0110-1)
Contact resistance	≤ 10 mOhm
Type of connection	screw terminal
Mating cycles	max. 50
Mounting	screw: M 3

\* Notice derating

**Materials**

Contact	CuZn
Contact plating	Cu/Sn
Contact bearer	PA 66 GF, black
Housing	PA 6 GF, grey
Gasket(s)	NBR

**Environmental conditions**

Protection class (IEC 60529) *	IP54
Temperature range	-30°C to +90°C, notice Derating

\* only if mounted and locked in combination with Hirschmann / Lumberg connector.

**Flammability class**

Housing	UL 94 HB
Contact bearer	UL 94 V-0

**Approvals**

VDE	VDE-Reg.-Nr.: 1796
UL	E95522
SEV	ESTI: 12.0490

**Accessories**

Scope of delivery	Panel mounted plug with flat gaskets
Mating connectors / fitting to	Sockets of series STAK... 2
Accessories to order separately	STASI 2, 732-044-000, safety bracket

**Additional technical data**

Fastening torque (mounting screw)

M 3: (50-60) Ncm, flange

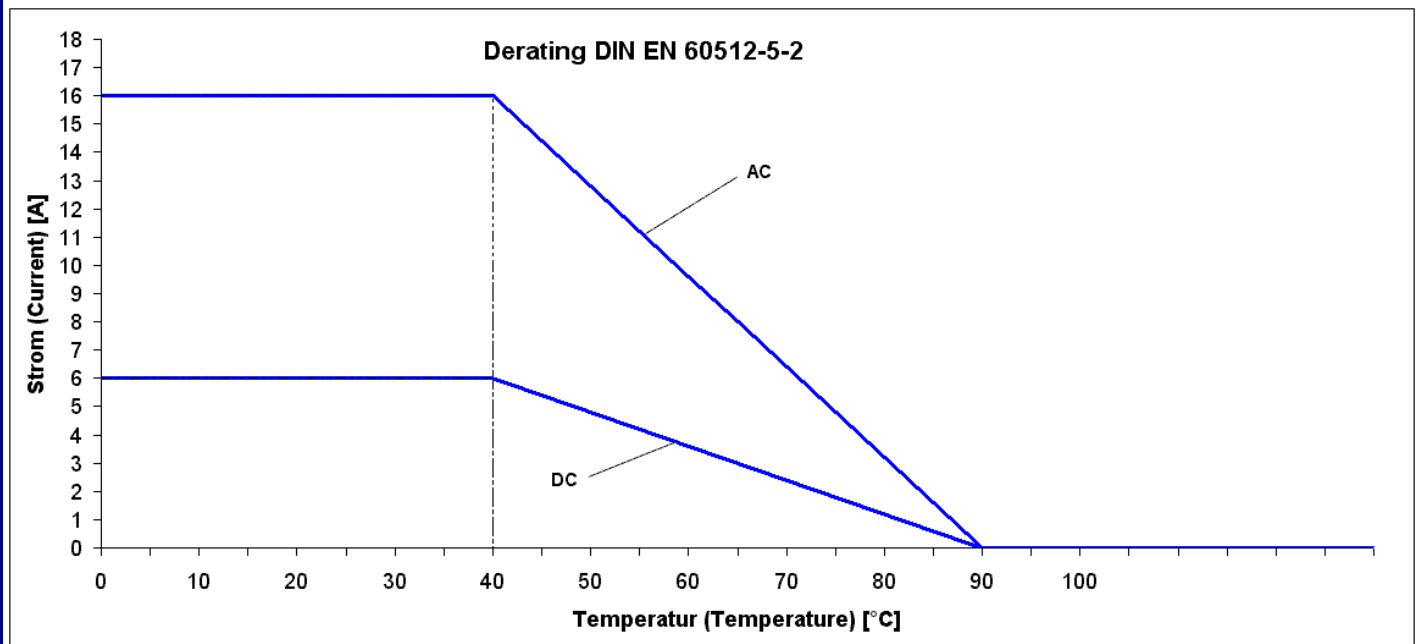
Fastening torque (contact screw)

M 2,5: (40-50) Ncm, housing

M 3: (40-50) Ncm

**Notes**

Do not connect or disconnect under load.



product overview

Article-No.	Type
932-048-106	STASEI 200