

SECO-LARM®

SM-204 (MINIATURE MOUNT)



49J5
BP3821

ALARM CIRCUIT: For closed circuit (CC) systems only.

CONTACT TYPE: SPST, gold under-plating with DEACTIVATED RHODIUM outer-plating (**SECO-LARM** contacts have a unique RHODIUM plating that have gone through a special oxygen treatment to DEACTIVATE the surface and thus eliminate absorption of organic impurities, polymer growth during operation, as well as the possibility of contact freezing).

SWITCH CYCLES: 50 million.

OPERATION GAP: 1 inch.

APPLICATIONS: Great for protecting sliding doors and windows where space is a problem. Miniature size assures ease of concealment.

Mount by using self-adhesive backing or screws-- whichever is necessary and more convenient. For mounting on steel doors, windows, etc., use of a spacer or stronger magnet may be necessary. Contact **SECO-LARM** or your local distributor for more information.

COLORS: White, mahogany brown, grey (specify).

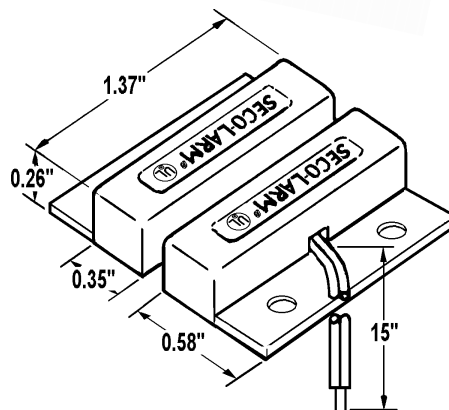
CASE CONSTRUCTION: Weatherproof, high-impact ABS plastic with self-adhesive backing.

MAGNET: Alnico 5.

LEADS: Pre-wired 15", #22.

RATING: 0.1Amp./100VDC (max.)
1Amp./10VDC (max.)
10W (max.)

TEMPERATURE: -15°F to 160°F (-25°C to 70°C).



PRODUCT INFO.

SM-204
(MINIATURE MOUNT)