

Series	Dimensions (mm)
HH-003	50 x 35 x 15
HH-004	50 x 35 x 20
HH-008	35 x 70 x 15
HH-009	35 x 70 x 23
HH-010	66 x 41 x 16
HH-012	54 x 84 x 32
HH-013	45 x 72.5 x 15
HH-014	45 x 72.5 x 23
HH-020	58 x 92 x 27
HH-026	100 x 68 x 22
HH-028	68 x 115 x 22
HH-030	61x 75 x 33
HH-035	143x 76 x 32
HH-040	175 x 115 x 44
HH-042	69.5x 50.5 x 21

Series	Dimensions (mm)
HH-044	88.5 x 63 x 27.5
HH-045	95 x 62 x 22
HH-046	115x 83 x 32
HH-047	116.5 x 104.5 x 32
HH-050	72 x 104 x 26
HH-055	76 x 112 x 26
HH-059	70 x 133.5 x 24
HH-060	75 x 110 x 36
HH-062	75 x 110 x 36
HH-066	100 x 50 x 18
HH-070	76 x 136 x 50
HH-095	105 x 201 x 41
HH-097	160 x 94 x 25
HH-8080	85 x 155 x 30
HH-8082	85 x 155 x 45
HH-8282	85 x 155 x 60



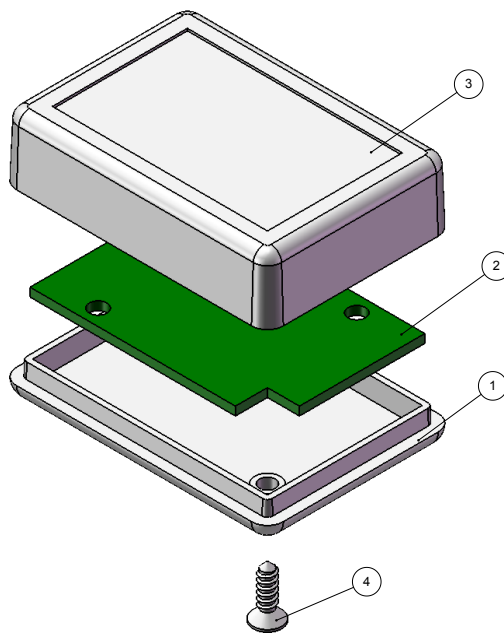
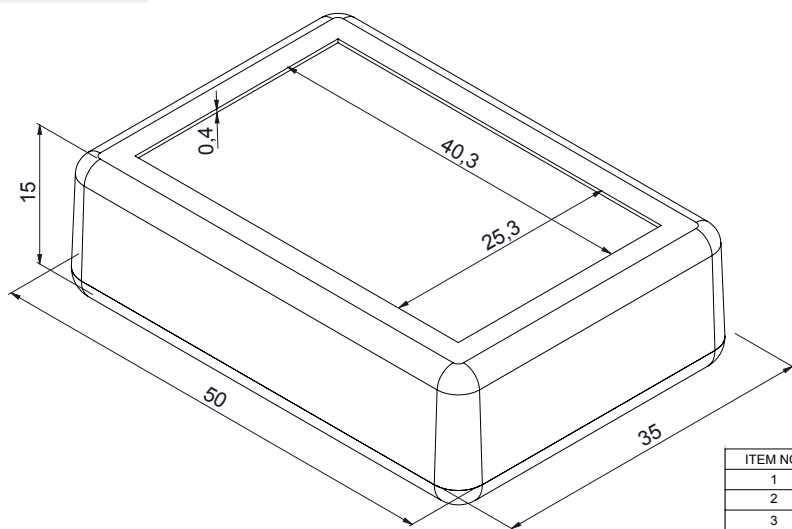


HH-003

### GENERAL INFORMATION

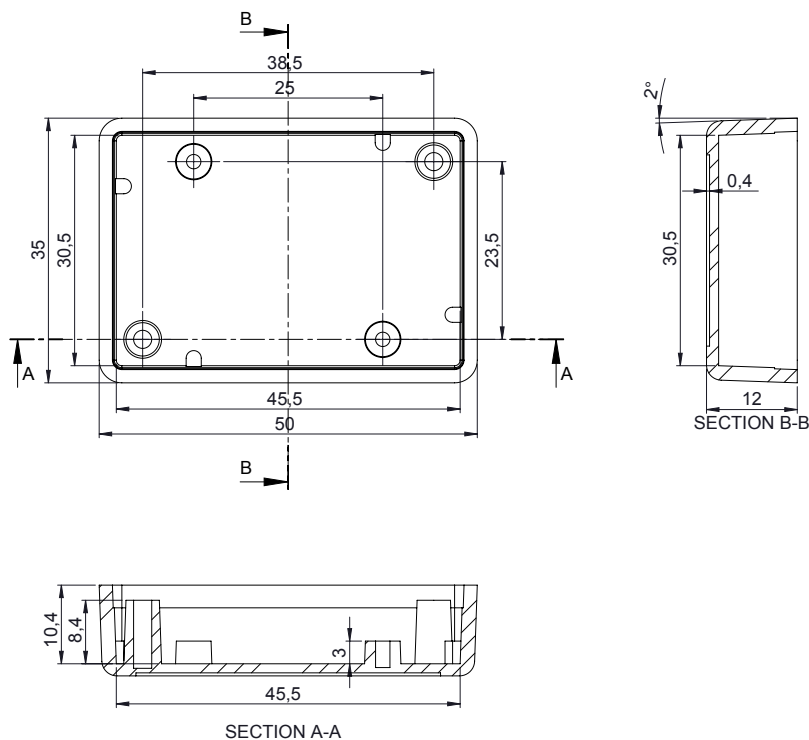
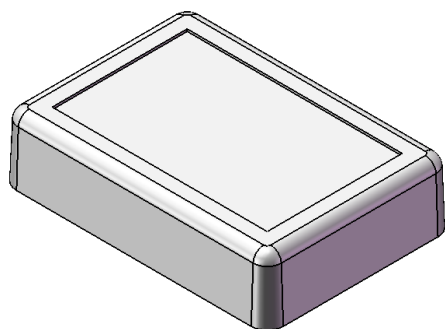
<b>HH-003</b>	
Dimensions (mm)	50 x 35 x 15
Material	ABS
Colours	Light Grey or Black

### DRAWING 1

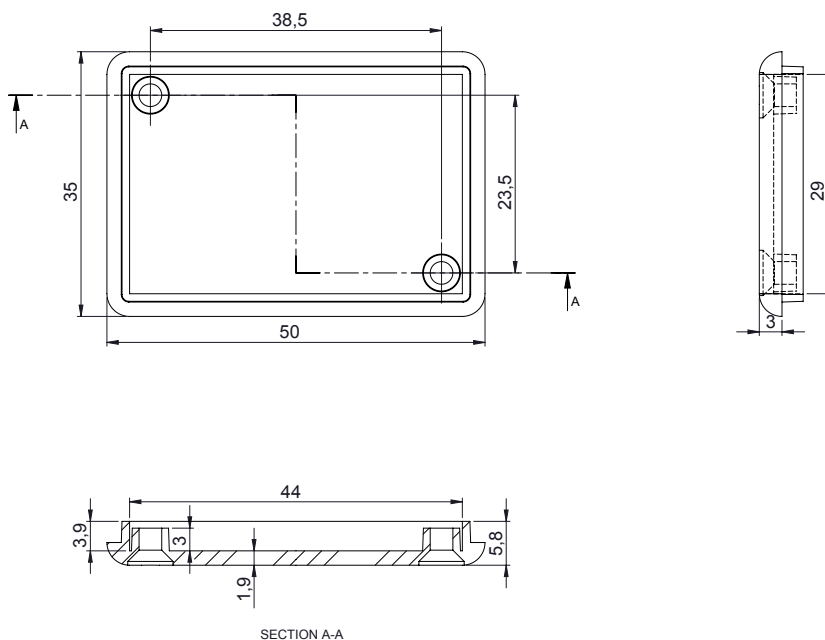
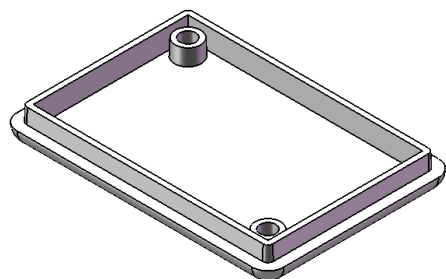


ITEM NO.	PART NUMBER	DESCRIPTION	QTY.
1	HH-003-P-1-11141	Base	1
2	PCB Sample	Not Included	1
3	DM-003-P-2-11137	Cover	1
4	A-635-0-0-M-0-11100	2,9 x 9,5 mm YHB SC Metallic Screw	2

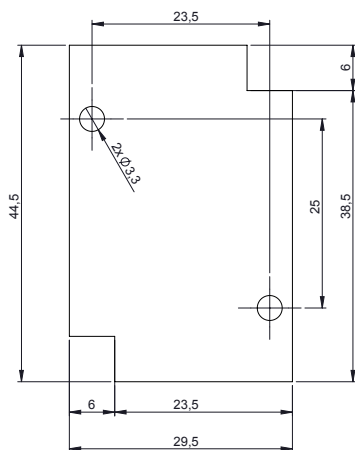
### DRAWING 2 - COVER



### DRAWING 3 - BASE



### DRAWING 4 - PCB DIMENSIONS



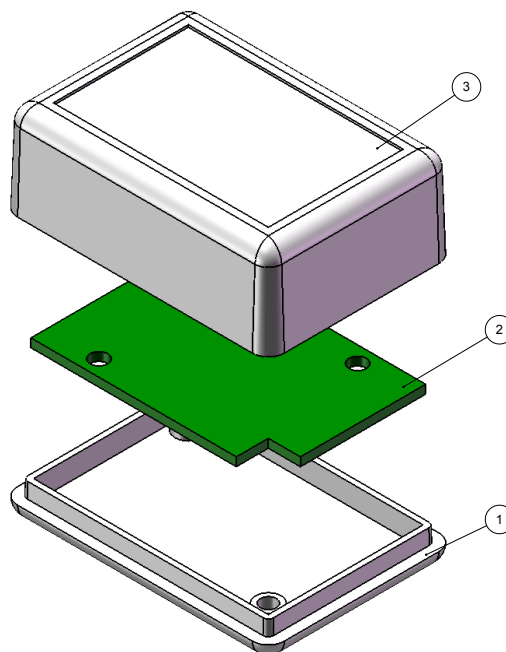
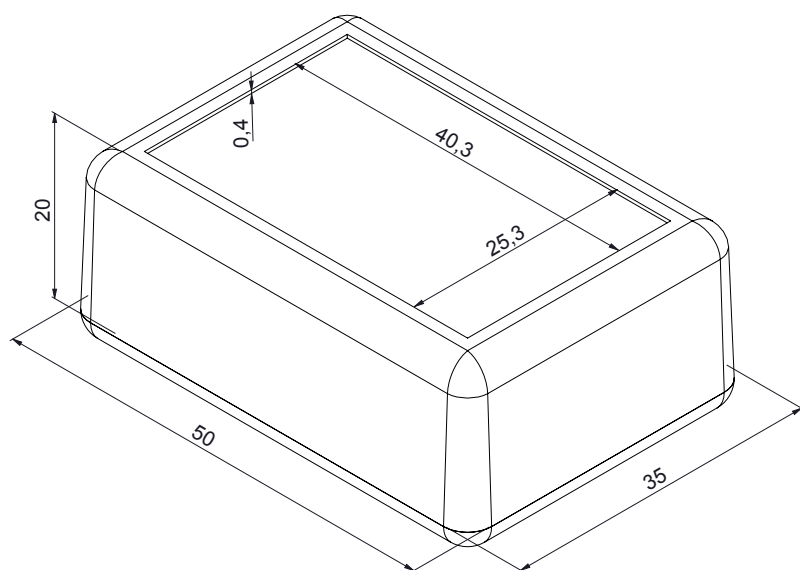


HH-004

### GENERAL INFORMATION

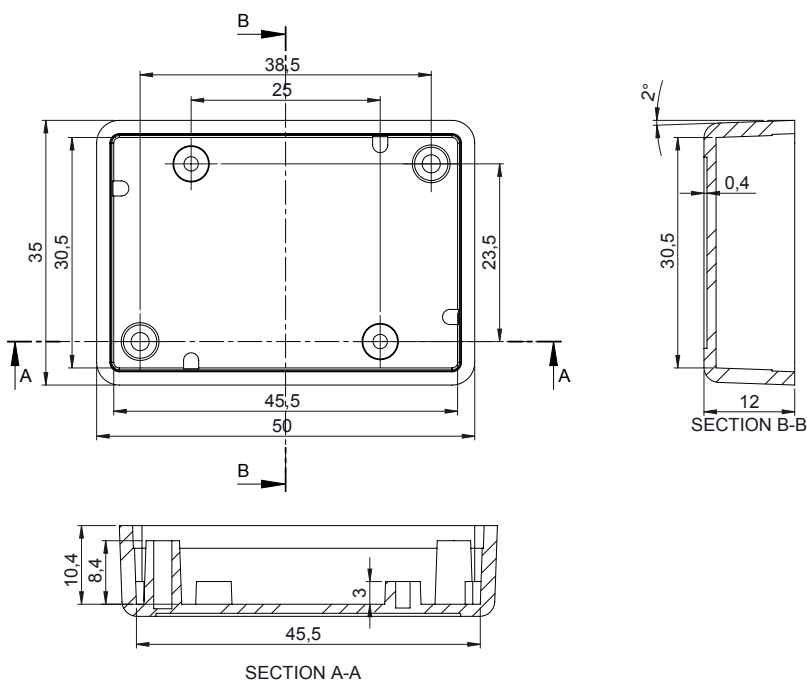
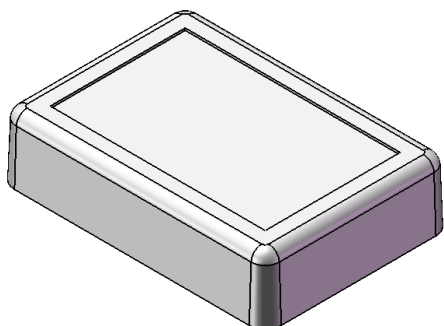
<b>HH-004</b>	
Dimensions (mm)	50 x 35 x 20
Material	ABS
Colours	Light Grey or Black

### DRAWING 1

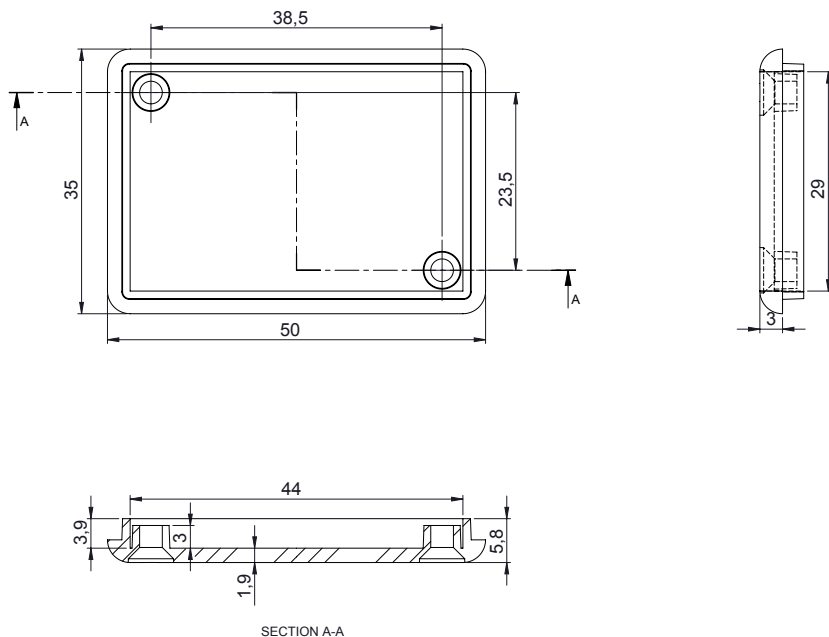
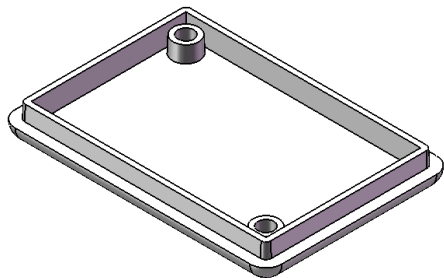


ITEM NO.	PART NUMBER	DESCRIPTION	QTY.
1	HH-003-P-1-11141	Base	1
2	PCB Sample	Not Included	1
3	DM-004-P-1-11138	Cover	1
4	A-635-0-0-M-0-11100	2,9 x 9,5 mm YHB SC Metallic Screw	2

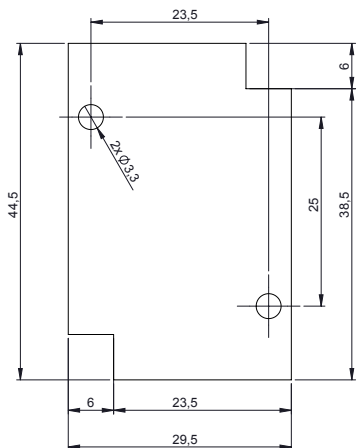
### DRAWING 2 - COVER



### DRAWING 3 - BASE



### DRAWING 4 - PCB DIMENSIONS



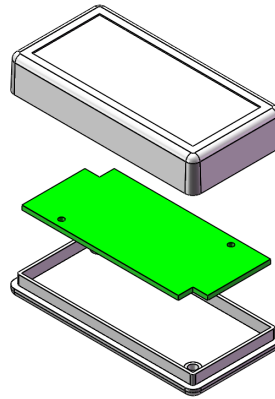
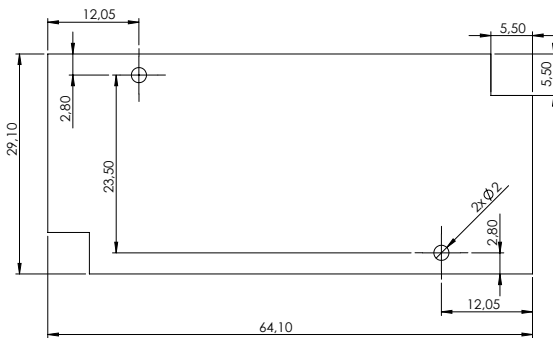


HH-008

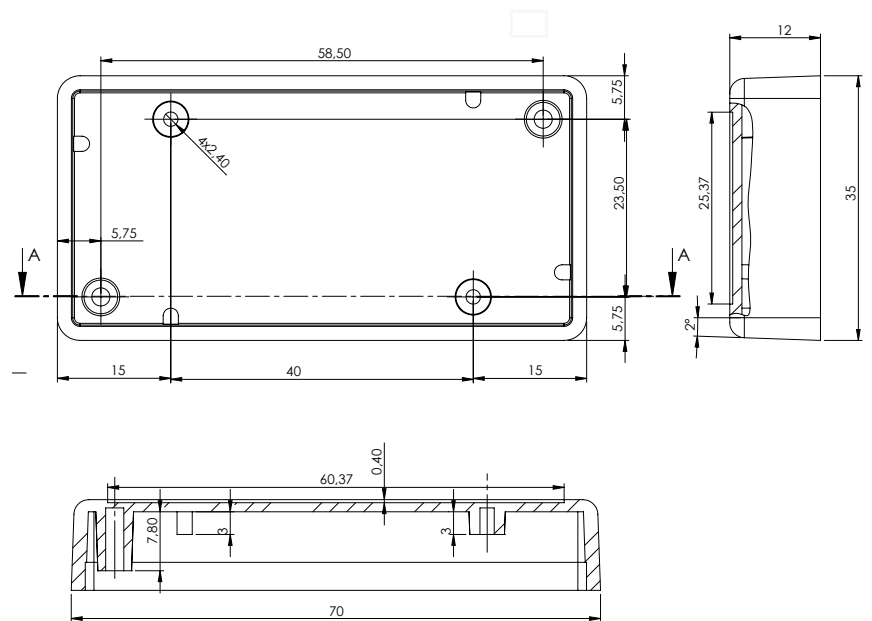
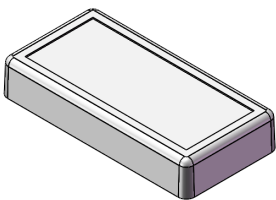
### GENERAL INFORMATION

<b>HH-008</b>	
Dimensions (mm)	35 x 70 x 15
Material	ABS
Colours	Light Grey or Black

### DRAWING 1



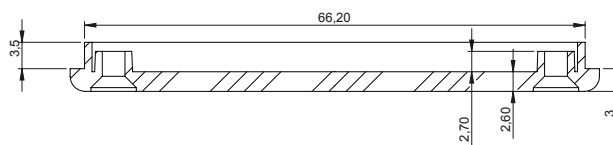
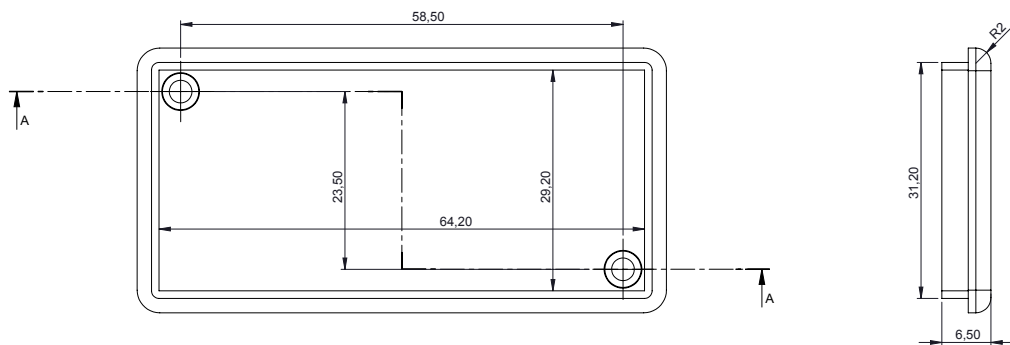
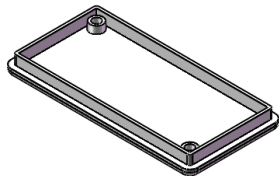
### DRAWING 2 - COVER



SECTION A-A  
SCALE 2 : 1



### DRAWING 3 - BASE



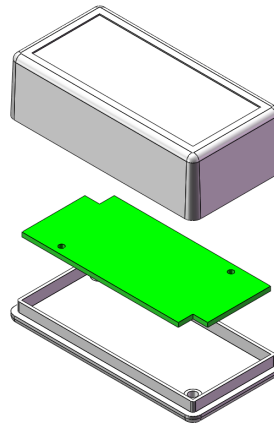
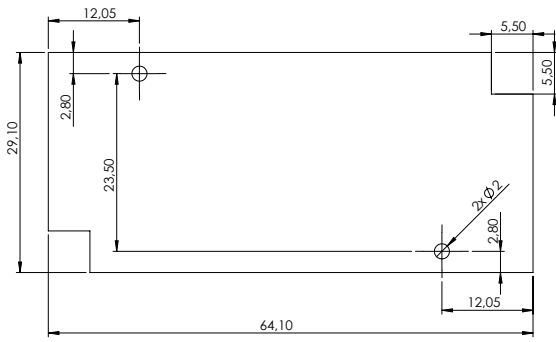


HH-009

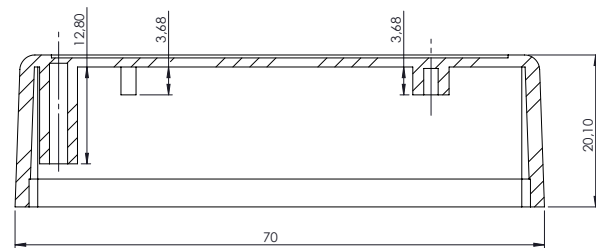
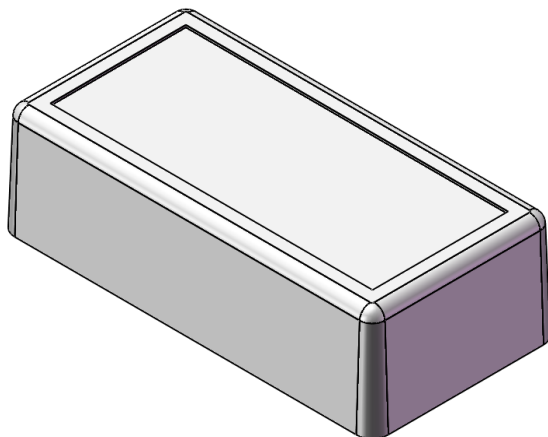
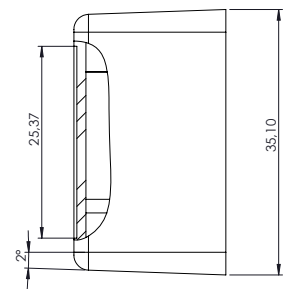
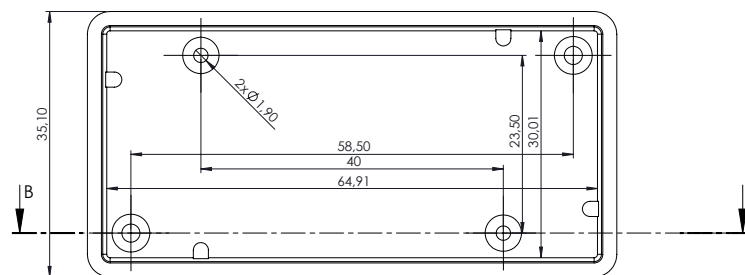
### GENERAL INFORMATION

<b>HH-009</b>	
Dimensions (mm)	35 x 70 x 23
Material	ABS
Colours	Light Grey or Black

### DRAWING 1



### DRAWING 2 - COVER

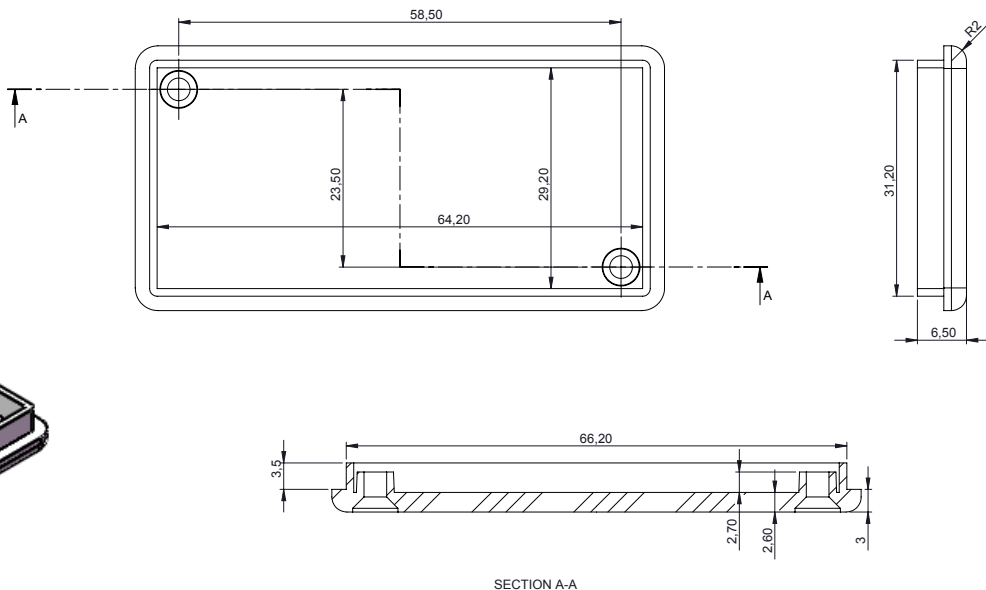
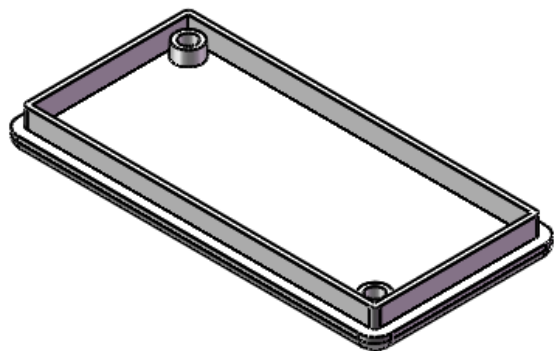


SECTION B-B





### DRAWING 3 - BASE

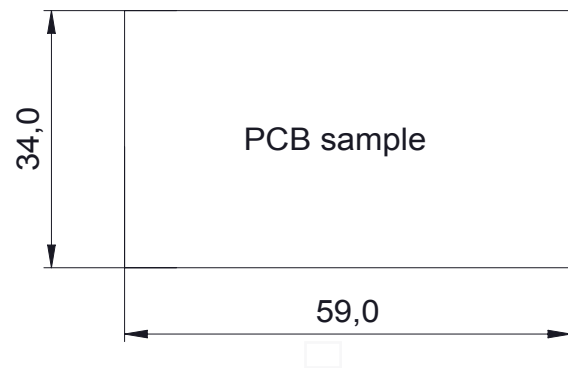
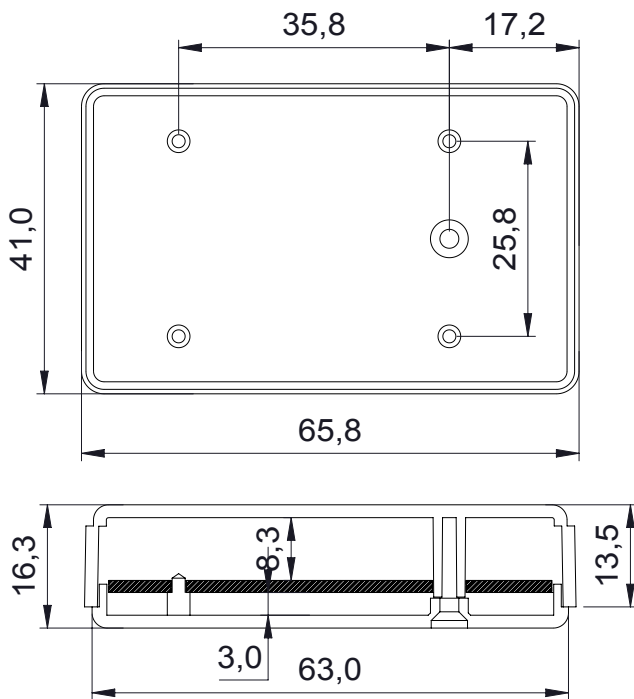


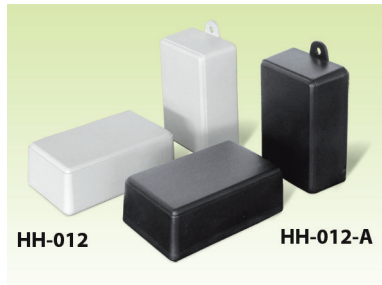


HH-010

<b>HH-010</b>	
Dimensions (mm)	66 x 41 x 16
Material	ABS
Colours	Light Grey or Black

### DRAWING 1





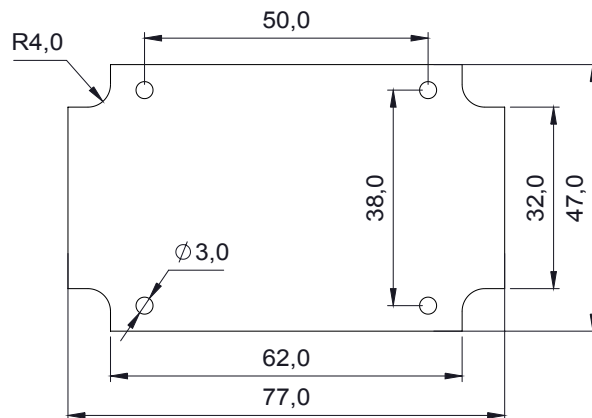
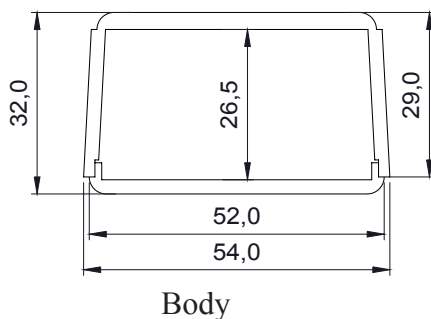
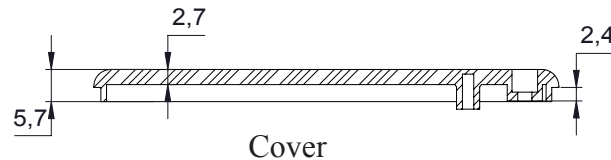
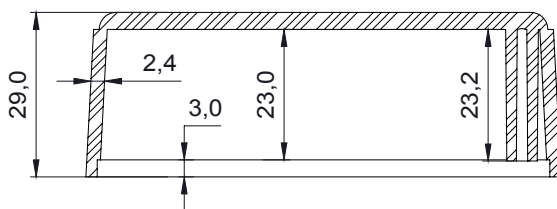
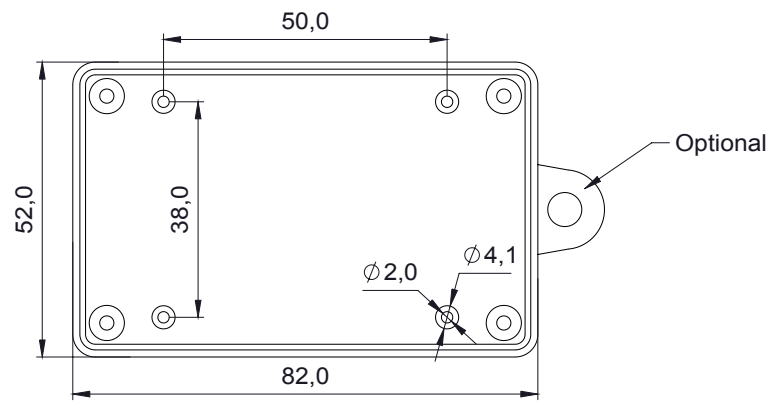
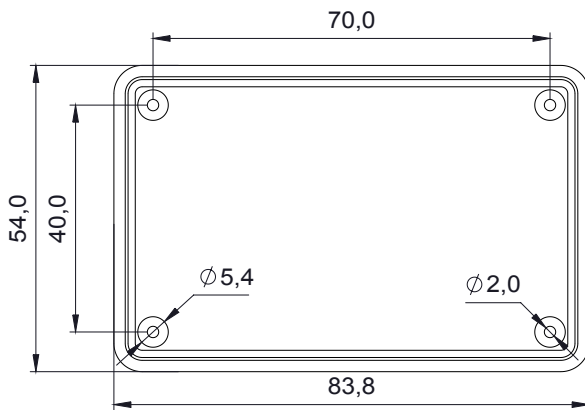
HH-012

HH-012-A

HH-012

<b>HH-012</b>	
Dimensions (mm)	54 x 84 x 32
Material	ABS
Colours	Light Grey or Black

### DRAWING 1



PCB sample

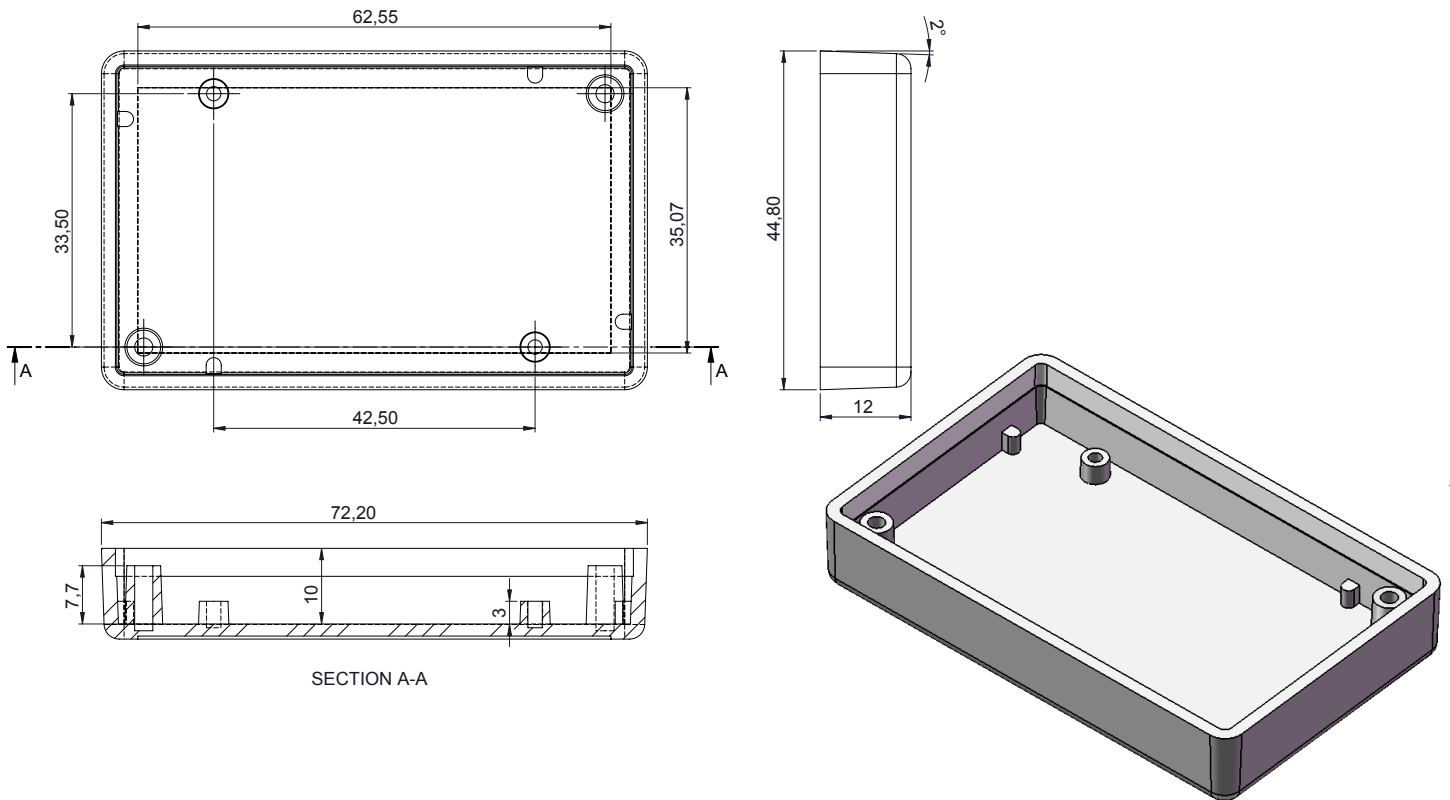




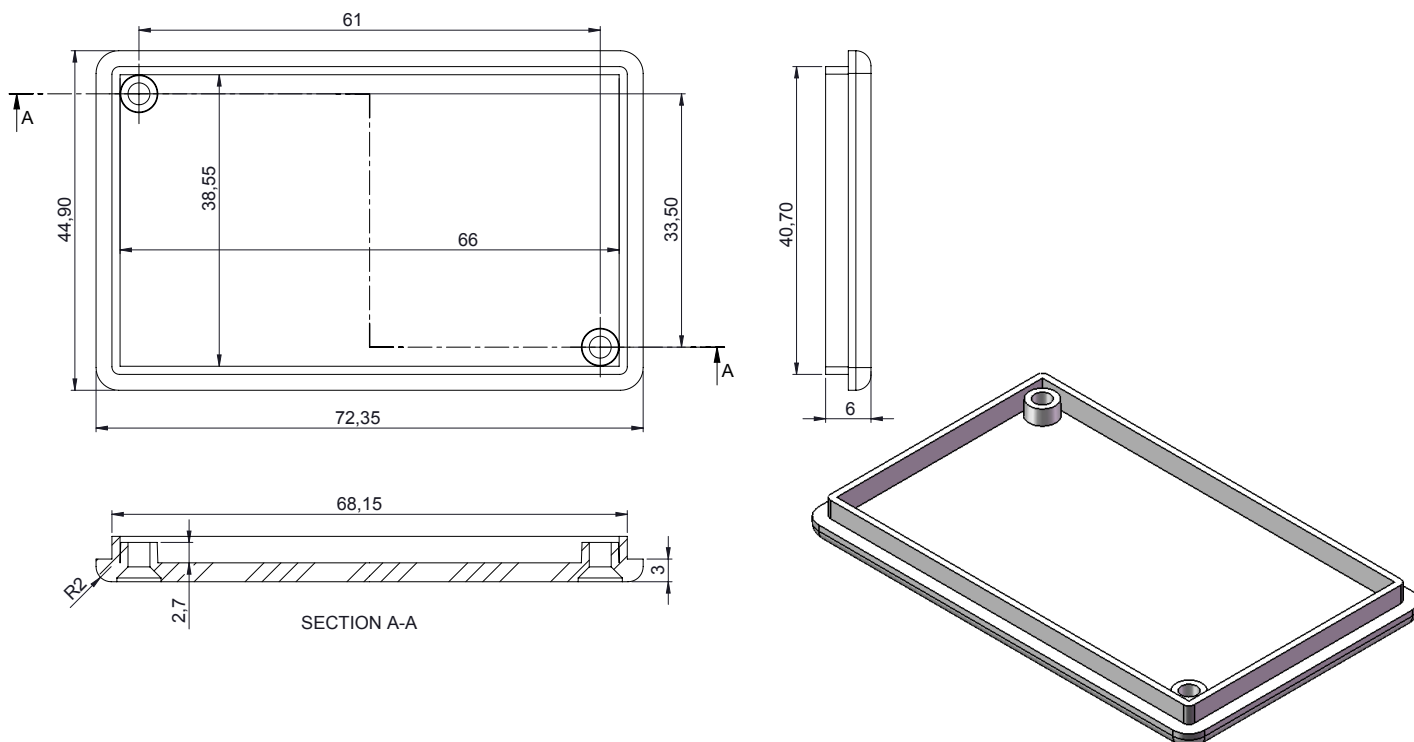
<b>HH-013</b>	
Dimensions (mm)	45 x 72.5 x 15
Material	ABS
Colours	Light Grey or Black

HH-013

### DRAWING 1 - BODY



### DRAWING 2 - BASE

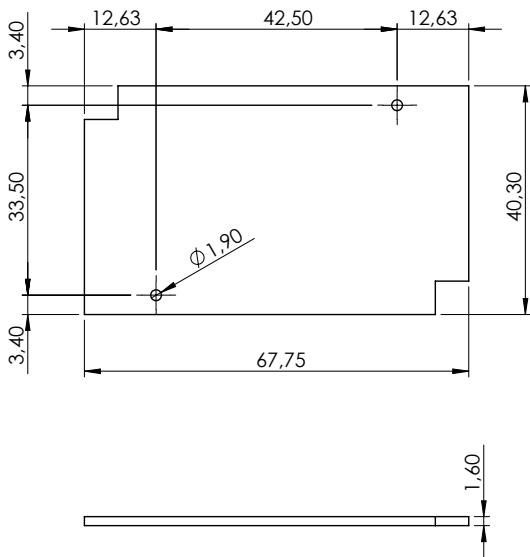




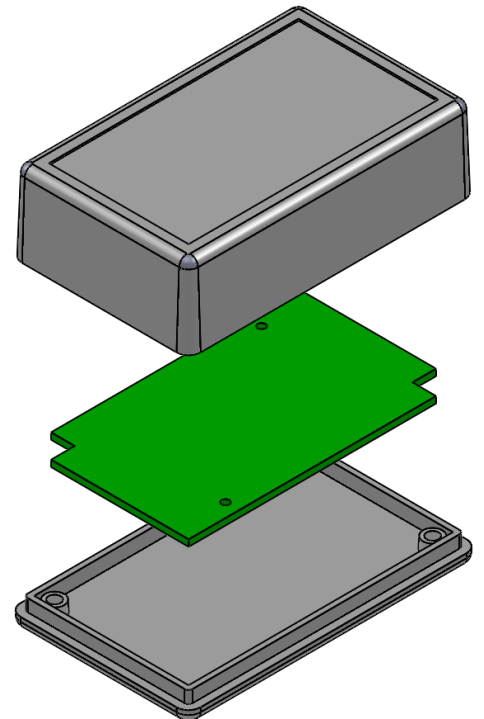
HH-014

<b>HH-014</b>	
Dimensions (mm)	45 x 72.5 x 23
Material	ABS
Colours	Light Grey or Black

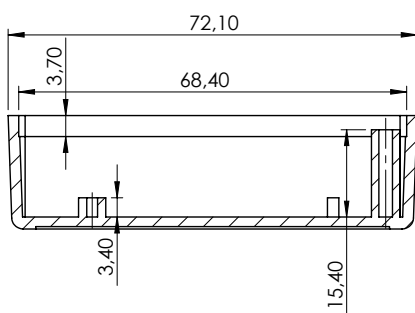
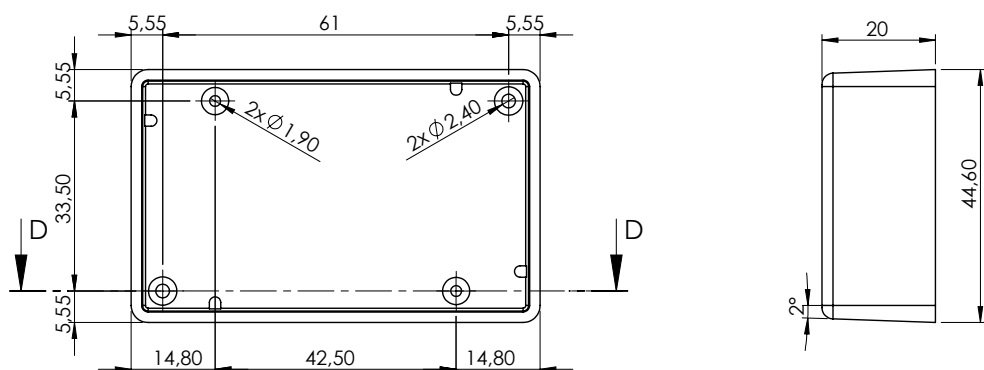
### DRAWING 1 - ASSEMBLY



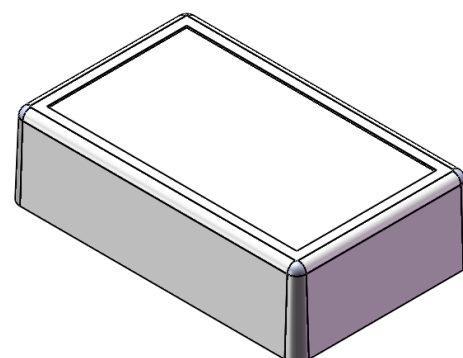
PCB Card



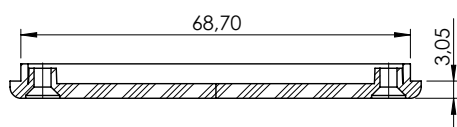
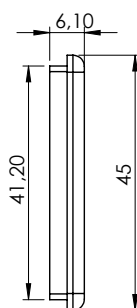
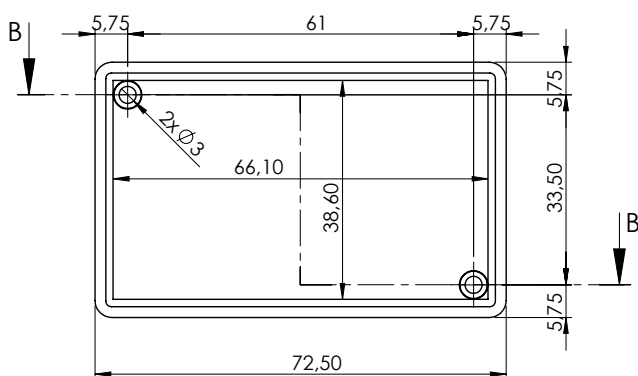
### DRAWING 2 - COVER



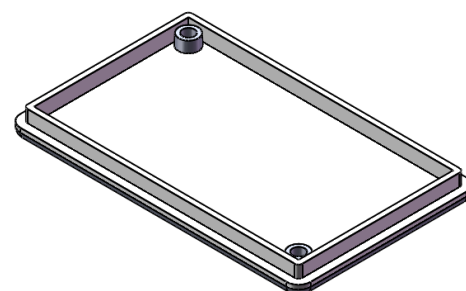
SECTION D-D



### DRAWING 3 - BASE



SECTION B-B

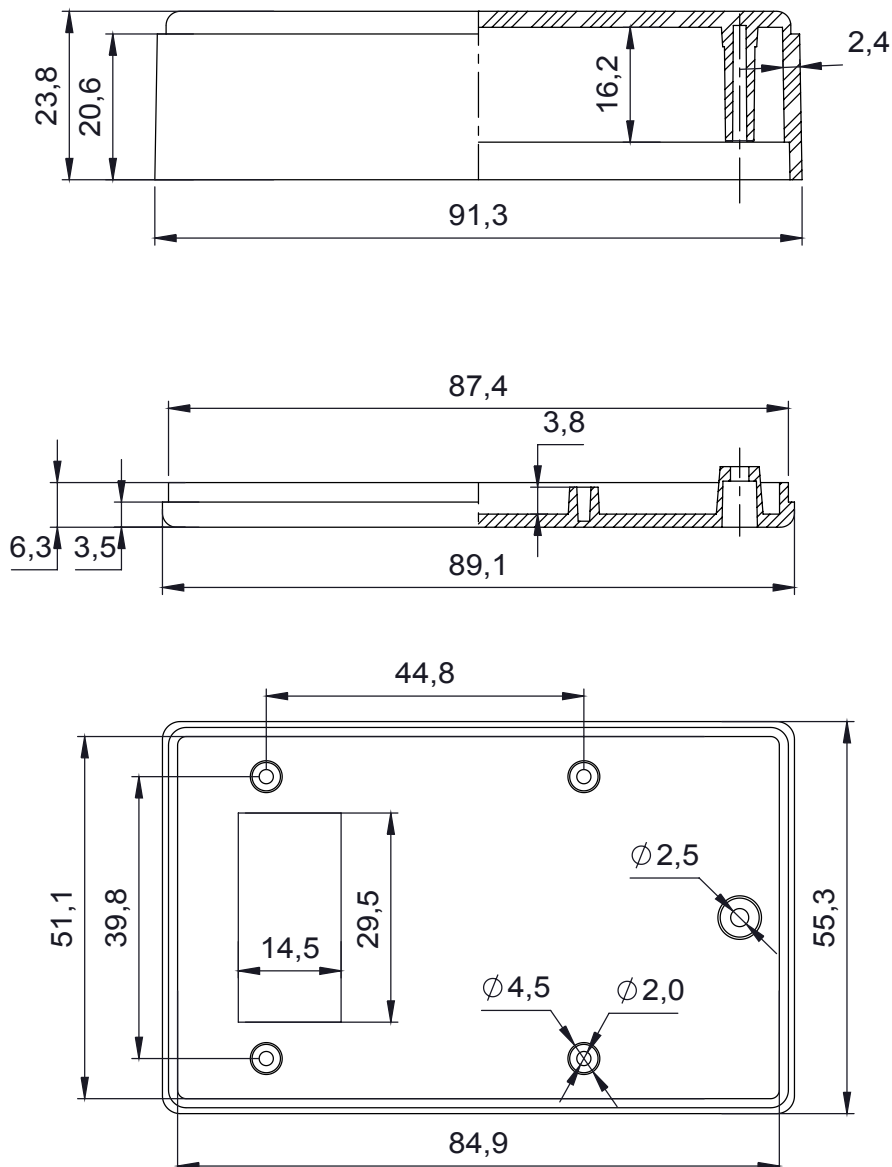




HH-020

<b>HH-020</b>	
Dimensions (mm)	58 x 92 x 27
Material	ABS
Colours	Light Grey or Black

### DRAWING 1



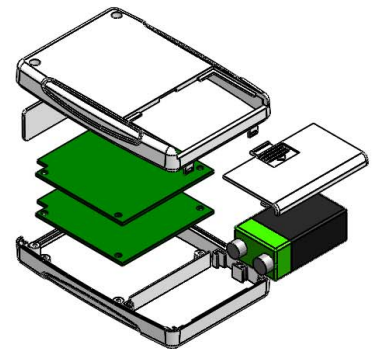
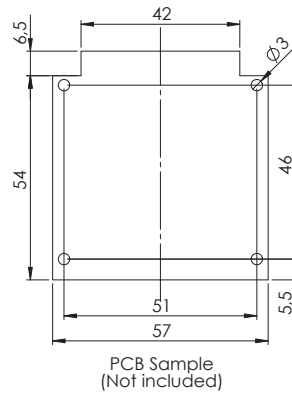
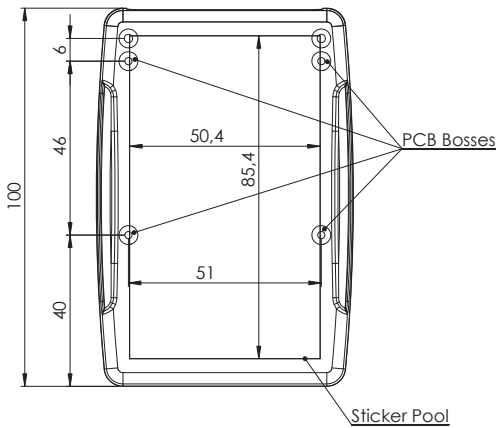
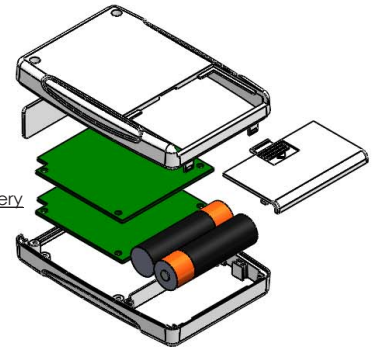
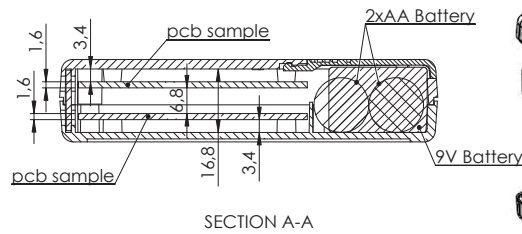
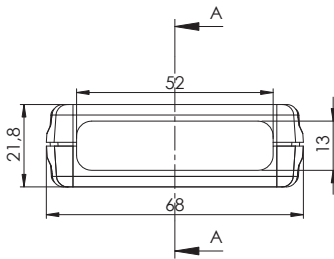




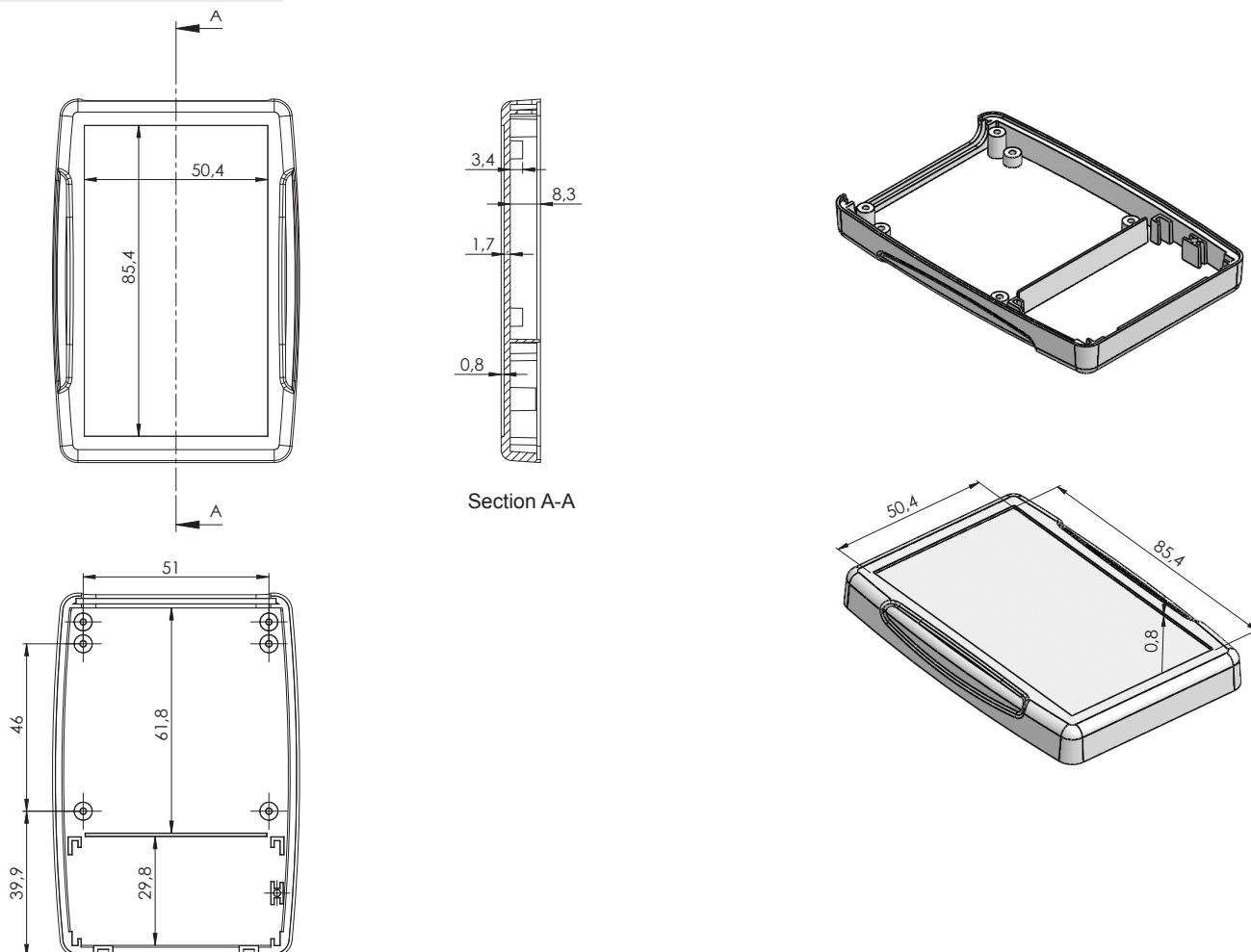
HH-026

<b>HH-026</b>	
Dimensions (mm)	100 x 68 x 22
Material	ABS
Colours	Light Grey or Black

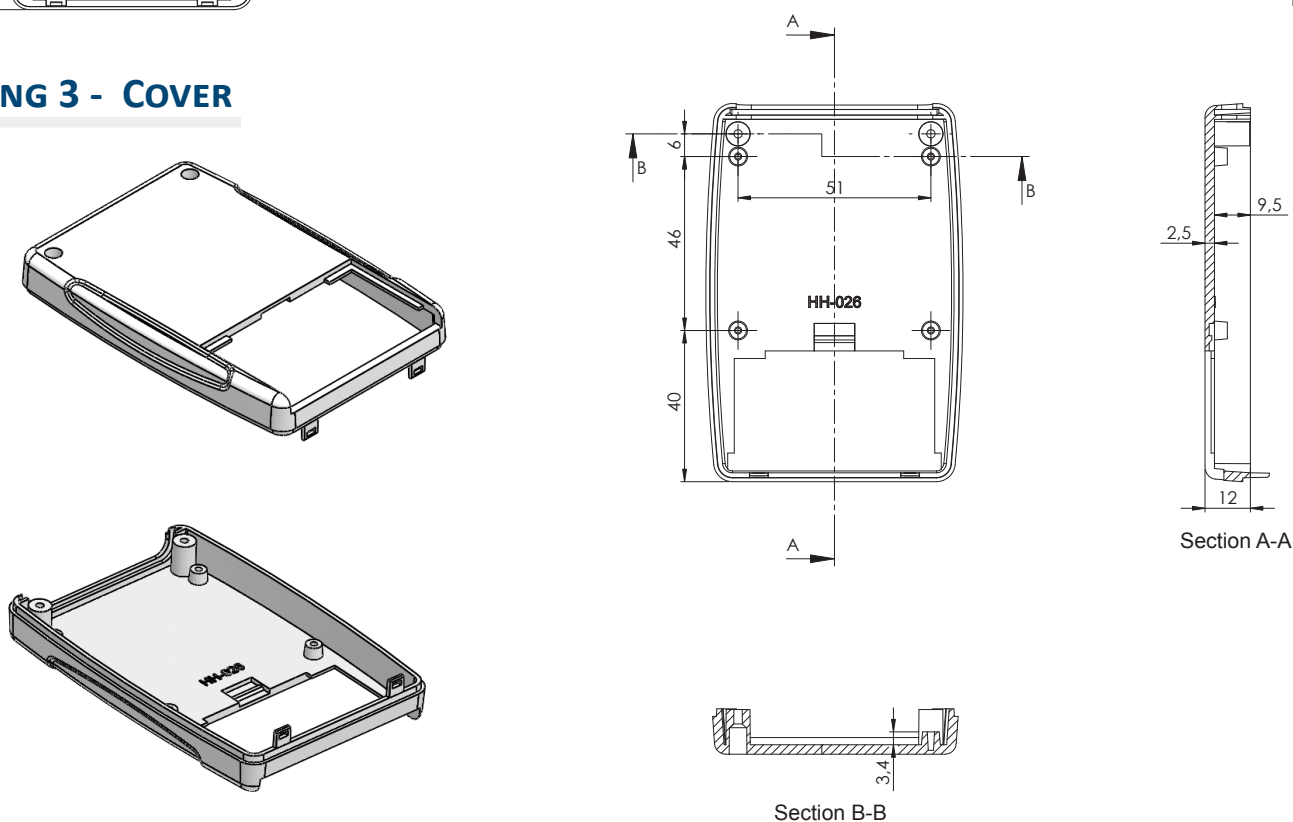
### DRAWING 1



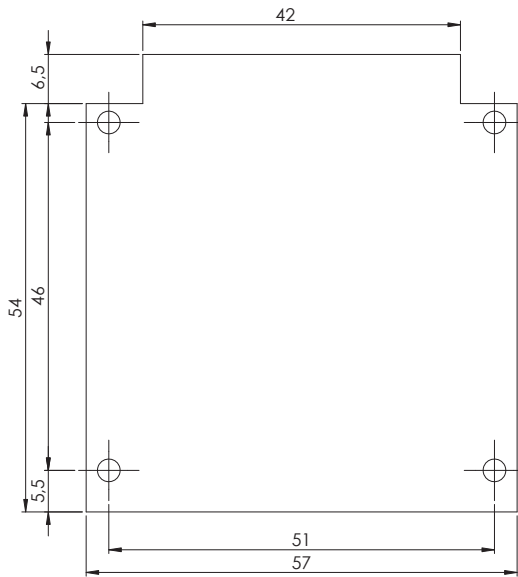
### DRAWING 2 - COVER



### DRAWING 3 - COVER

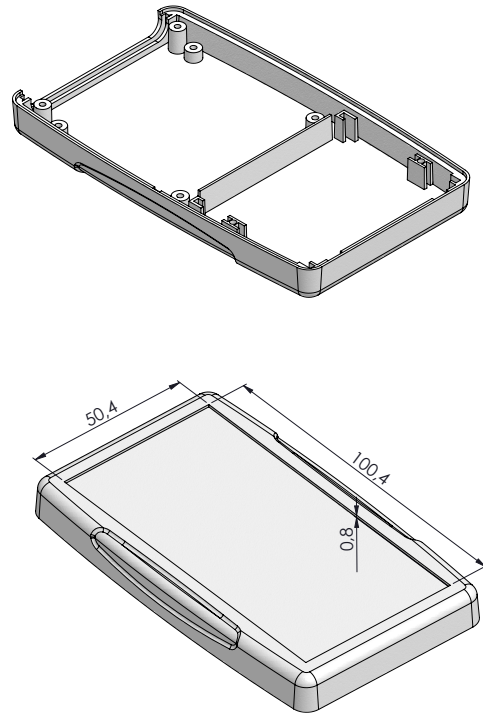
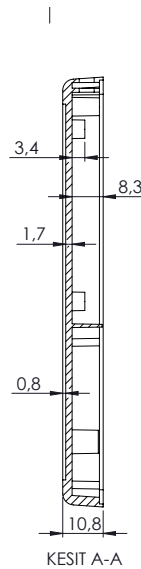
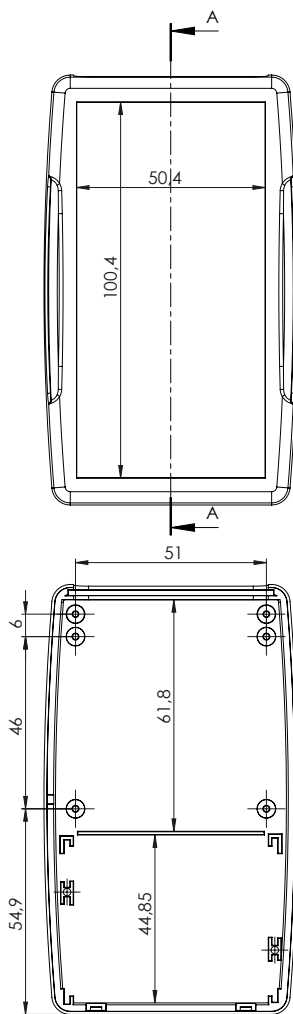
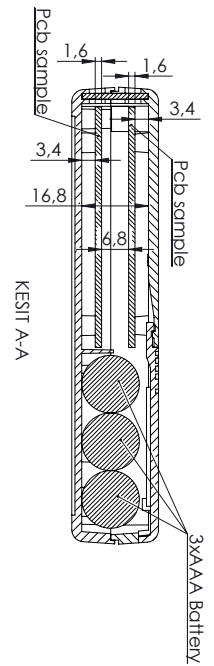
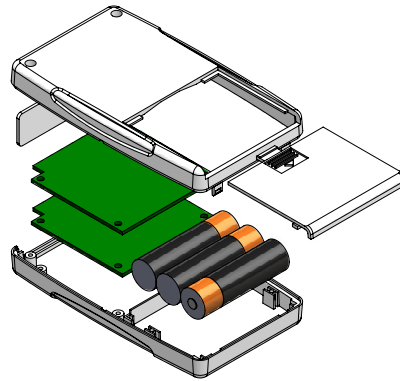


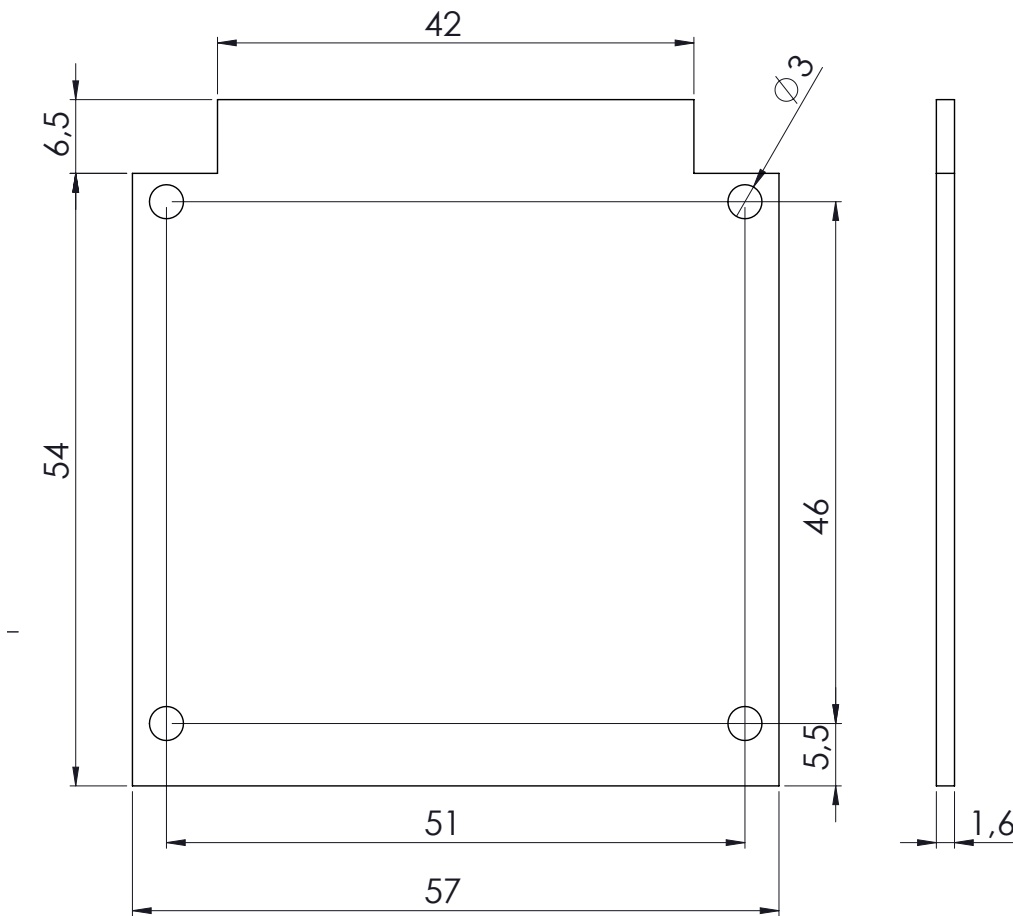
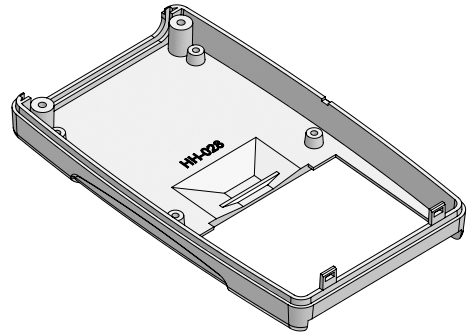
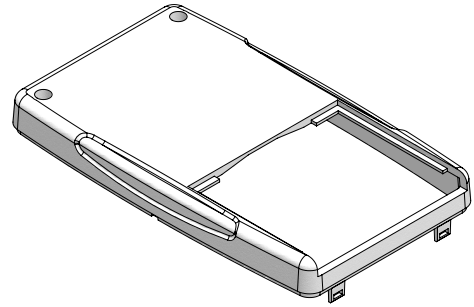
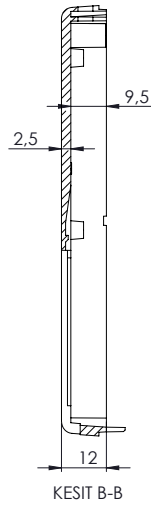
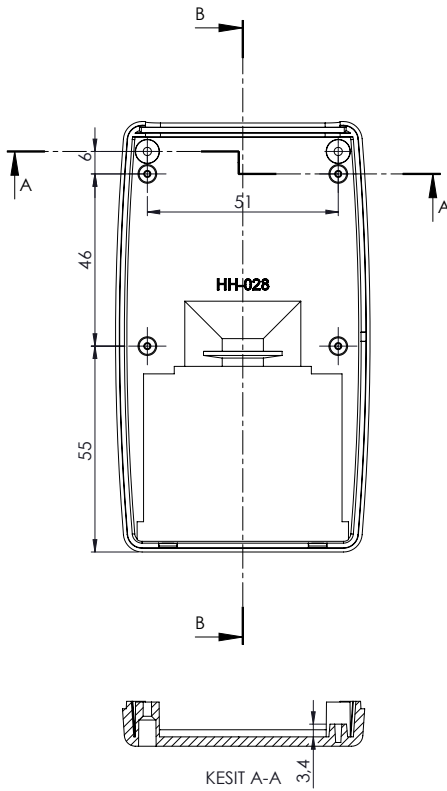
### DRAWING 4 - PCB DIMENSIONS





<b>HH-028</b>	
Dimensions (mm)	68x115x22 mm
Colours	Light Grey or Black



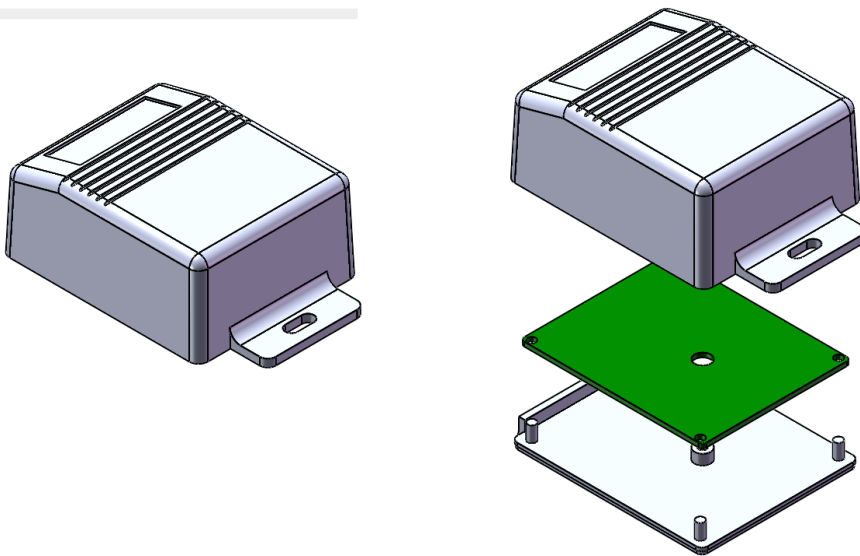




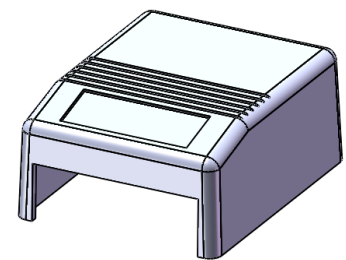
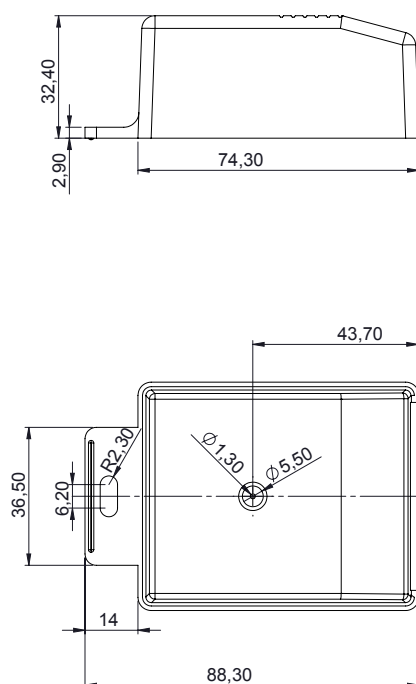
HH-030

<b>HH-030</b>	
Dimensions (mm)	61x 75 x 33
Material	ABS
Colours	Light Grey or Black

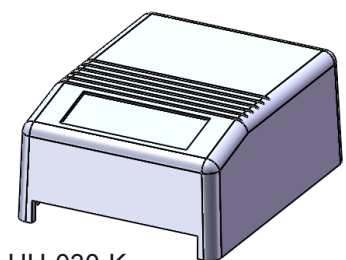
### DRAWING 1 - ASSEMBLY



### DRAWING 2 - COVER



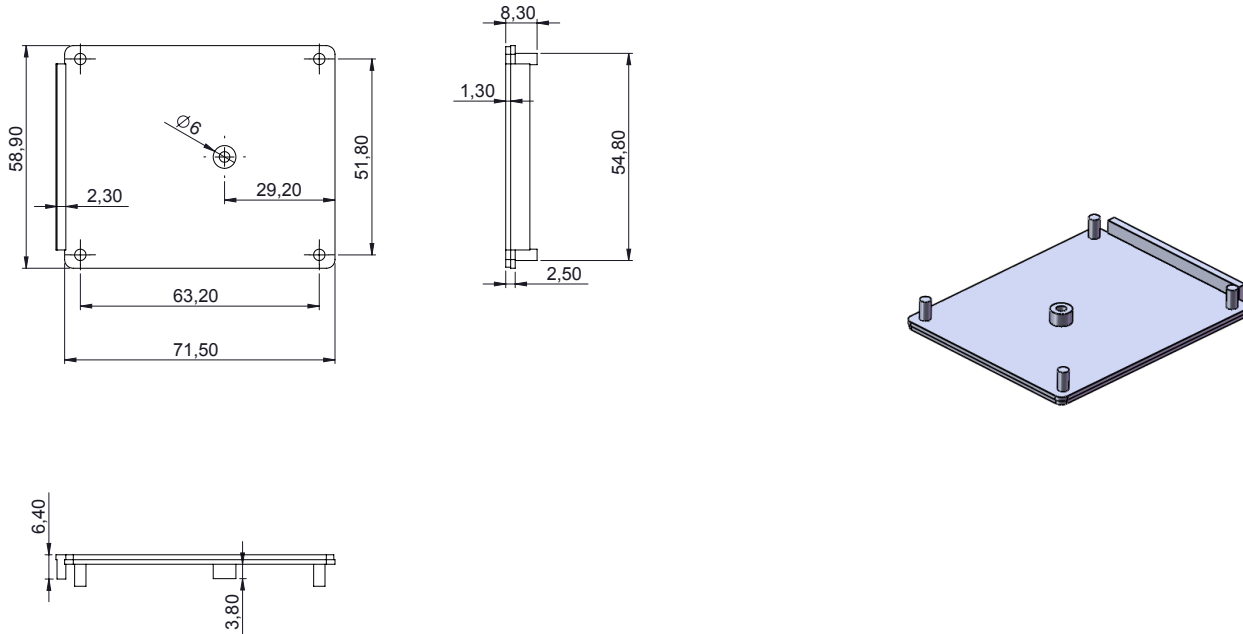
HH-030-A



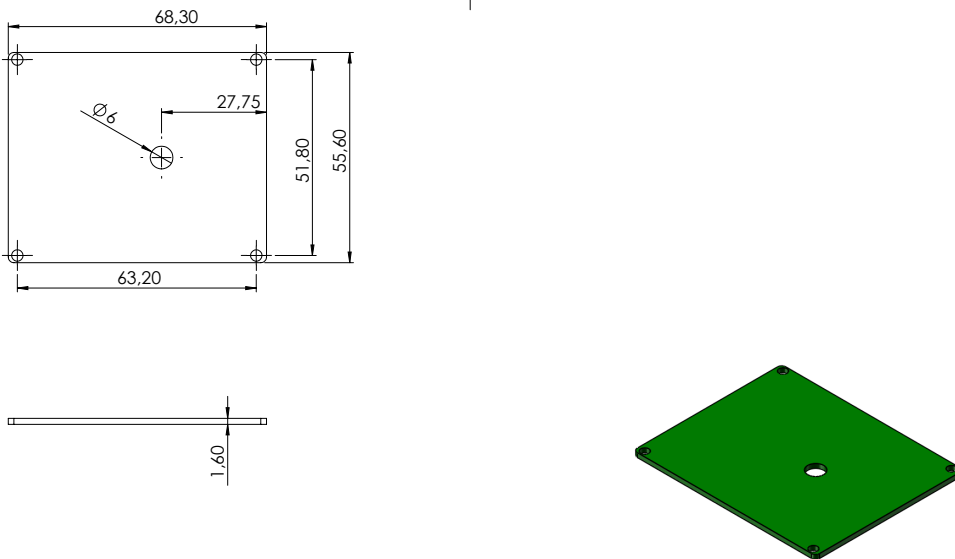
HH-030-K



### DRAWING 3 - BASE



### DRAWING 4 - PCB DIMENSIONS

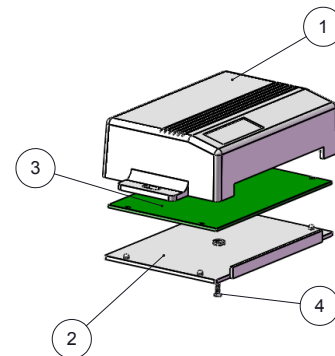
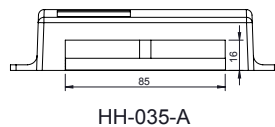
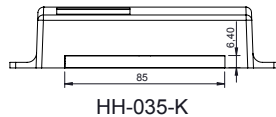
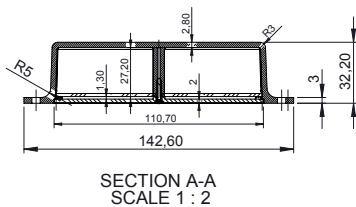
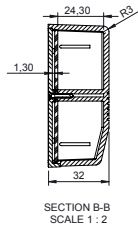
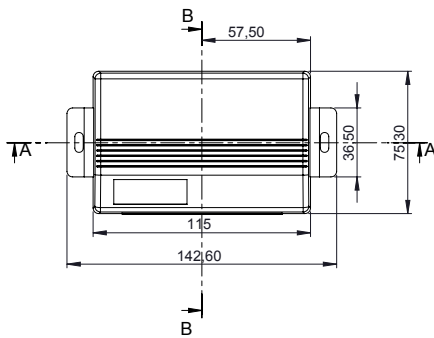




HH-035

<b>HH-035</b>	
Dimensions (mm)	143x 76 x 32
Material	ABS
Colours	Light Grey or Black

### DRAWING 1 - ASSEMBLY

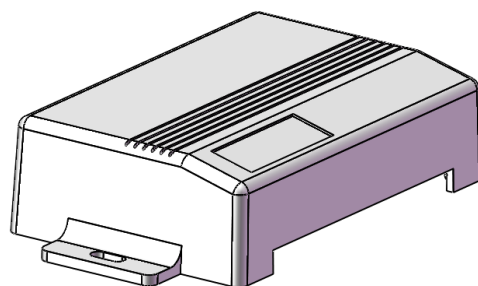
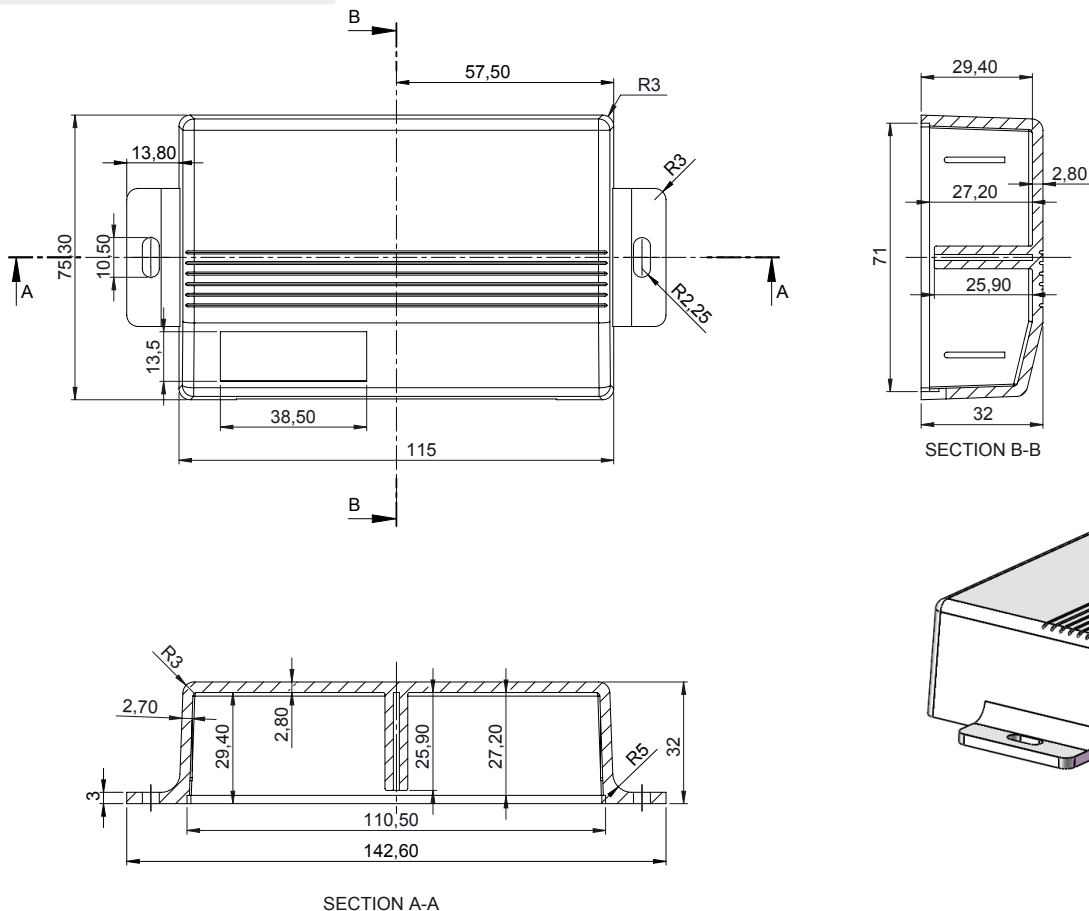


PART NUMBER	DESCRIPTION	QTY.
HH-035-P-1	HH 035 Body	1
HH-035-P-2	HH 035 Cover	1
HH-035 PCB sample	Not Included	1
A-62-0-0-S-0-10005	2,2 x 13 mm YHB SC Black Screw 2,2 x 13 mm YHB SC Black Screw 2,2 x 13 mm YHB SC Black Screw 2,2 x 13 mm YHB SC Black Screw	1

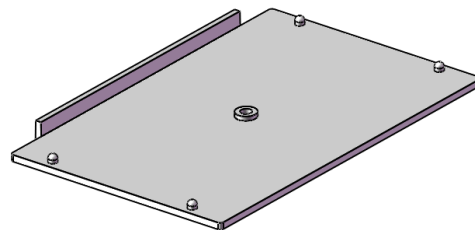
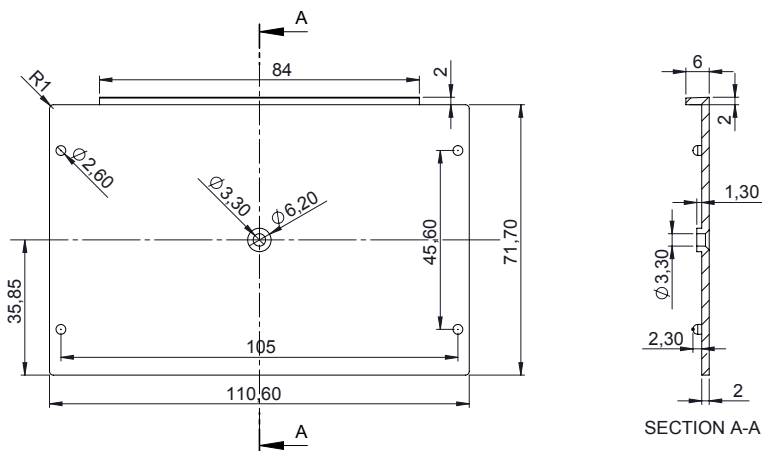




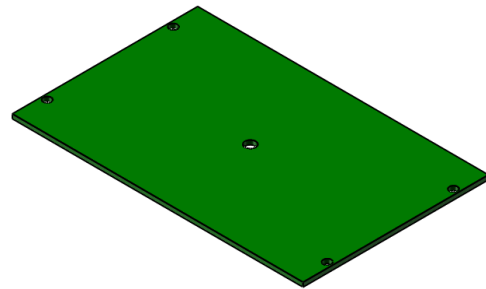
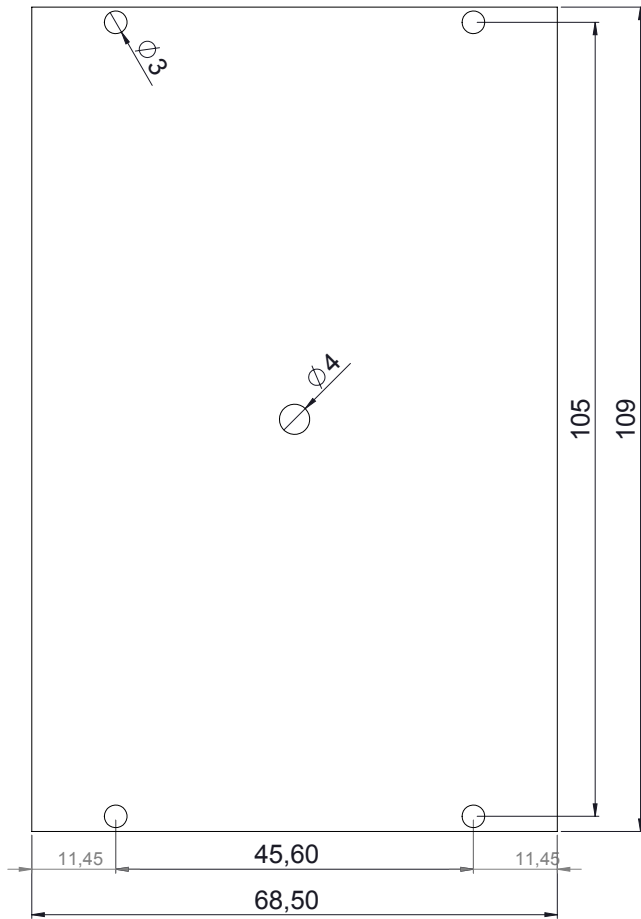
### DRAWING 2 - COVER



### DRAWING 3 - BASE



### DRAWING 4 - PCB DIMENSIONS

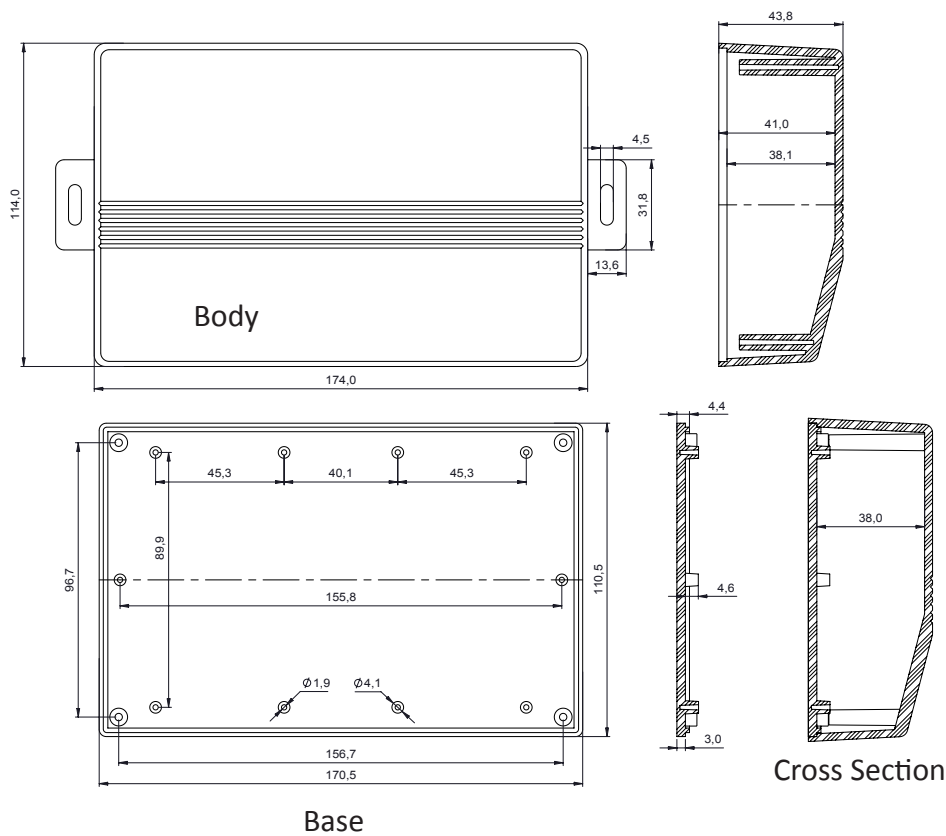




HH-040

<b>HH-040</b>	
Dimensions (mm)	175 x 115 x 44
Material	ABS
Colours	Light Grey or Black

### DRAWING 1

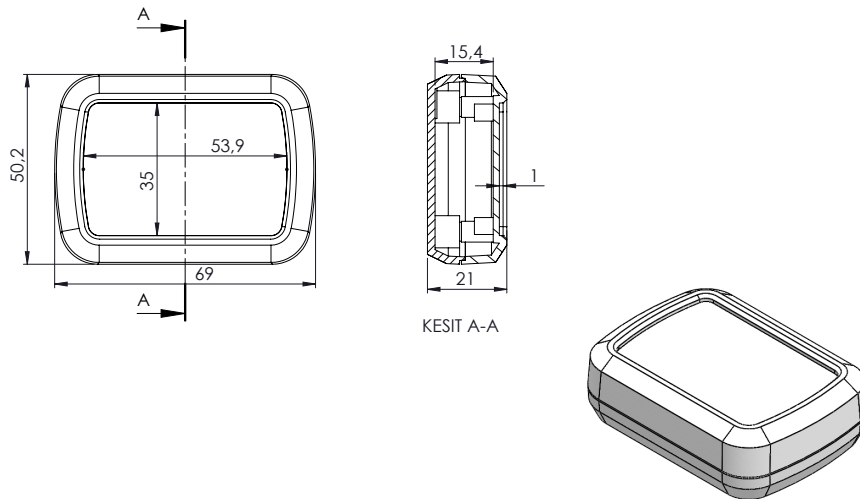




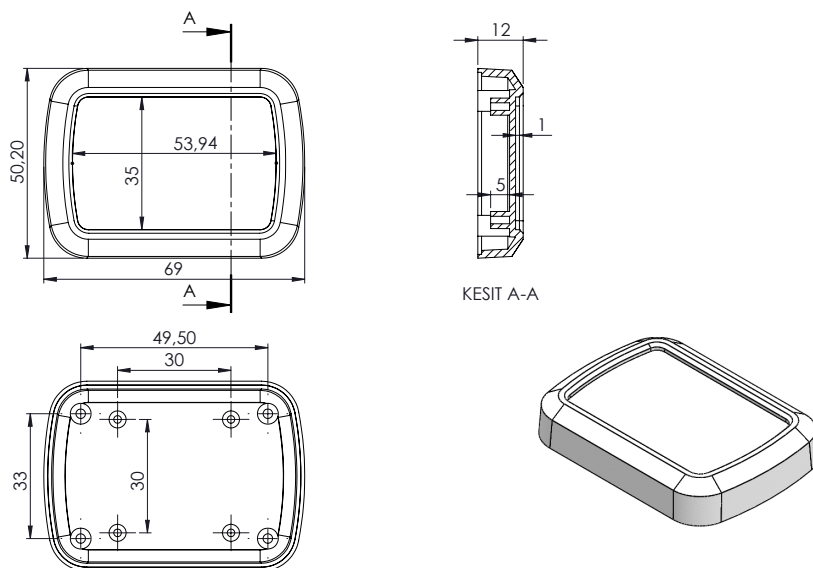
HH-042

<b>HH-042</b>	
Dimensions (mm)	69.5x 50.5 x 21
Material	ABS
Colours	Light Grey or Black

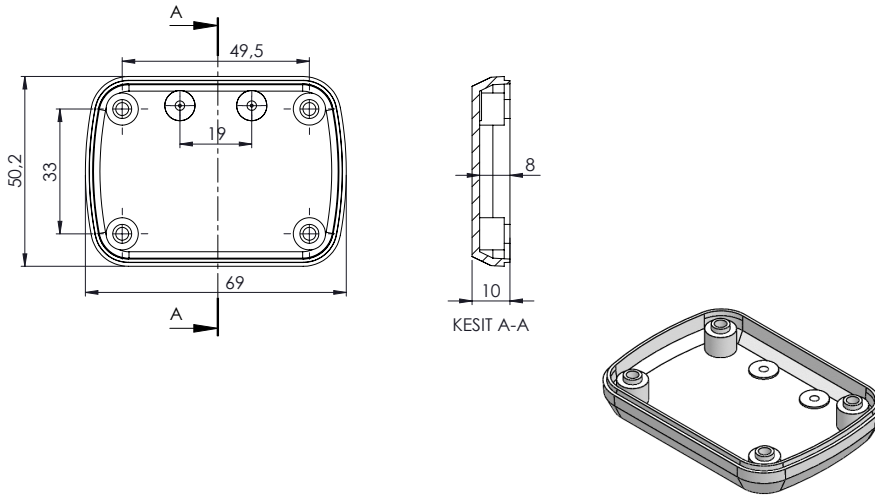
### DRAWING 1 - ASSEMBLY



### DRAWING 2 - COVER



### DRAWING 3 - BASE

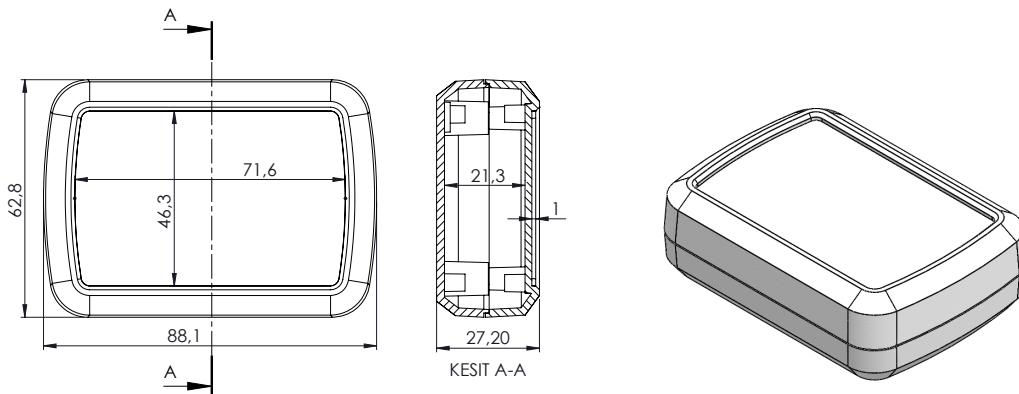




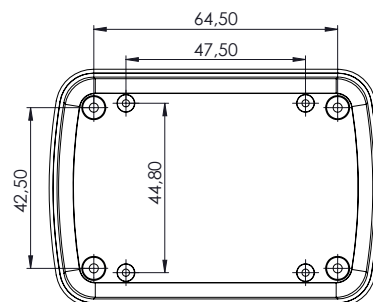
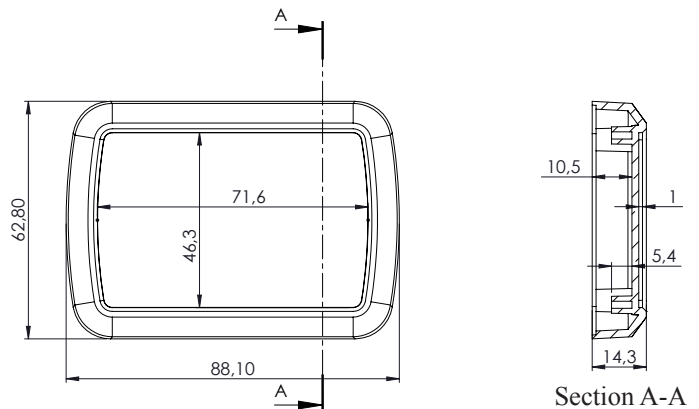
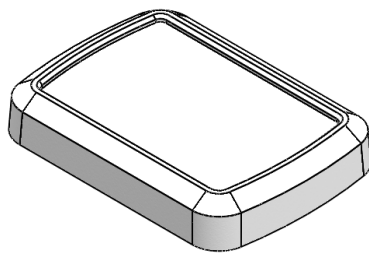
HH-044

<b>HH-044</b>	
Dimensions (mm)	88.5x 63 x 27.5
Material	ABS
Colours	Light Grey or Black

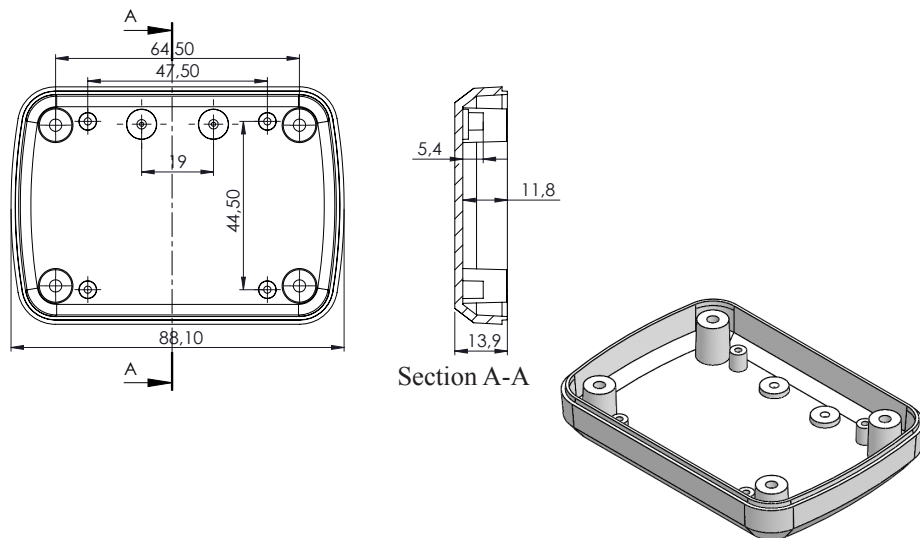
### DRAWING 1 - ASSEMBLY



### DRAWING 2 - COVER

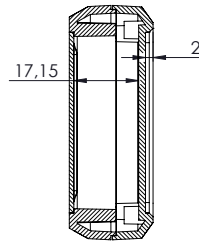
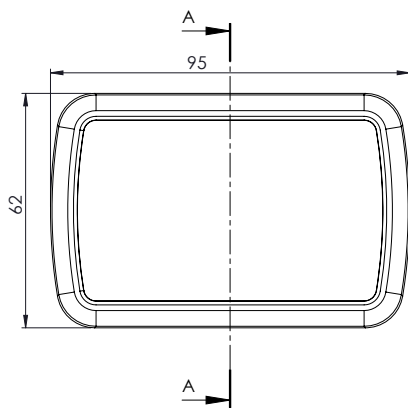


### DRAWING 3 - BASE

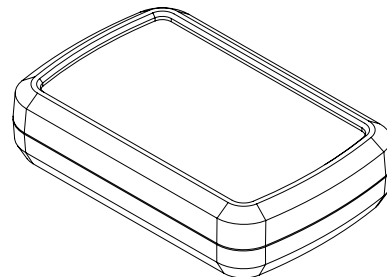
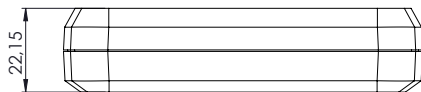




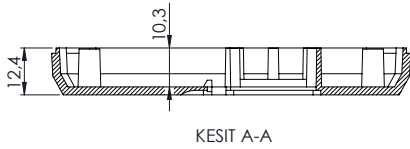
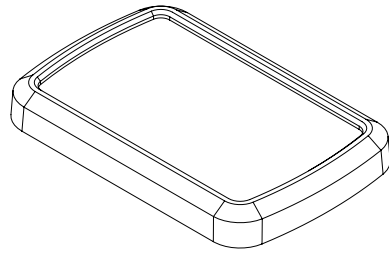
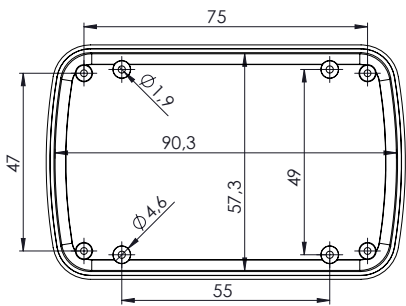
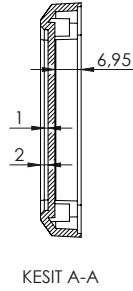
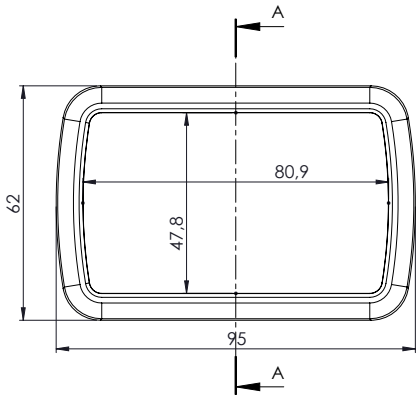
<b>HH-045</b>	
Dimensions (mm)	95x62x22 mm
Material	ABS
Colours	Light Grey or Black
Notes:	Available with or without battery contact



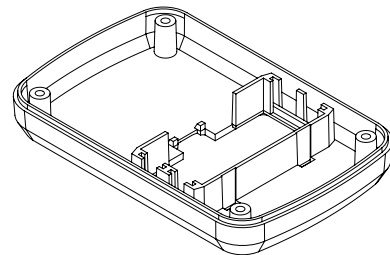
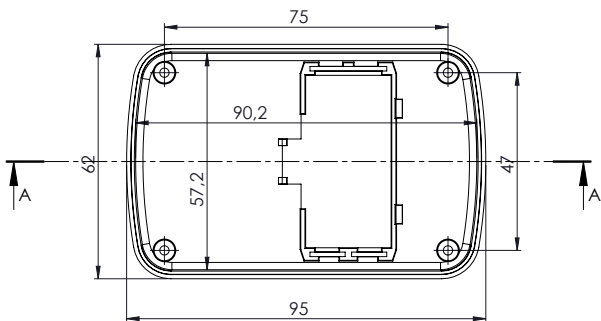
KESIT A-A







KESIT A-A

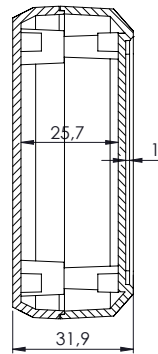
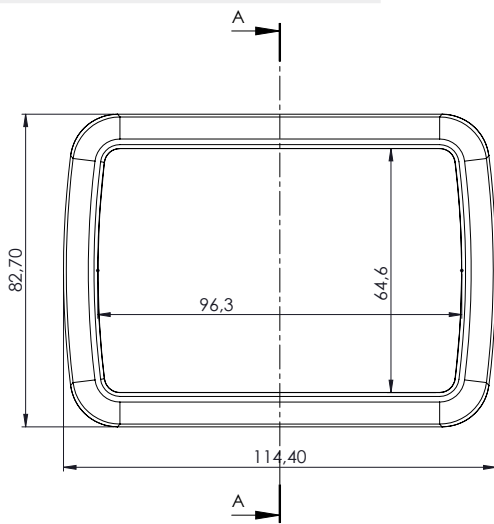




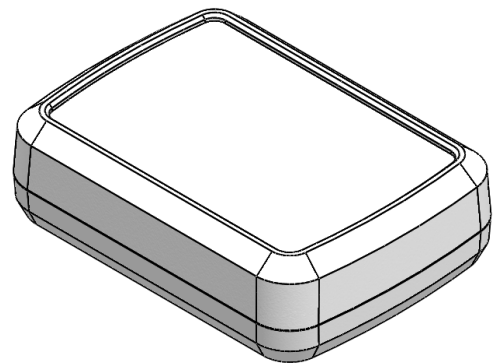
HH-046

<b>HH-046</b>	
Dimensions (mm)	115x 83 x 32
Material	ABS
Colours	Light Grey or Black

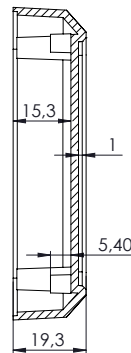
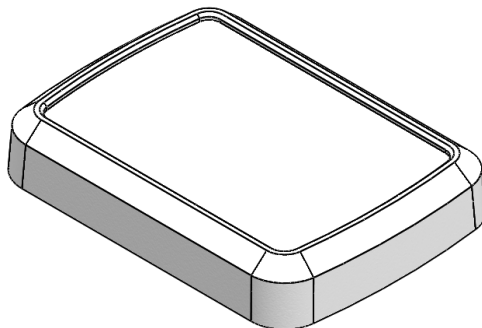
### DRAWING 1 - ASSEMBLY



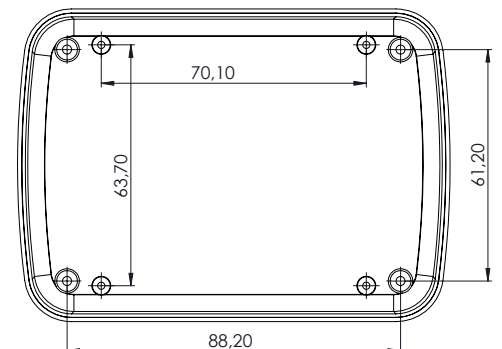
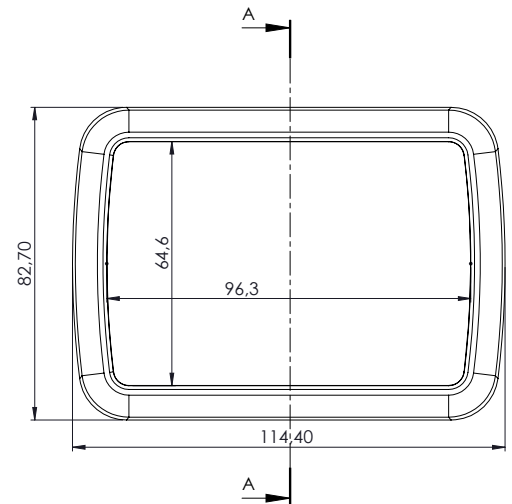
Section A-A



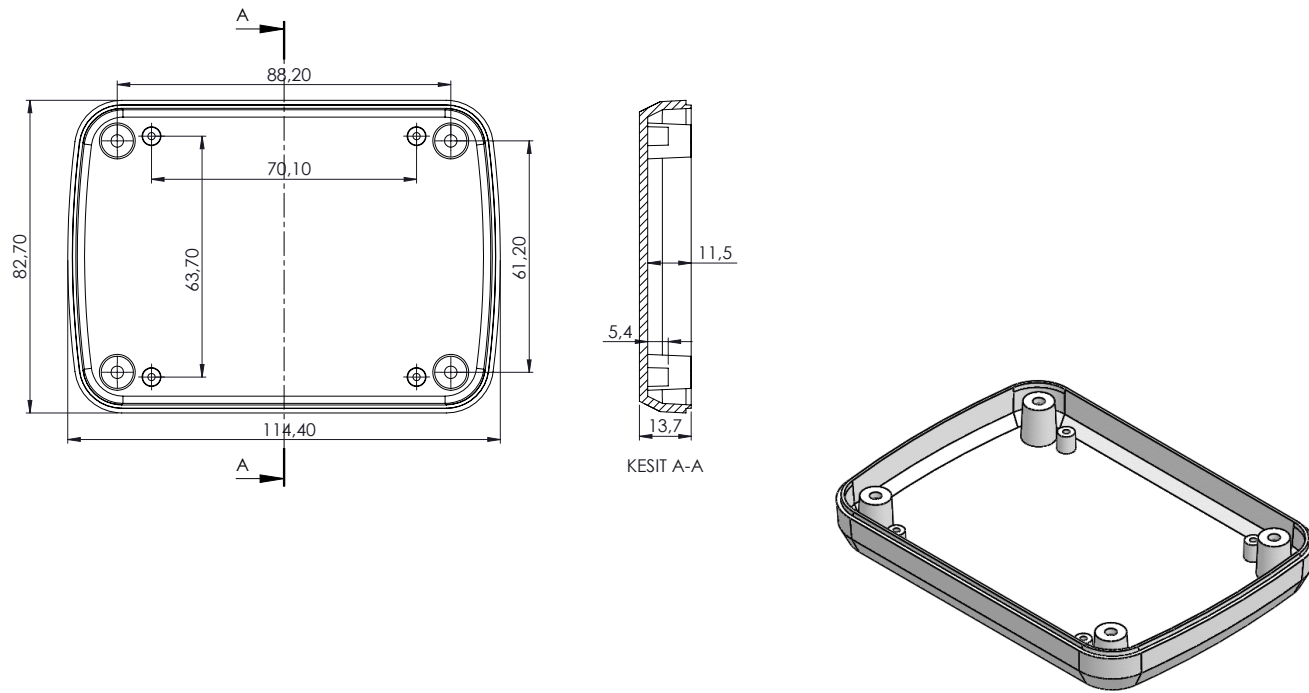
### DRAWING 2 - COVER



Section A-A

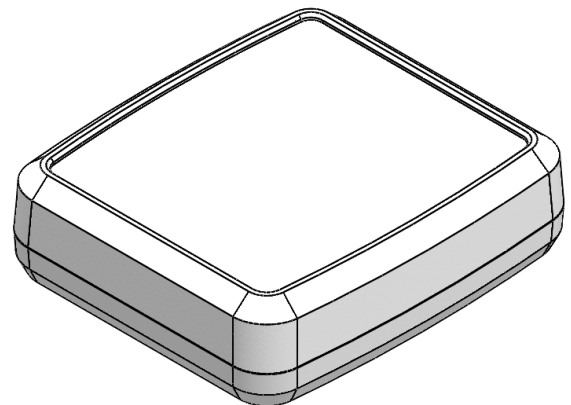
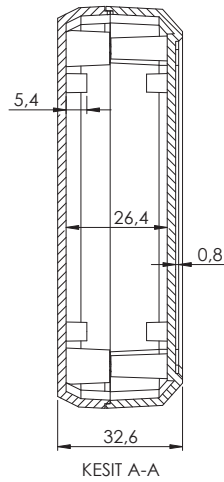
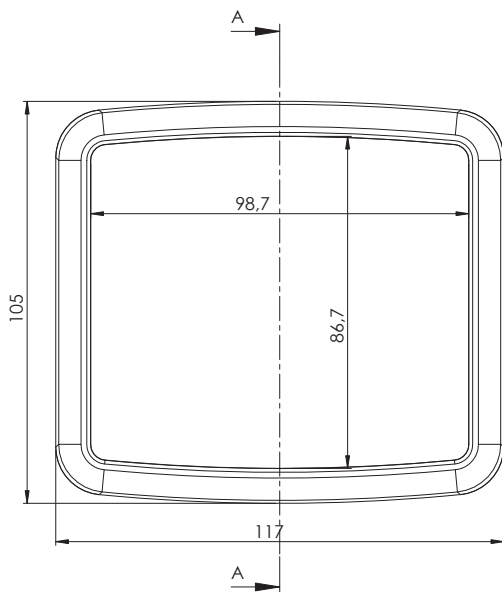


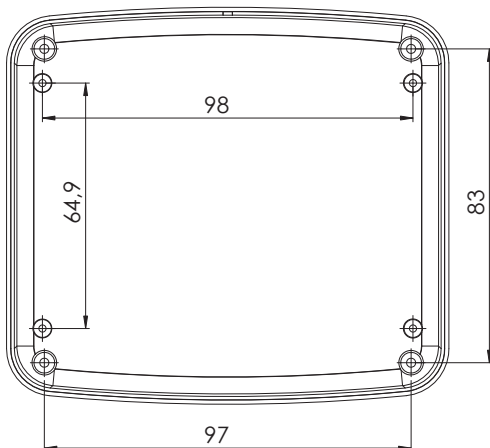
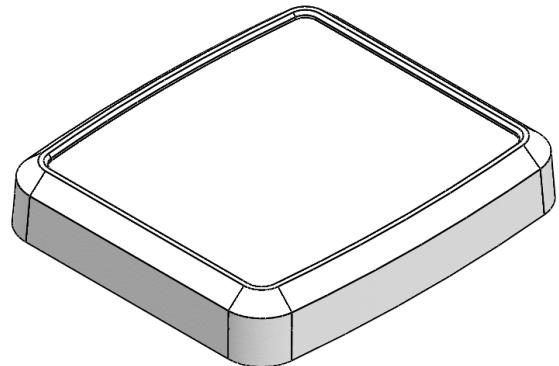
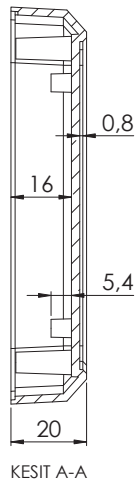
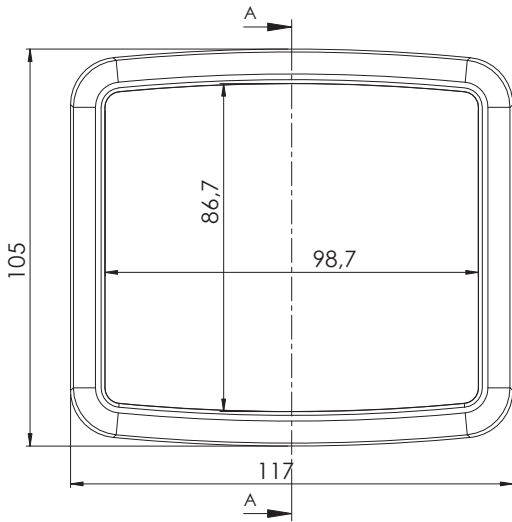
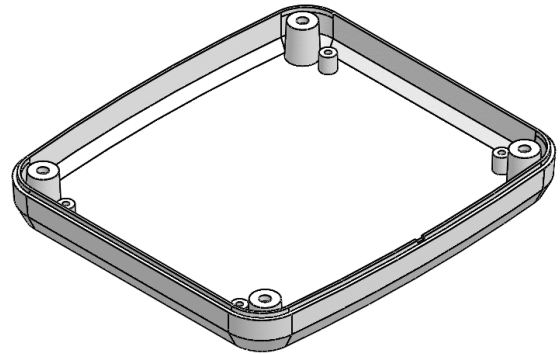
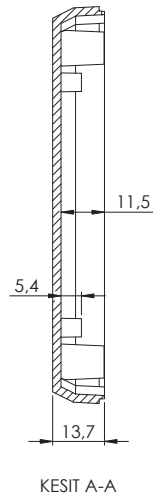
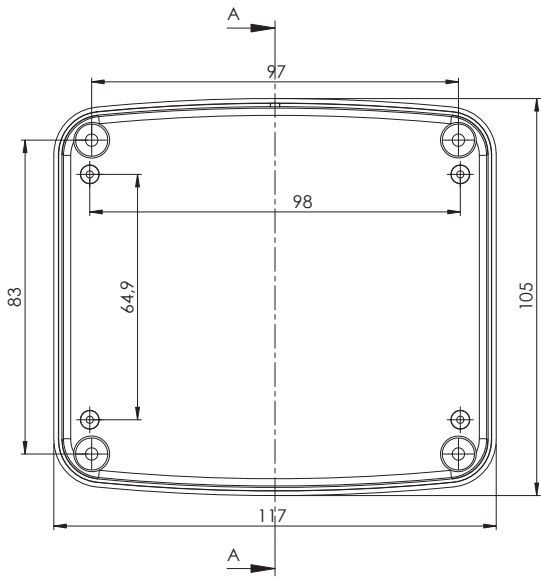
### DRAWING 3 - BASE





<b>HH-047</b>	
Dimensions (mm)	116.5x104.5x32 mm
Material	ABS
Colours	Light Grey or Black



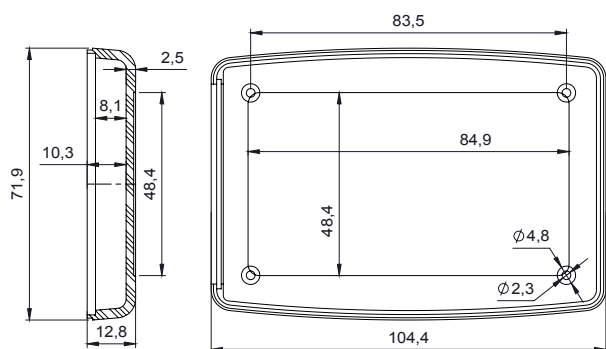




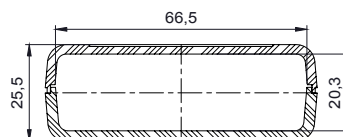
HH-050

<b>HH-050</b>	
Dimensions (mm)	72 x 104 x 26
Material	ABS
Colours	Light Grey or Black

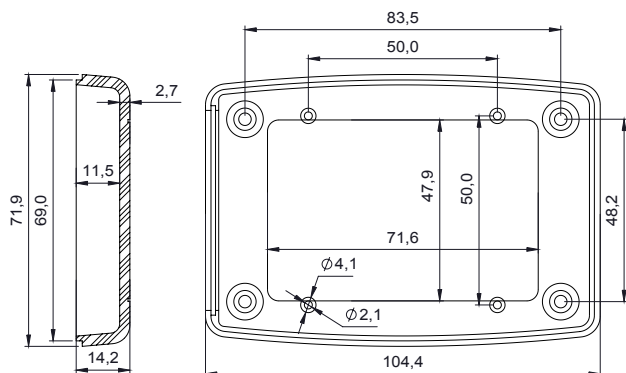
### DRAWING 1



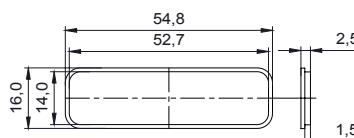
Cover



Section A-A

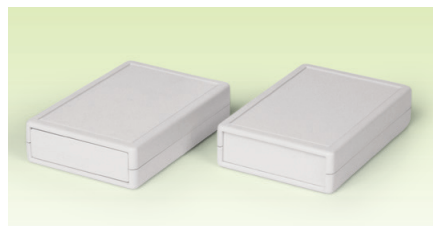


Base



Panel

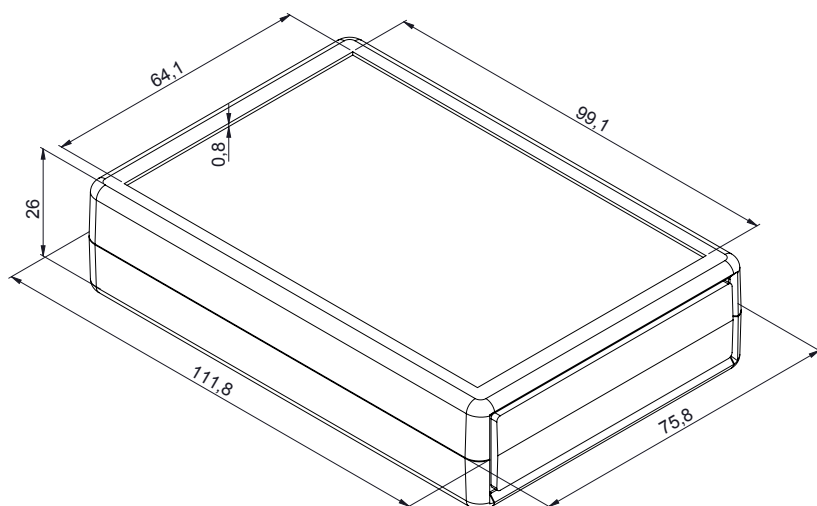




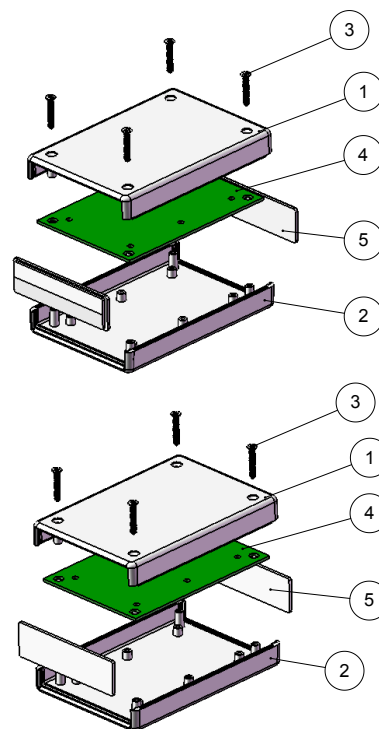
HH-055

<b>HH-055</b>	
Dimensions (mm)	76 x 112 x 26
Material	ABS
Colours	Light Grey or Black

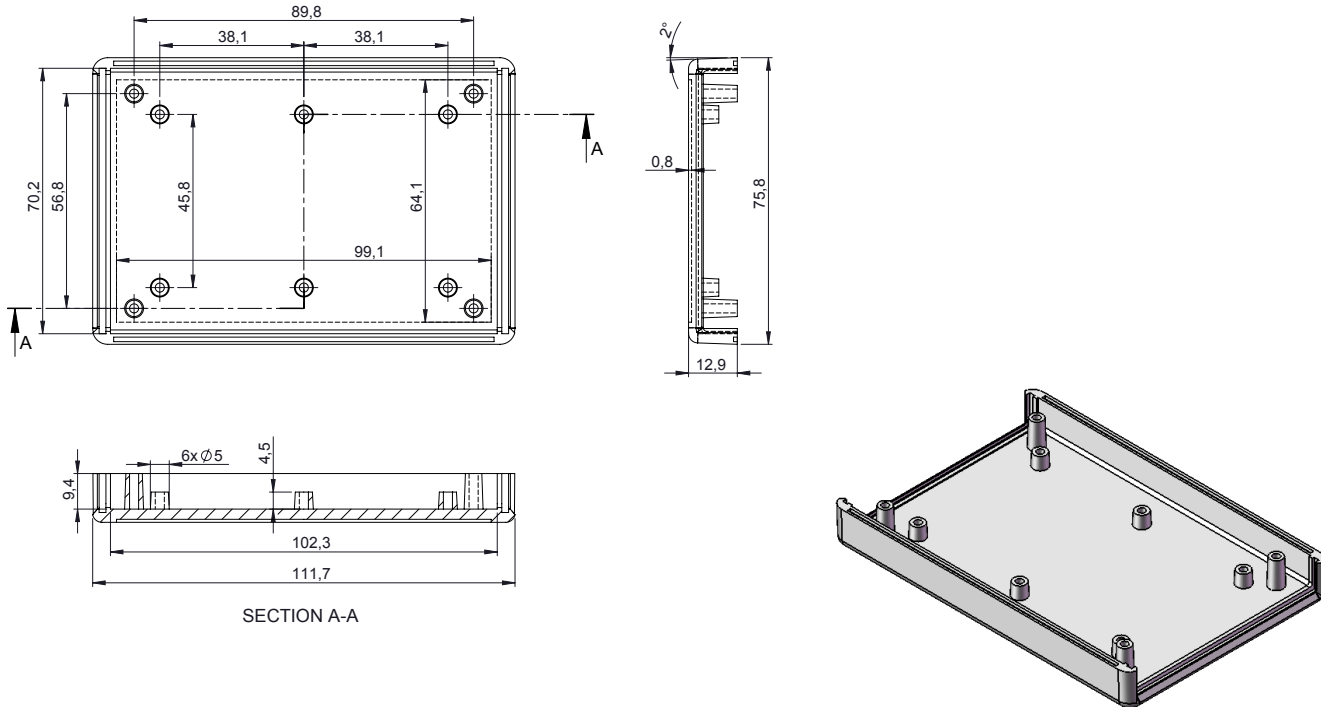
### DRAWING 1 - ASSEMBLY



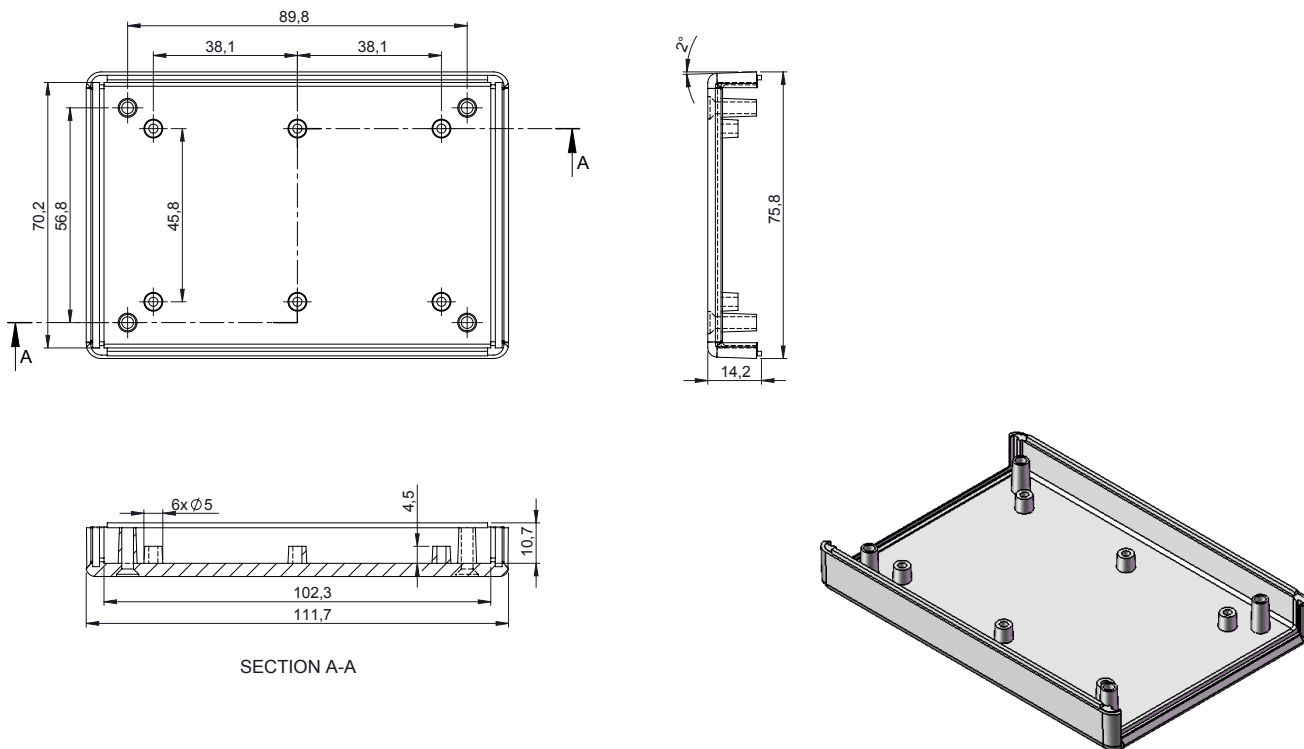
ITEM NO.	PART NUMBER	DESCRIPTION	QTY.
1	HH-055-P-2-G-0-11117	HH-055 Cover	1
2	HH-055-P-1-G-0-11115	HH-055 Upper	1
3	A-646-0-0-M-0-11119	2,2 x 13 mm YHB SC Black Screw	4
4	PCB board sample	No Included	1
5	HH-055-P-3-G-0-11121	HH-055 Flat	2



### DRAWING 2 - COVER

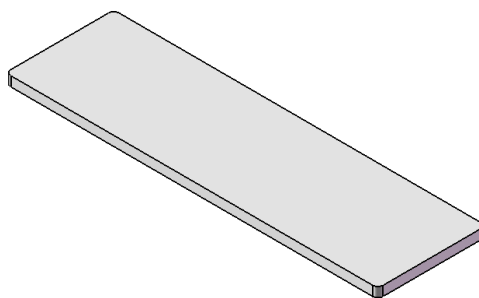
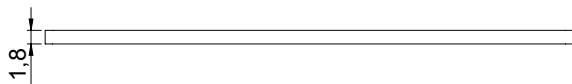
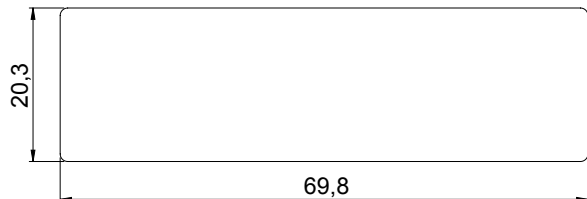


### DRAWING 3 - BASE



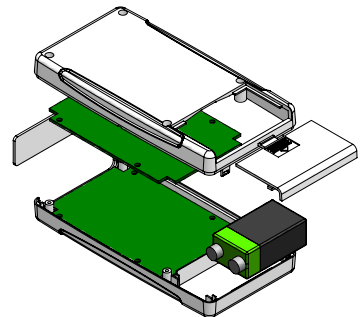
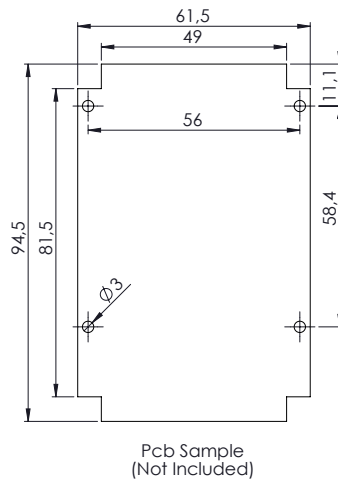
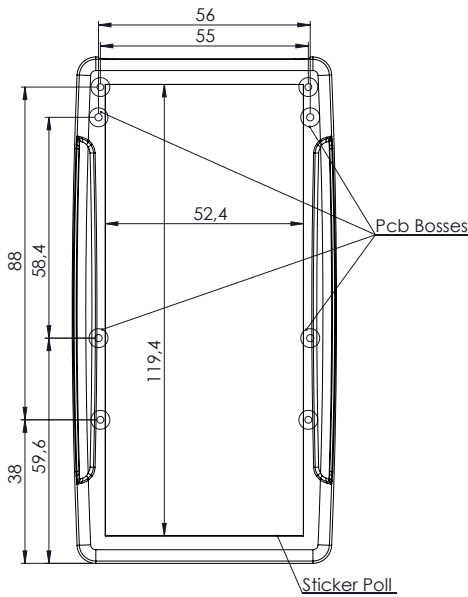
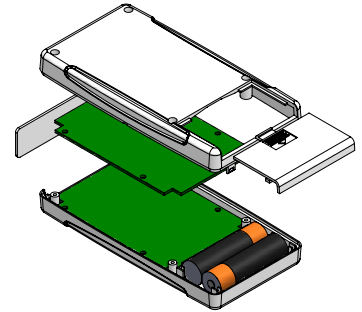
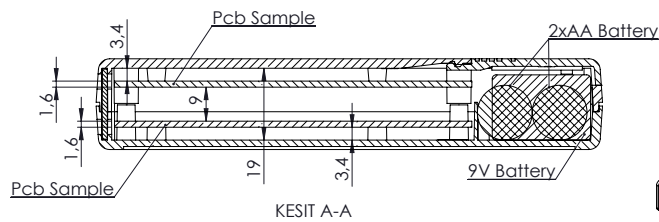
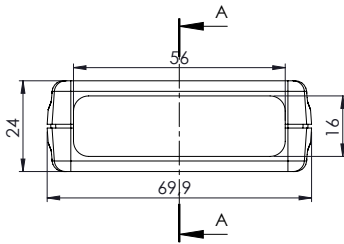


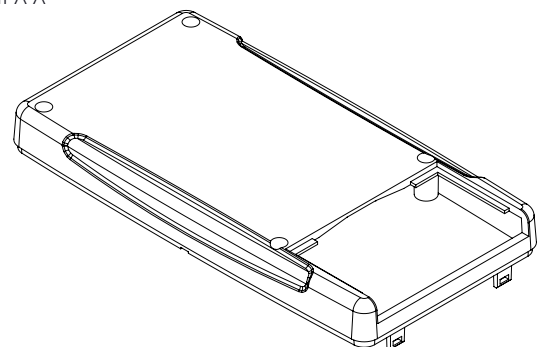
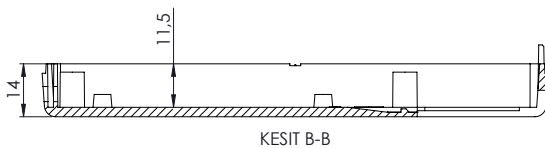
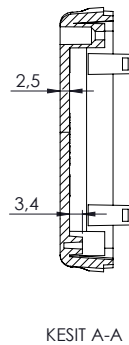
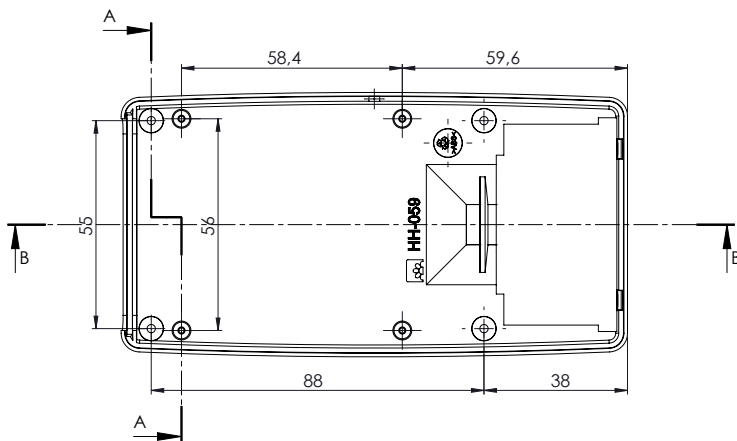
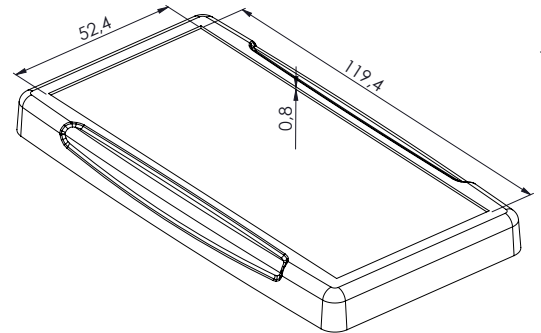
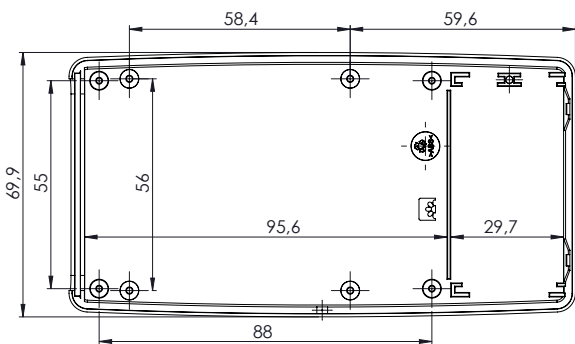
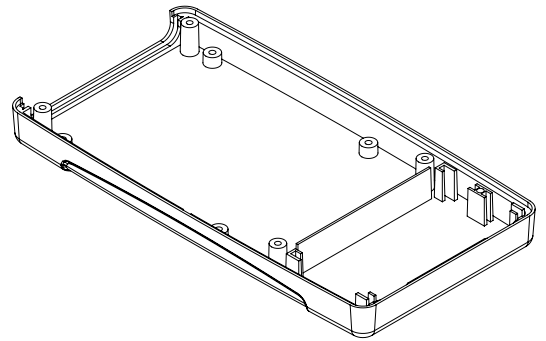
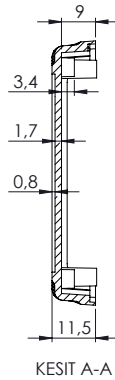
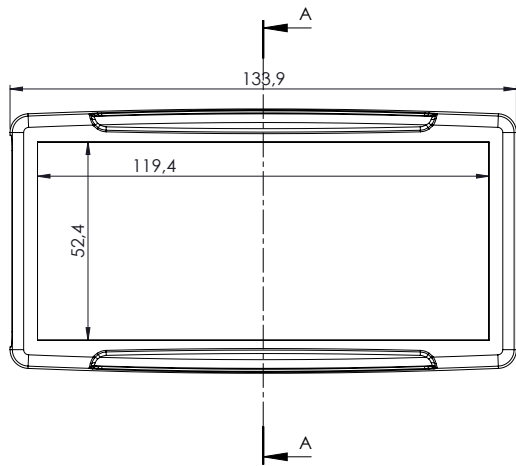
### DRAWING 4 - PANEL





<b>HH-059</b>	
Dimensions (mm)	70x133.5x24 mm
Material	ABS
Colours	Light Grey or Black
Notes	With or without battery contact



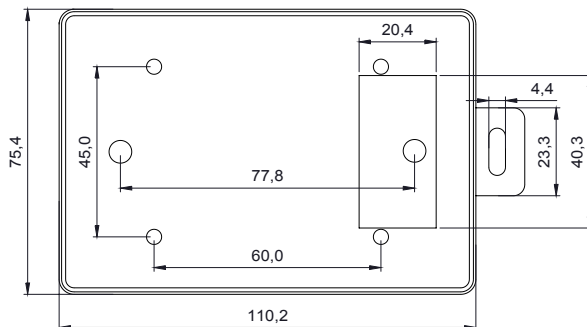
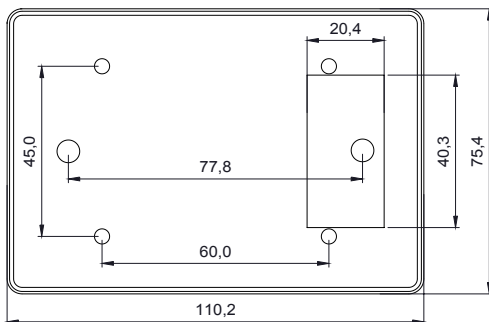
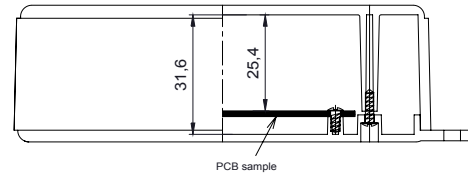
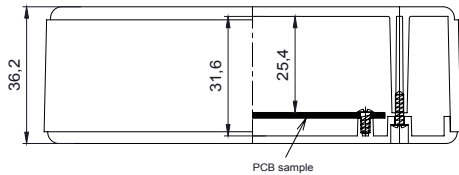




HH-060

<b>HH-060</b>	
Dimensions (mm)	75 x 110 x 36
Material	ABS
Colours	Light Grey or Black

### DRAWING 1



HH-060

HH-060-A

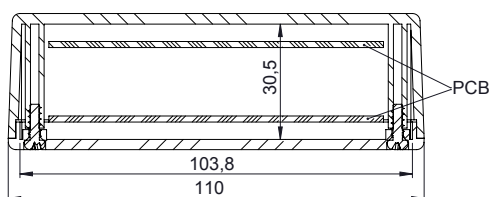
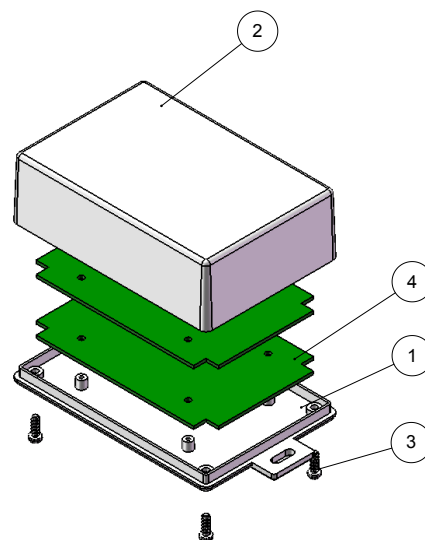
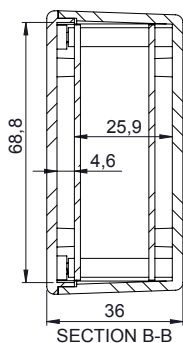
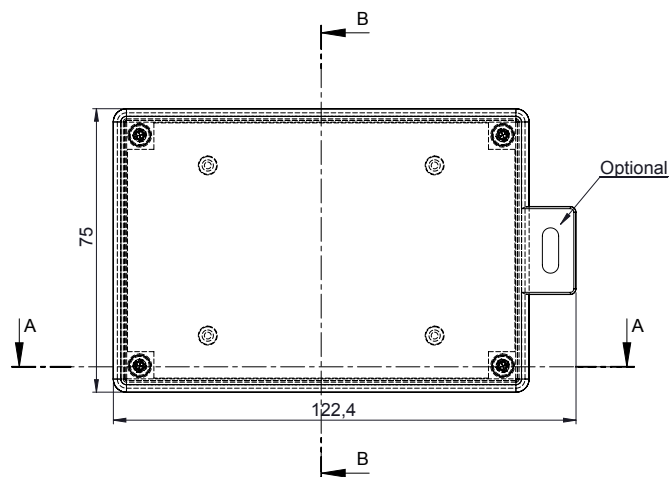




HH-062

<b>HH-062</b>	
Dimensions (mm)	75 x 110 x 36
Material	ABS
Colours	Light Grey or Black

### DRAWING 1 - ASSEMBLY

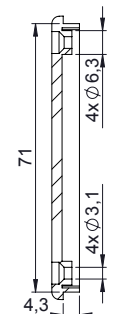
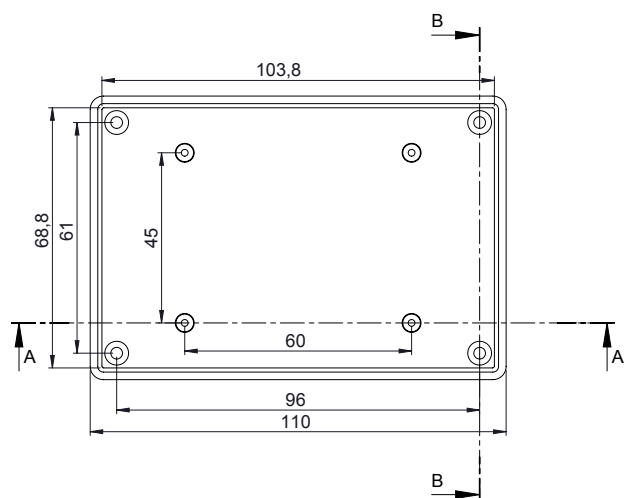


SECTION A-A

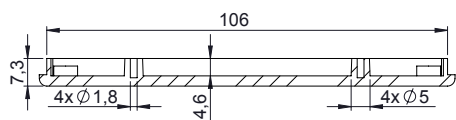
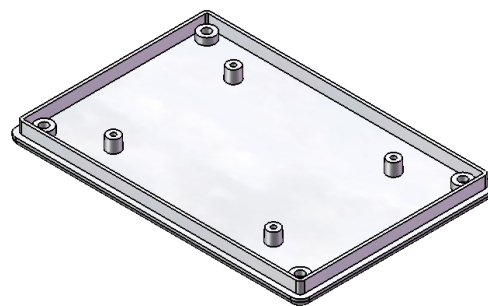
ITEM NO.	PART NUMBER	DESCRIPTION	QTY.
1	HH-062-P-2-11148	HH-062 Cover	1
2	HH-062-P-1-11146	HH-062 Body	1
3	A-614-0-0-M-0-11099	3 x 9,5 mm YSB PLS Metallic Screw	4
4	HH-062 PCB sample	Not Included	2



### DRAWING 2 - COVER

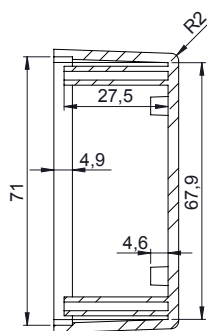
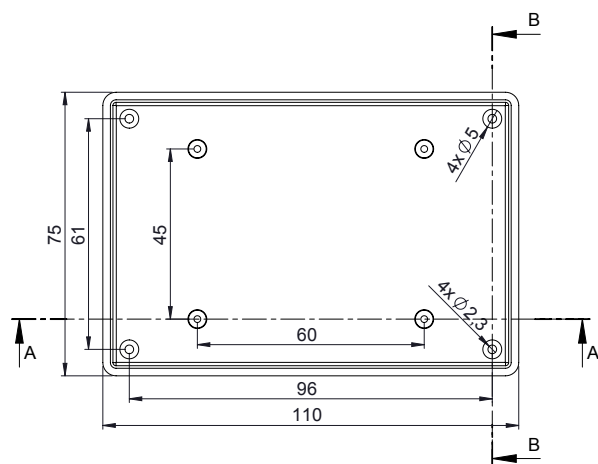


SECTION B-B

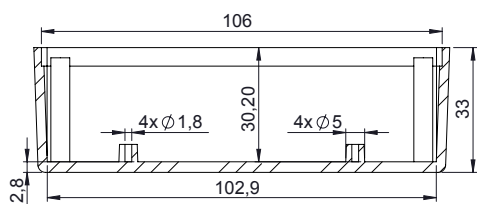
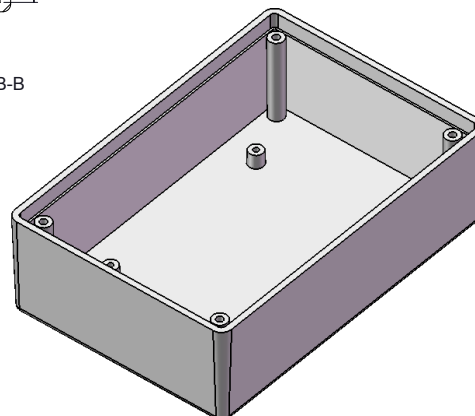


SECTION A-A

### DRAWING 3 - BASE



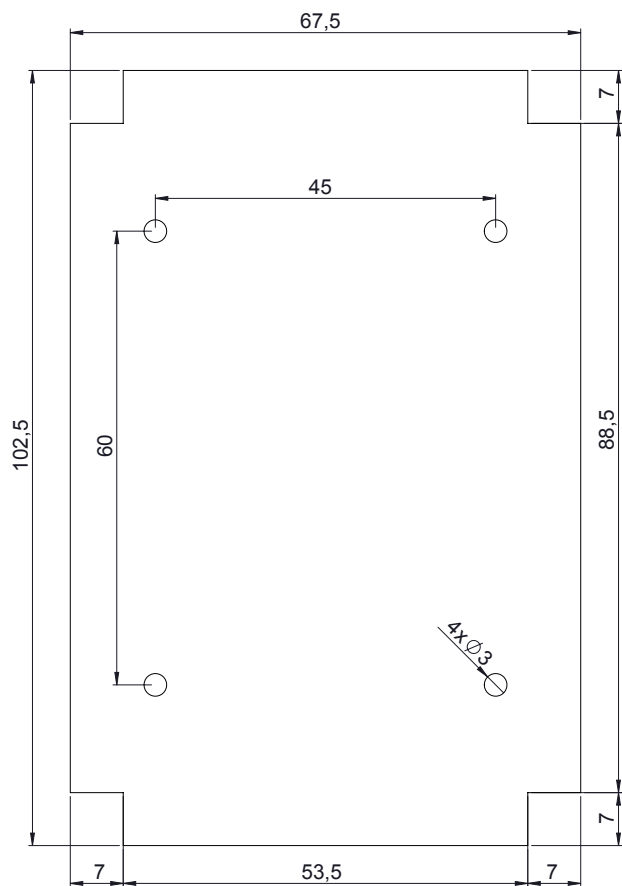
SECTION B-B



SECTION A-A



### DRAWING 4 - PCB DIMENSIONS

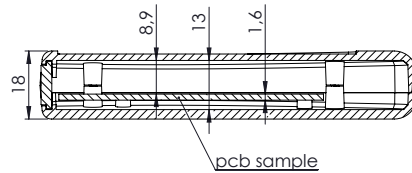
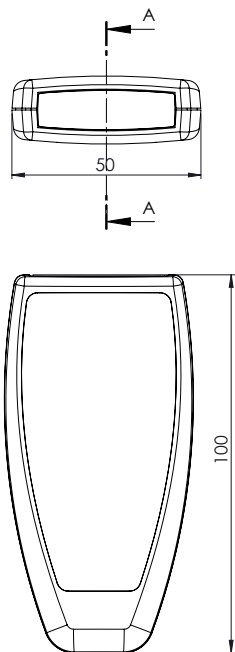




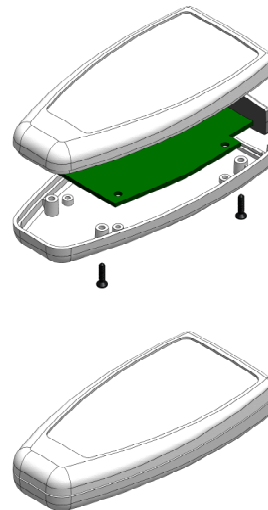
HH-066

<b>HH-066</b>	
Dimensions (mm)	100 x 50 x 18
Material	ABS
Colours	Light Grey or Black

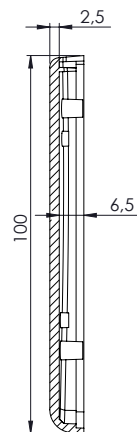
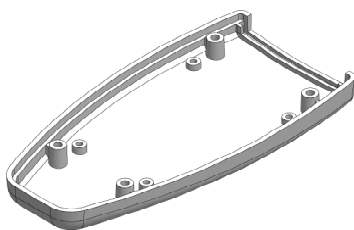
### DRAWING 1



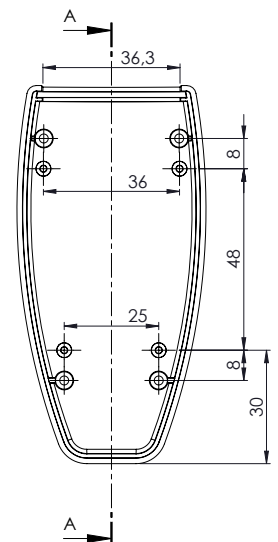
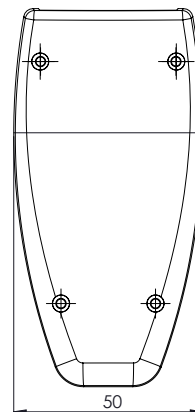
Section A-A



### DRAWING 2 - BASE

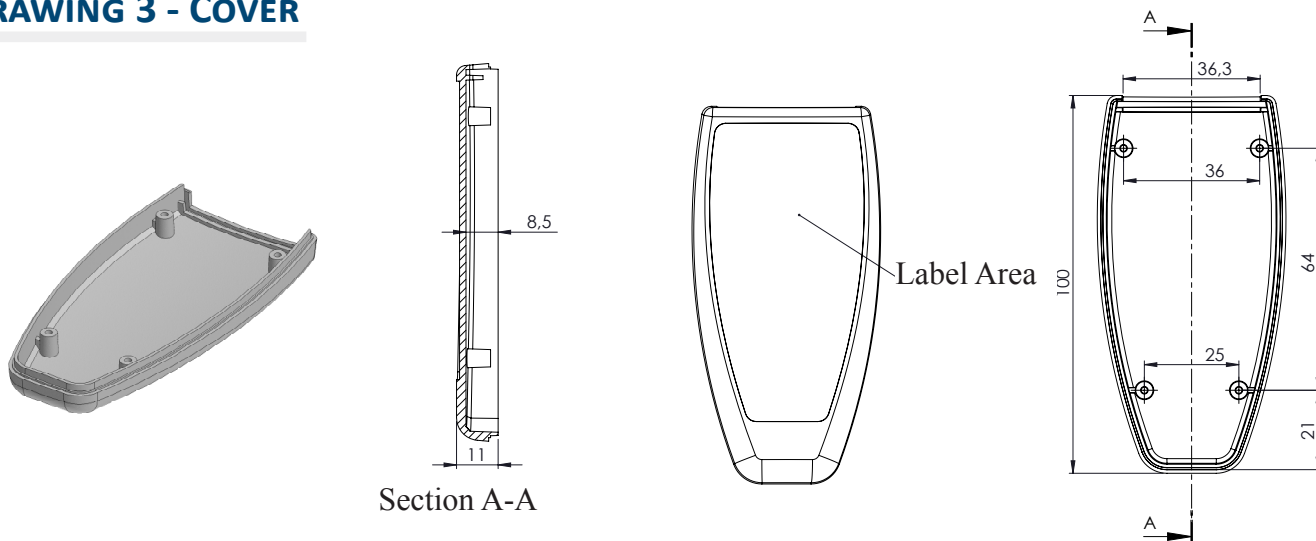


Section A-A

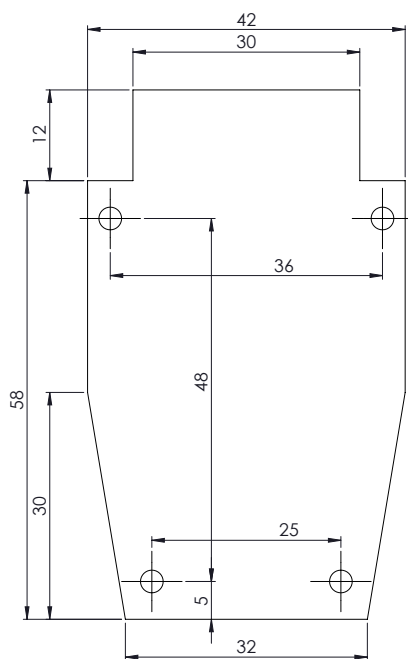




### DRAWING 3 - COVER



### DRAWING 4 - PCB DIMENSIONS

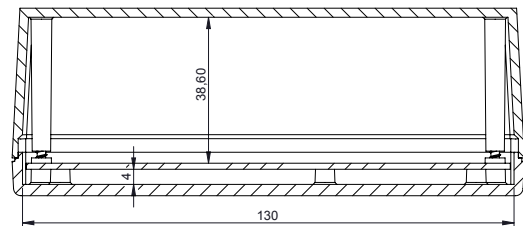
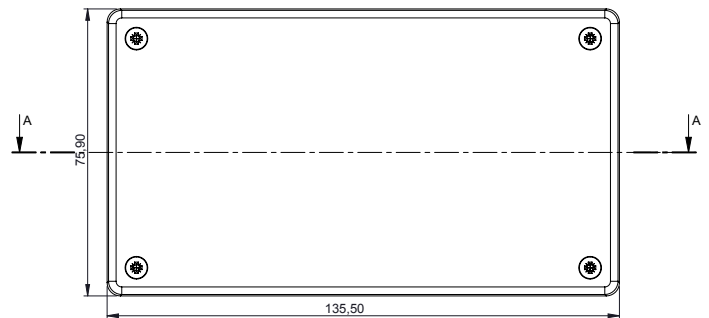
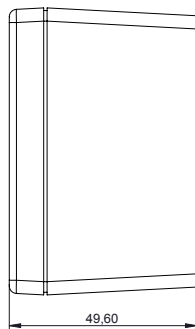
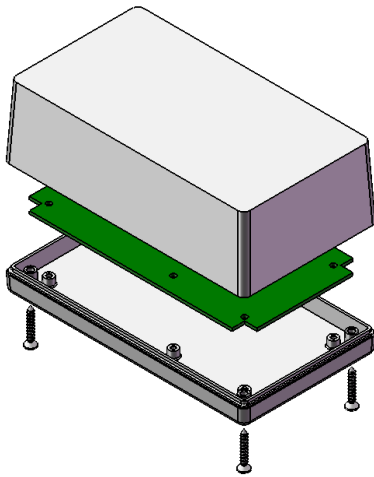




HH-070

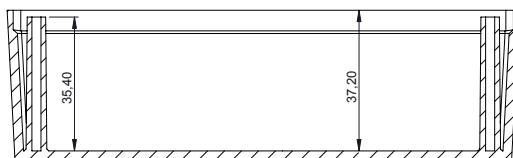
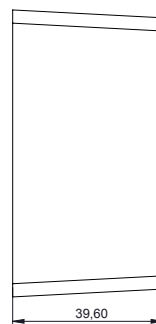
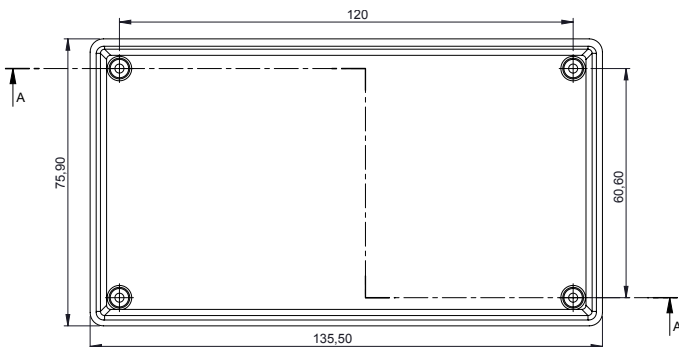
<b>HH-070</b>	
Dimensions (mm)	76 x 136 x 50
Material	ABS
Colours	Light Grey or Black

### DRAWING 1

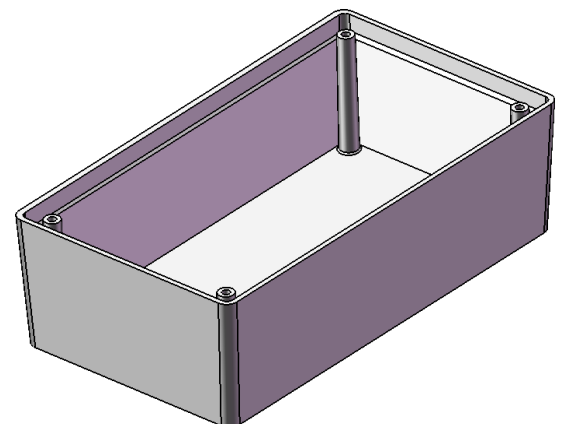


SECTION A-A

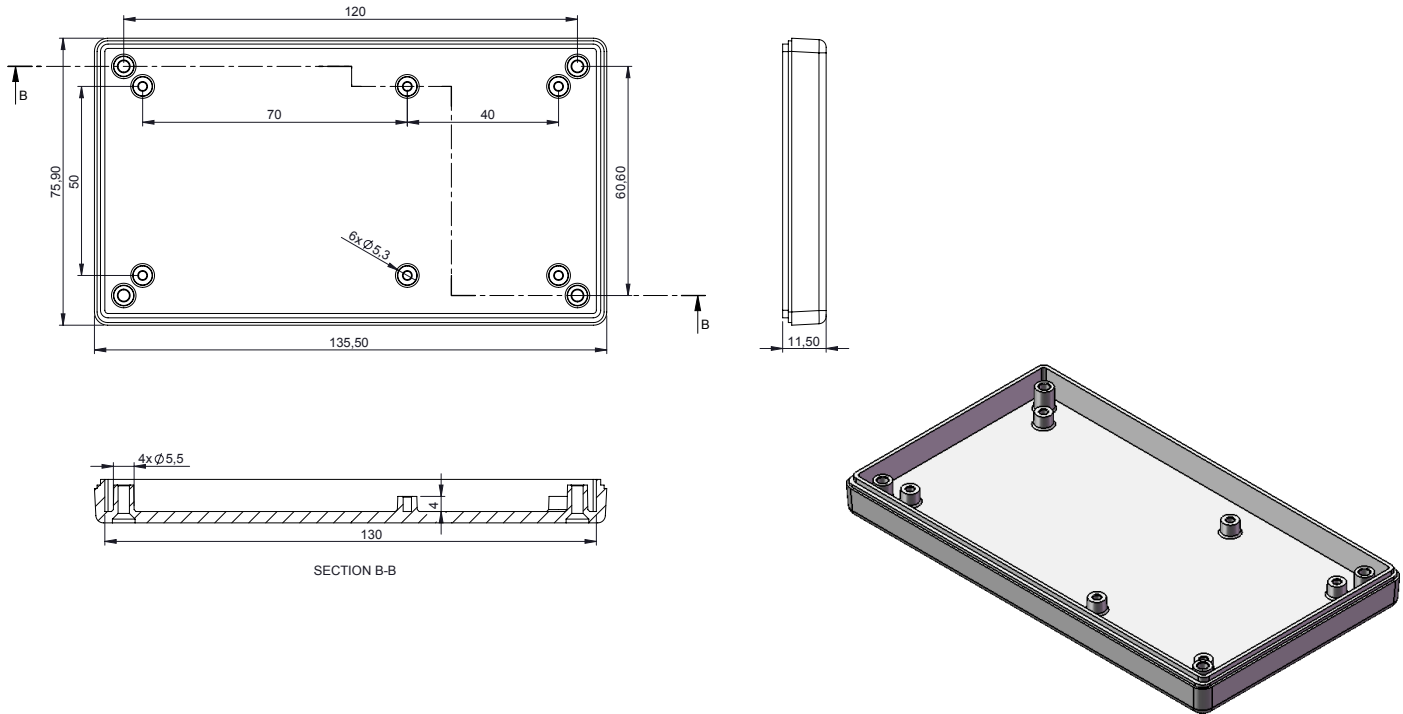
### DRAWING 2 - COVER



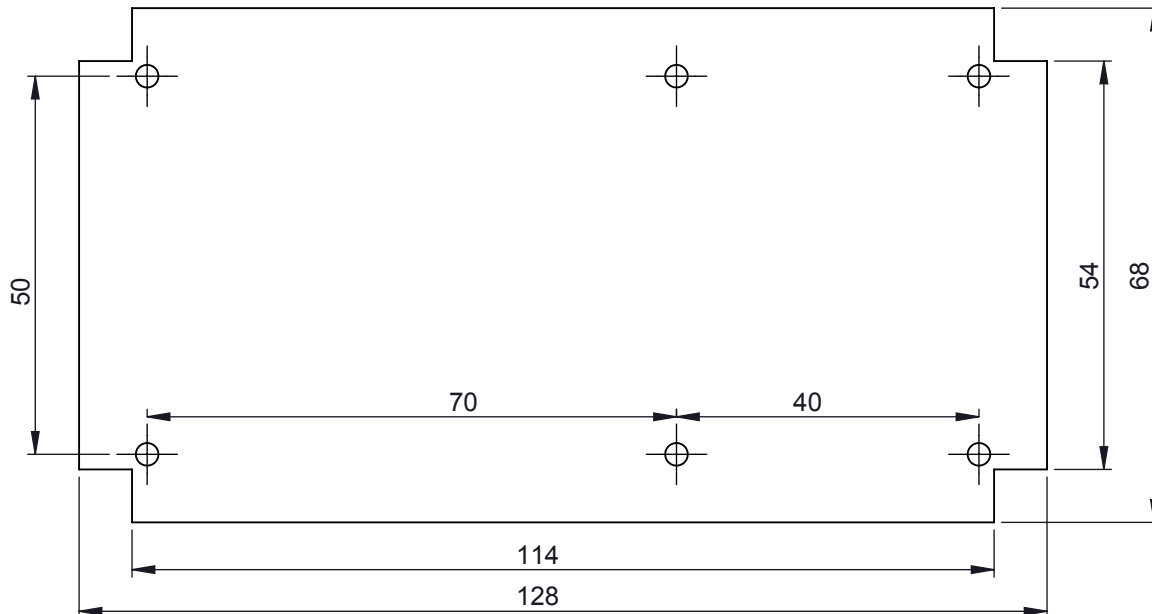
SECTION A-A

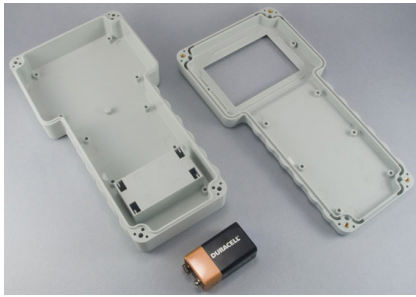


### DRAWING 3 - BASE



### DRAWING 4 - PCB DIMENSION

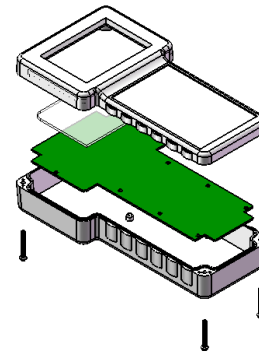
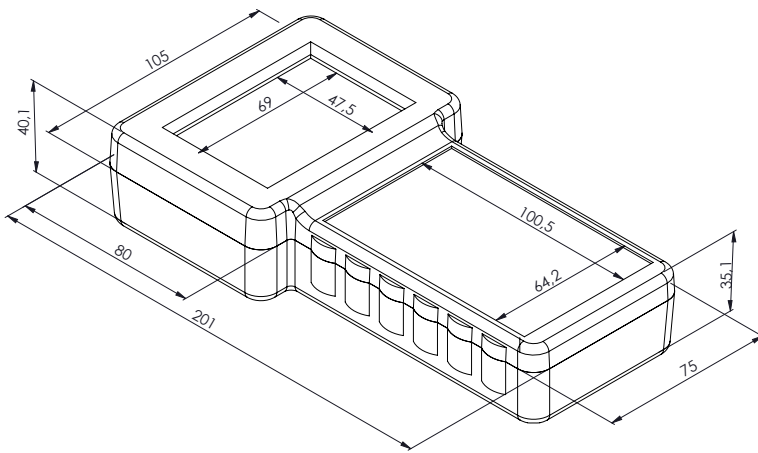




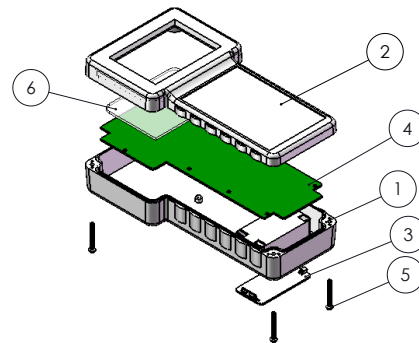
HH-095

<b>HH-095</b>	
Dimensions (mm)	105 x 201 x 41
Material	ABS
Colours	Light Grey or Black

### DRAWING 1



HH-095

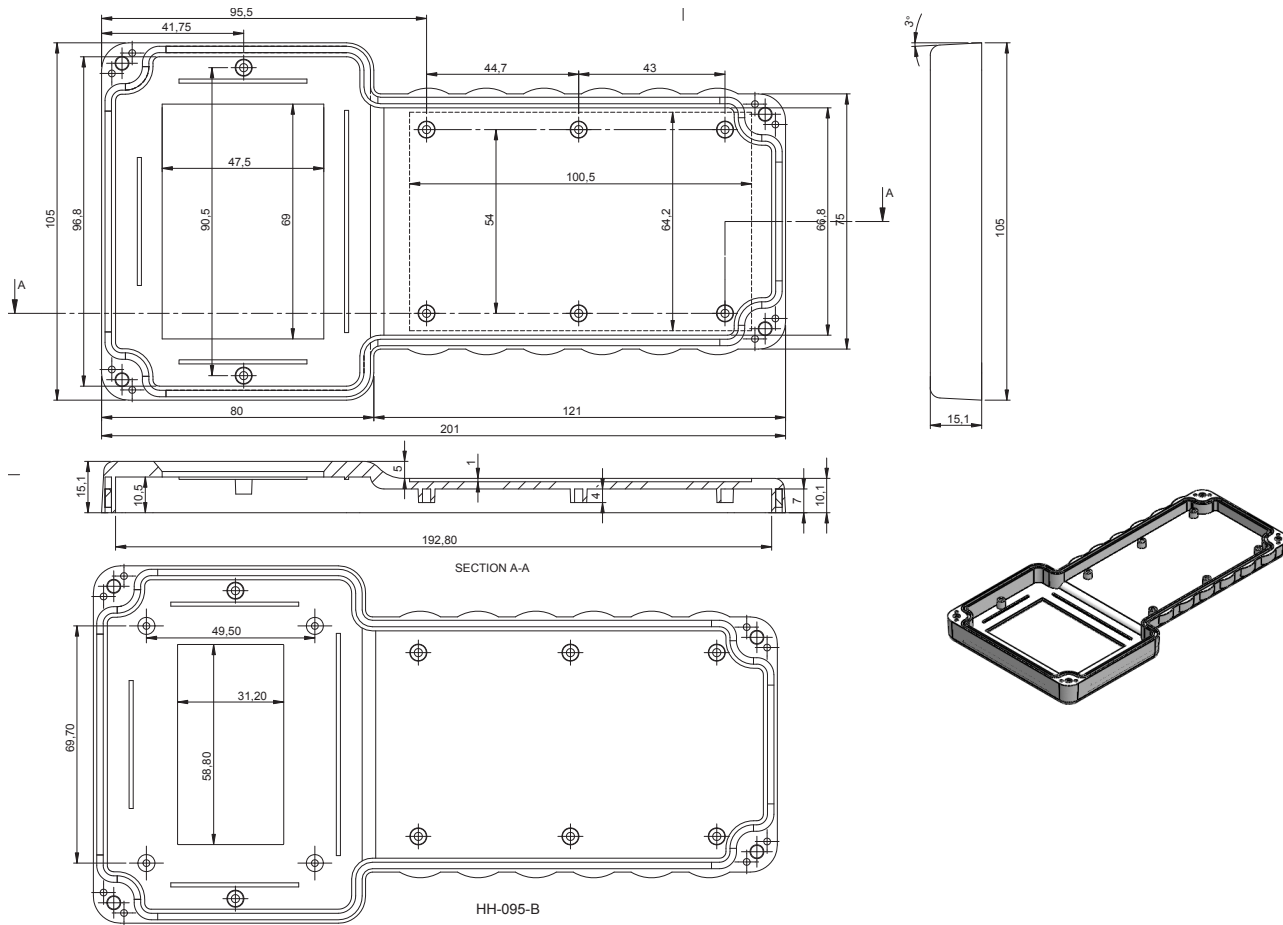


HH-095-A

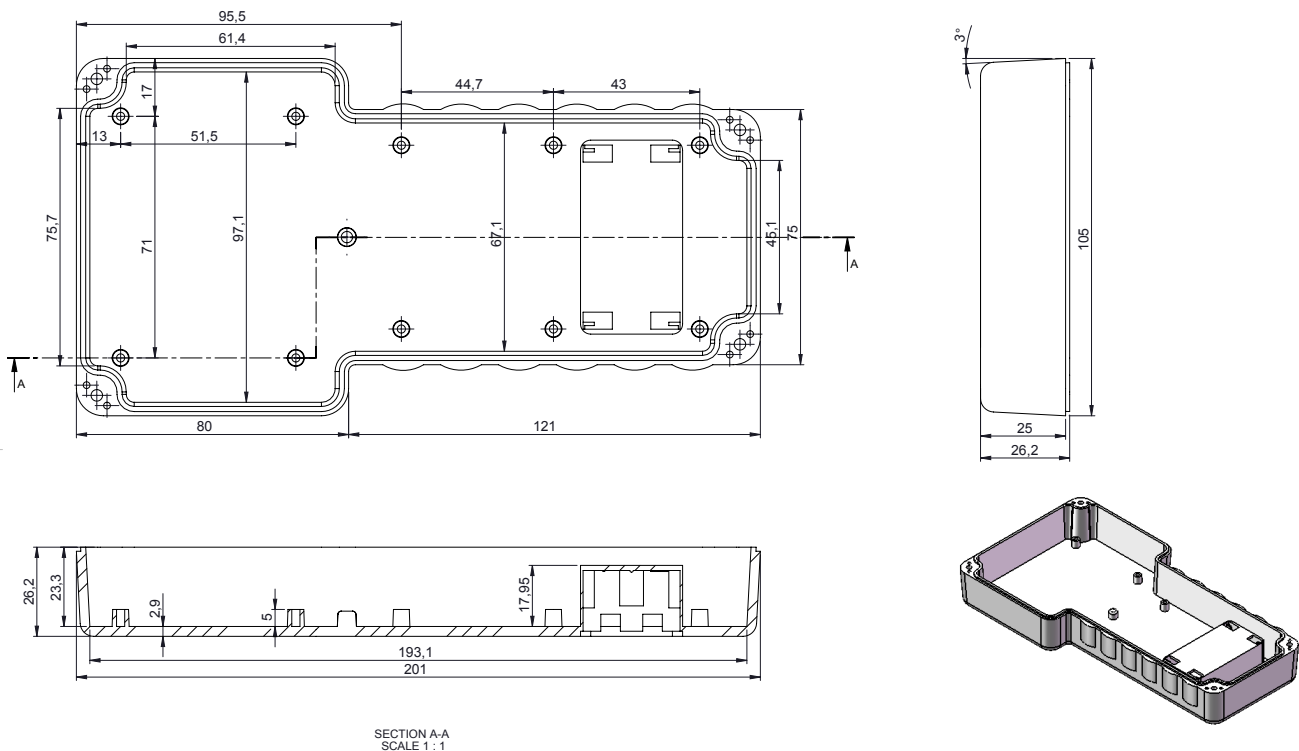
ITEM NO.	PART NUMBER	DESCRIPTION	QTY.
1	HH-095-P-2-11174	HH-095 Body with Battery Compartment	1
2	HH-095-P-3-11175	HH-095 Upper Body	1
3	A-99-0-0-G-0-11182	Plastic Battery Cover	1
4	HH-095 PCB sample	Not Included	1
5	A-647-0-0-M-0-11181	M3X25 YSB Metalik Vida	4
6	Cam	HH-095 Cam	1



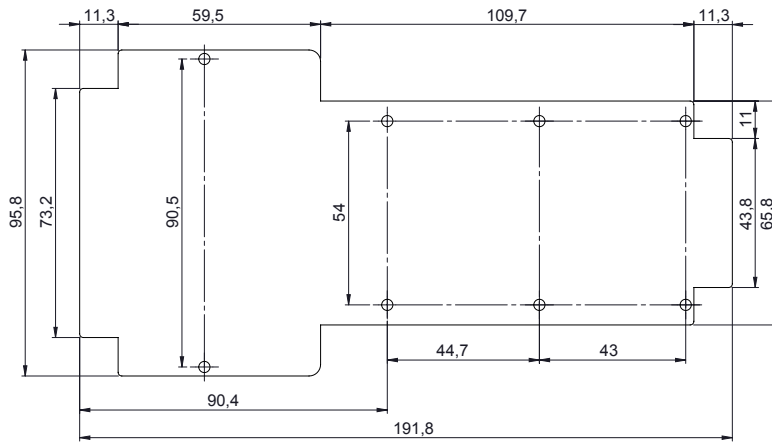
### DRAWING 2 - COVER



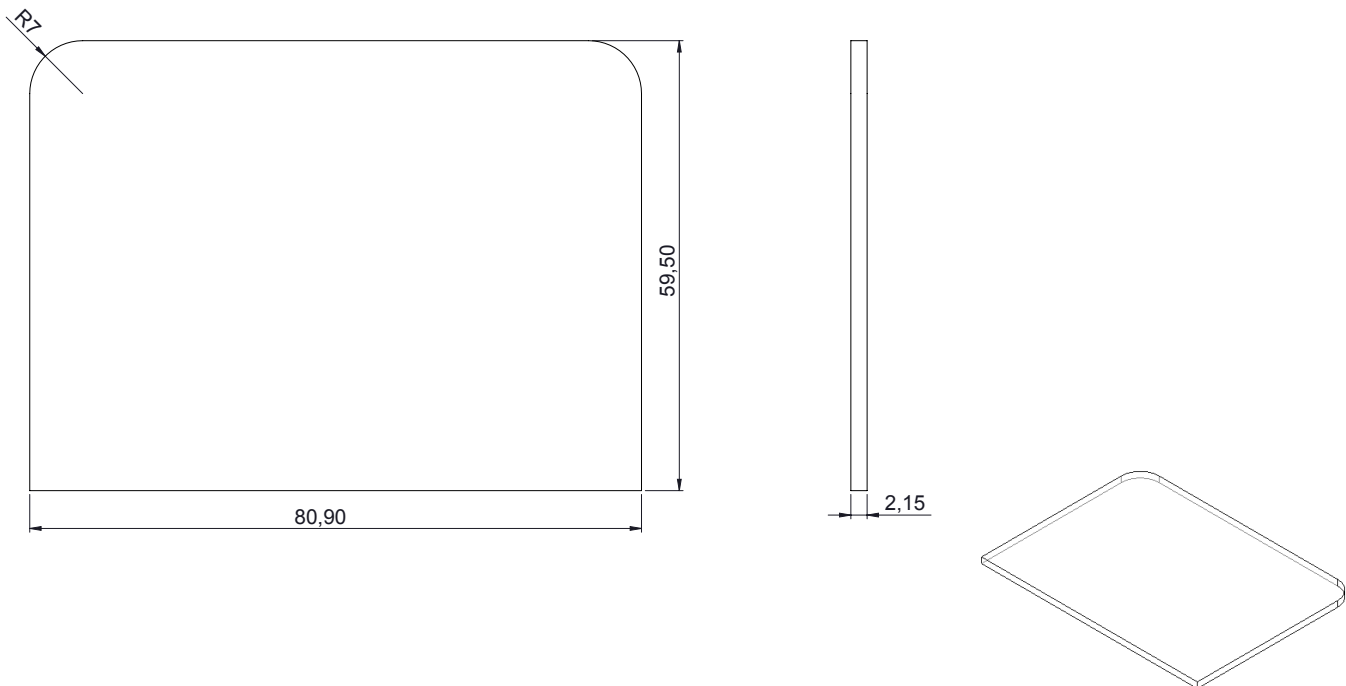
### DRAWING 3 - BASE



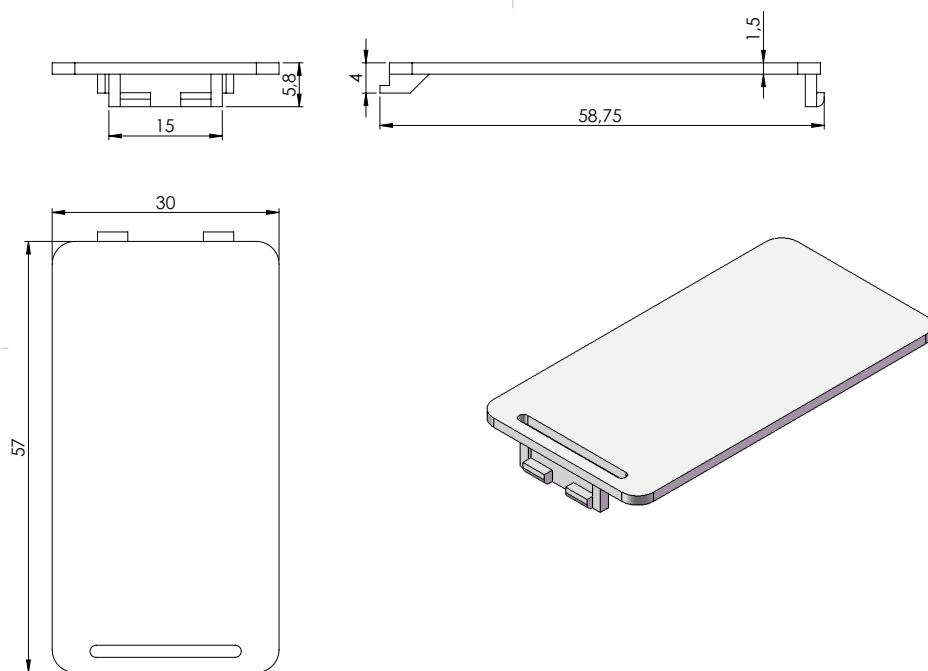
### DRAWING 4 - PCB DIMENSIONS



### DRAWING 5 - CLEAR COVER



### DRAWING 6 - BATTERY COVER

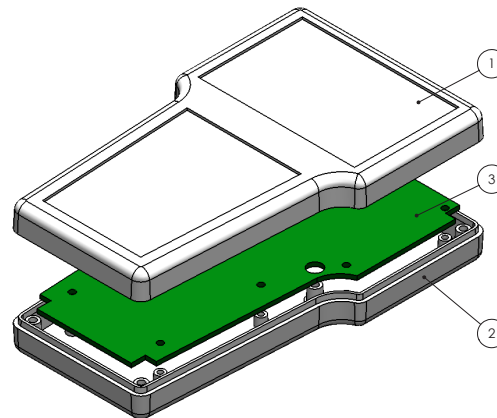
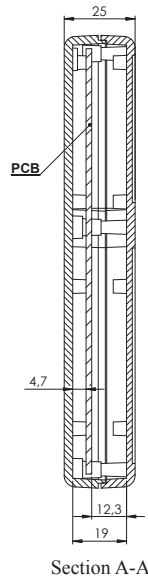
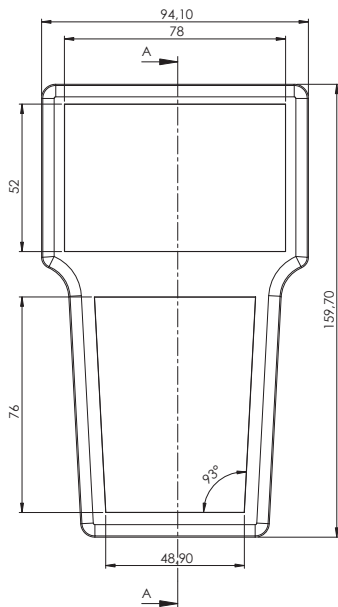




HH-097

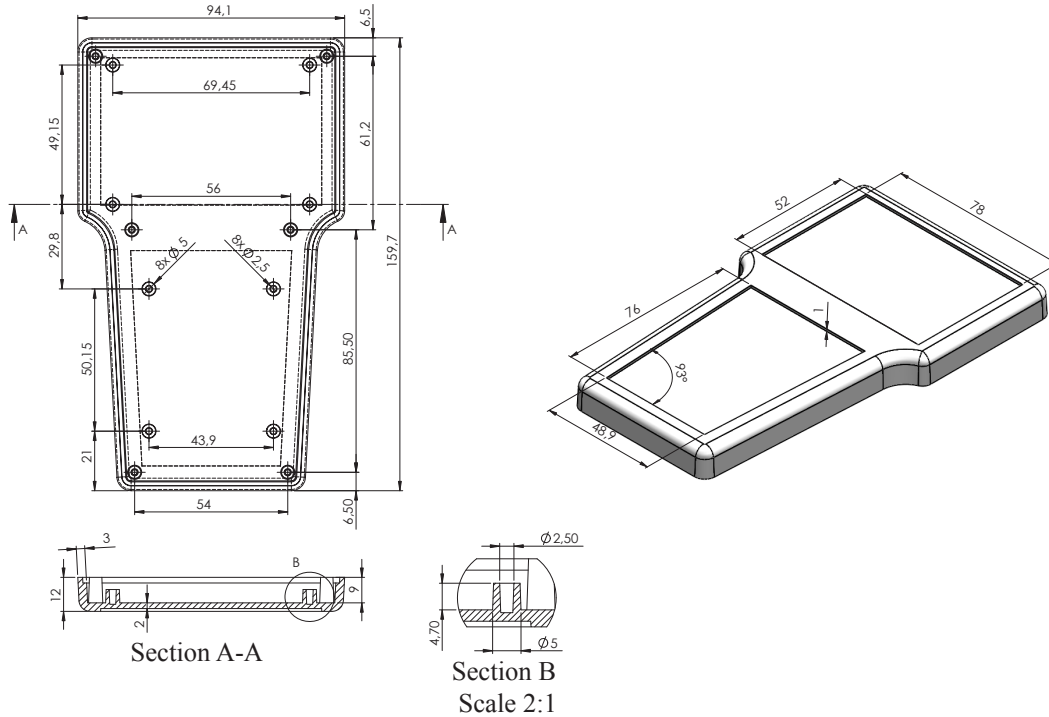
<b>HH-097</b>	
Dimensions (mm)	160 x 94 x 25
Material	ABS
Colours	Light Grey or Black

### DRAWING 1

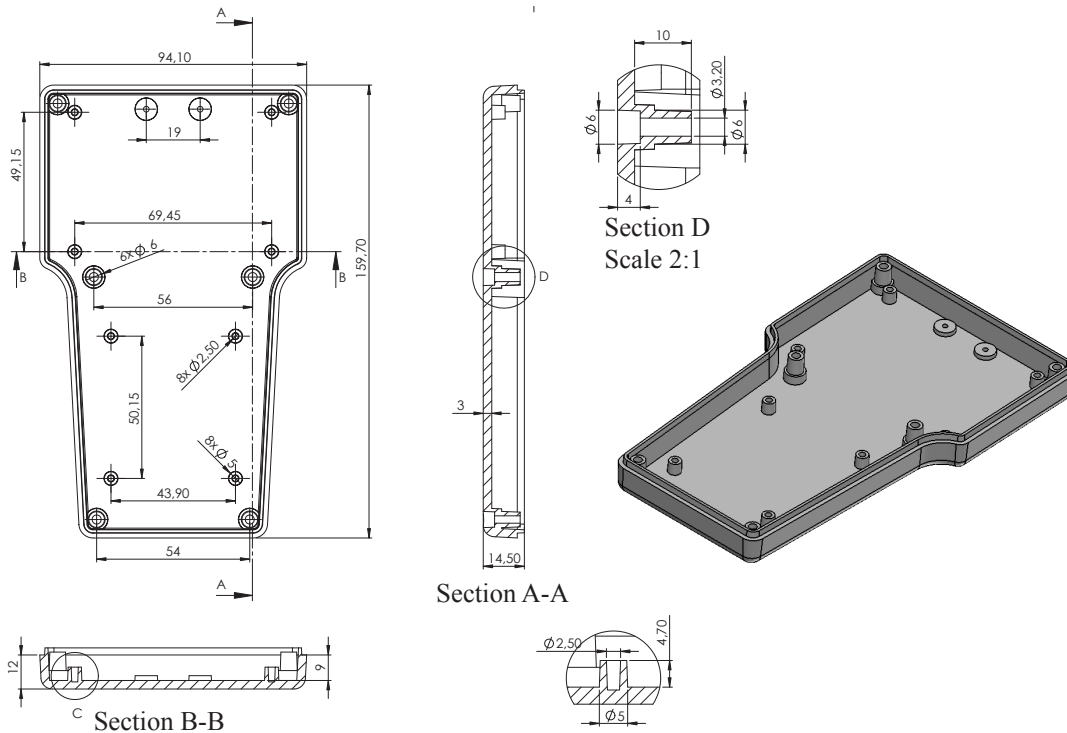




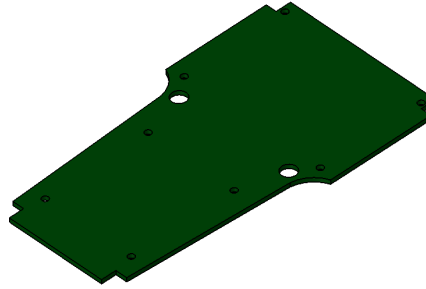
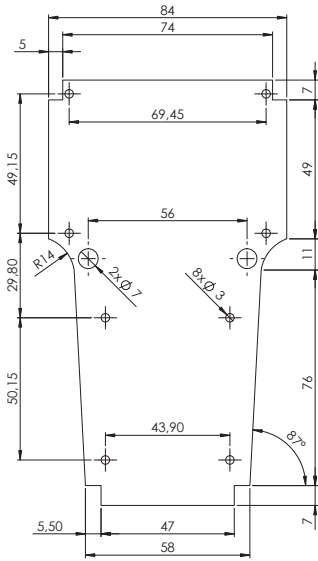
### DRAWING 2 - COVER

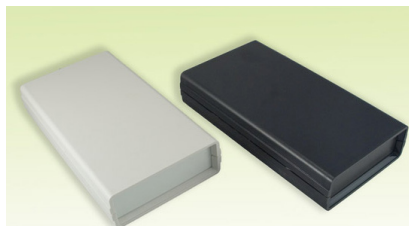


### DRAWING 3 - COVER



### DRAWING 4

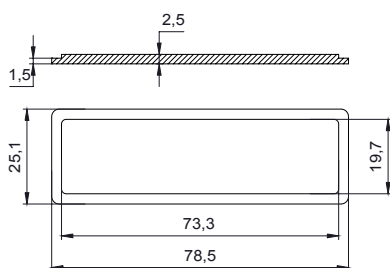
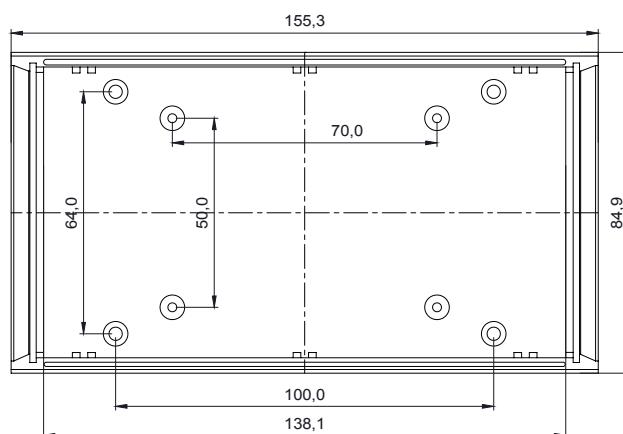
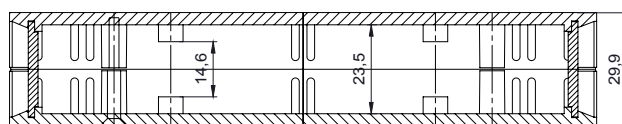
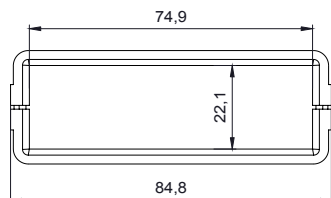




HH-8080

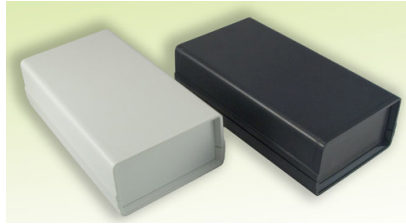
<b>HH-8080</b>	
Dimensions (mm)	85 x 155 x 30
Material	ABS
Colours	Light Grey or Black

### DRAWING 1



HH-8080 Panel

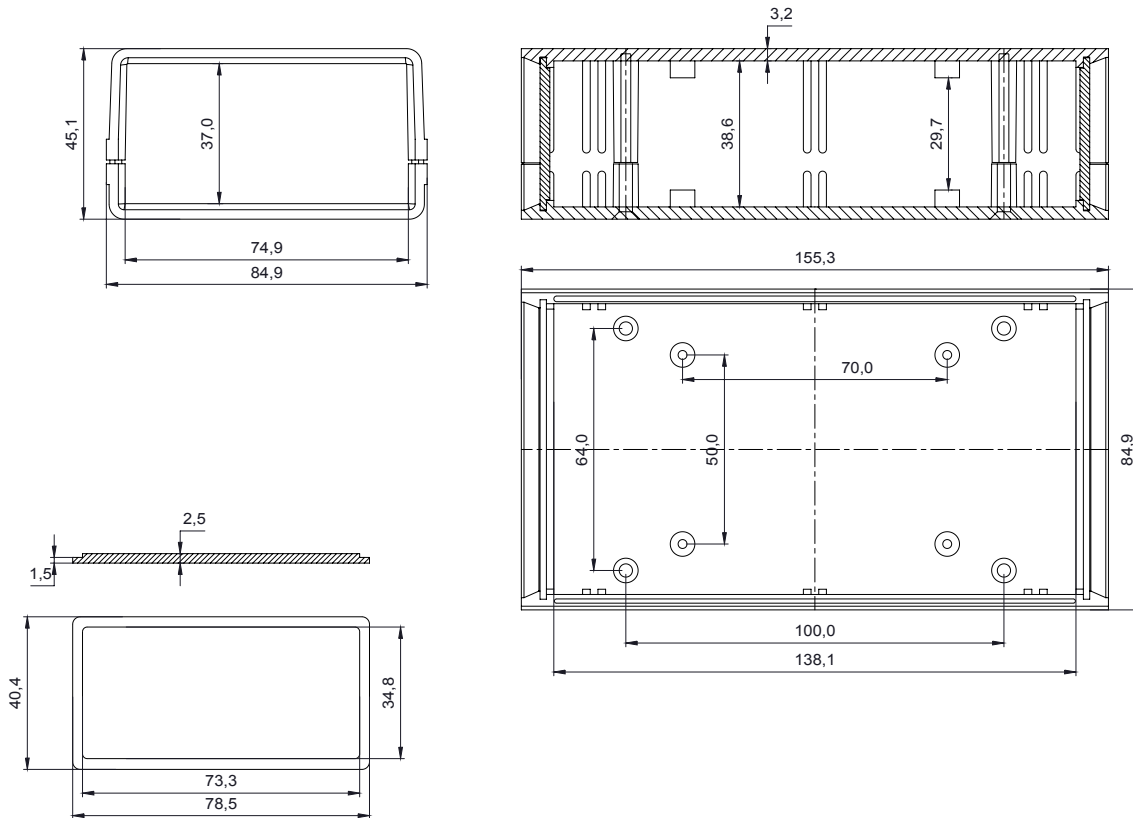




HH-8082

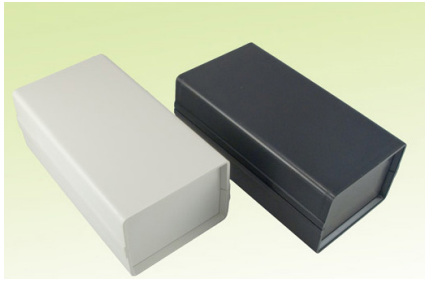
<b>HH-8082</b>	
Dimensions (mm)	85 x 155 x 45
Material	ABS
Colours	Light Grey or Black

### DRAWING 1



HH-8082 Panel

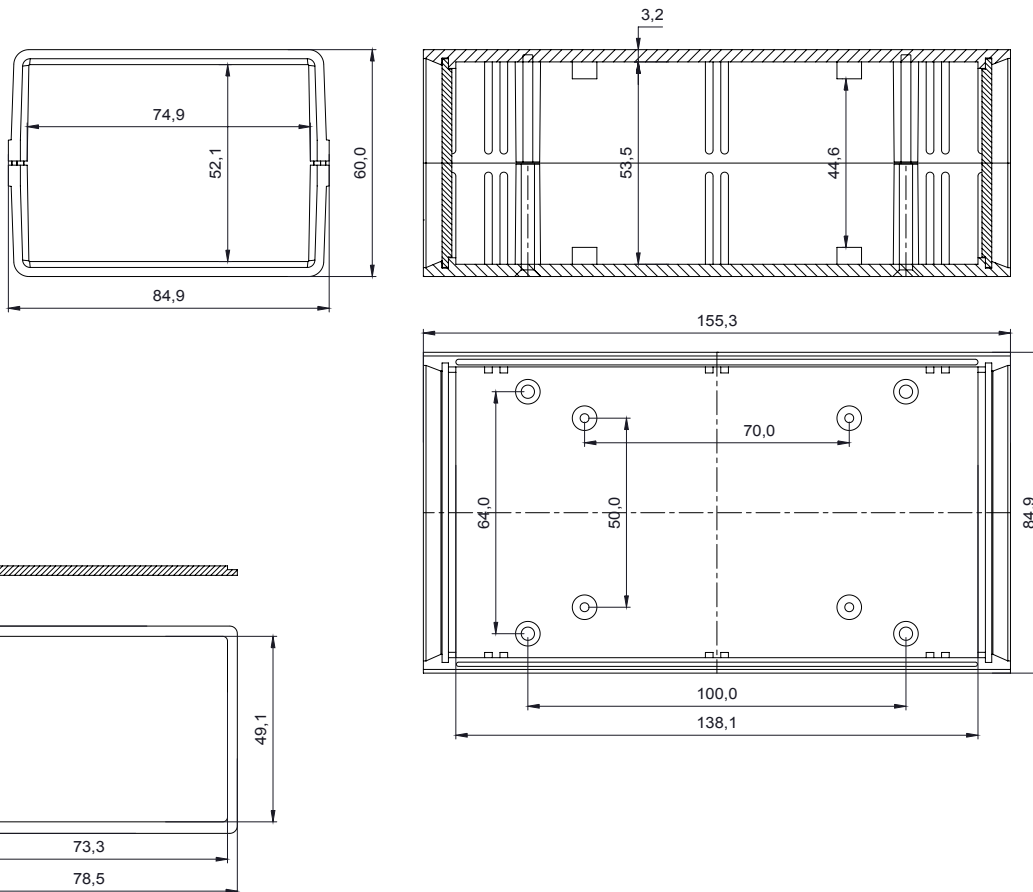




HH-8282

<b>HH-8282</b>	
Dimensions (mm)	85 x 155 x 60
Material	ABS
Colours	Light Grey or Black

### DRAWING 1

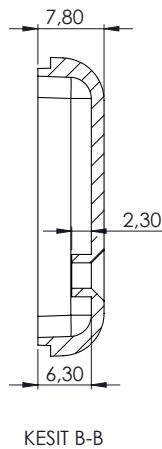
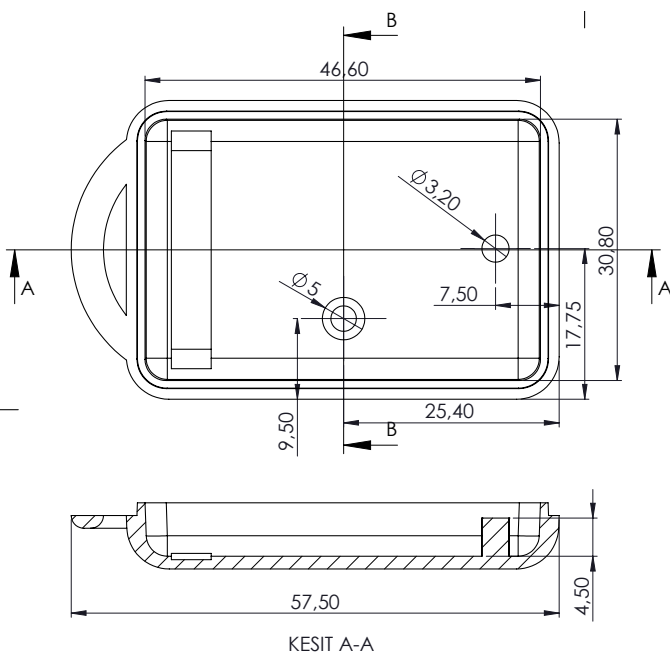
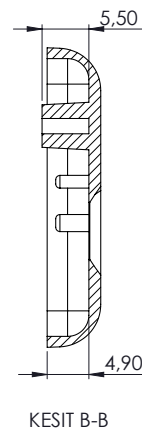
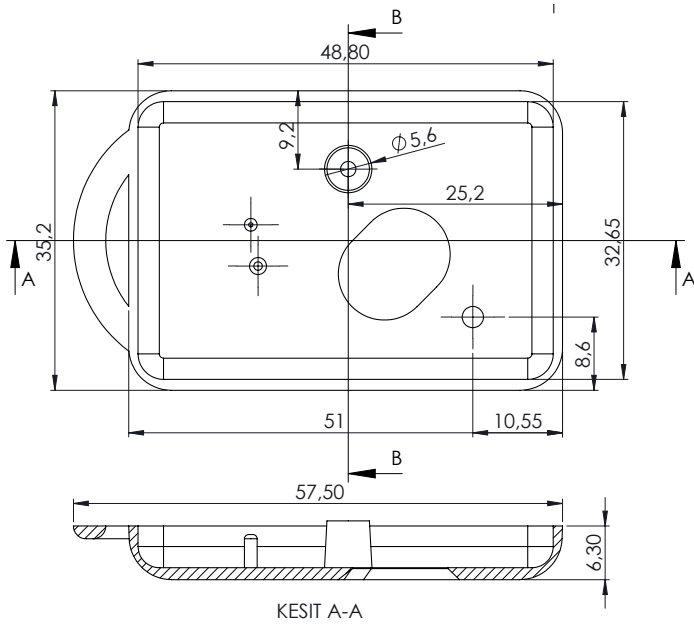


HH-8282 Panel



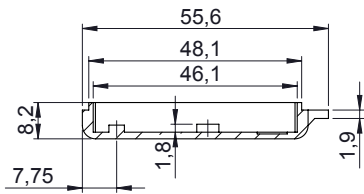
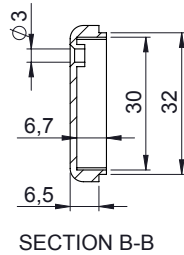
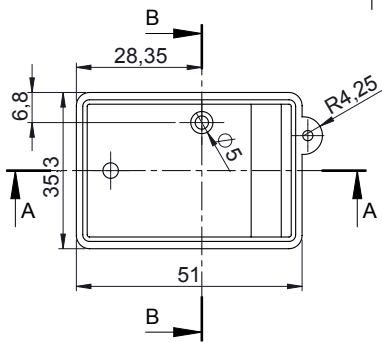


<b>RC-010</b>	
Dimensions (mm)	35 x 50 x 13 mm
Material	ABS
Colours	Black

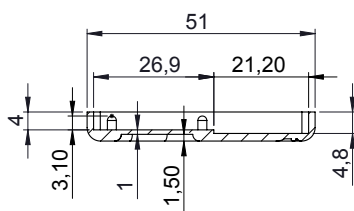
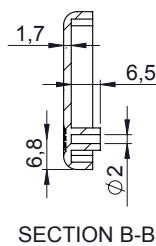
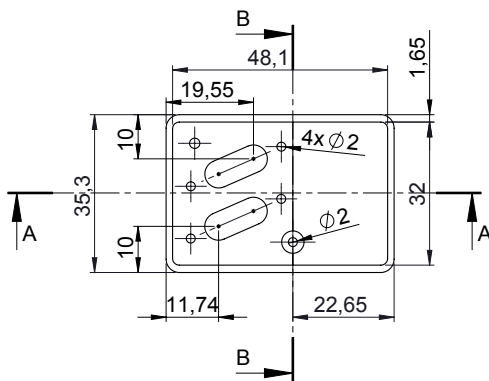
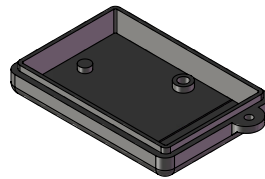




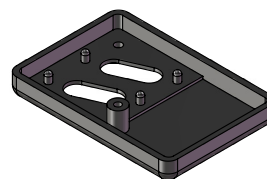
<b>RC-020</b>	
Dimensions (mm)	35 x 50 x 13 mm
Material	ABS
Colours	Black



SECTION A-A

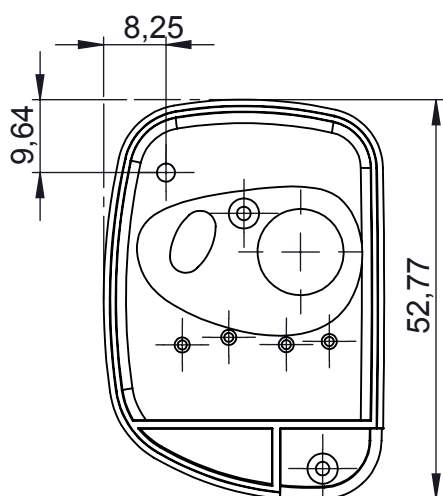


SECTION A-A

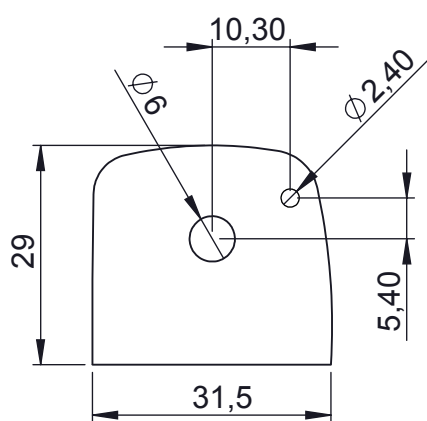




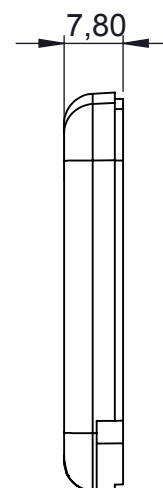
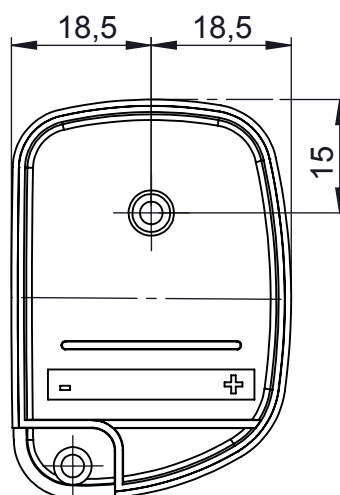
<b>RC-030</b>	
Dimensions (mm)	35 x 50 x 13 mm
Material	ABS
Colours	Black



COVER



PCB SAMPLE



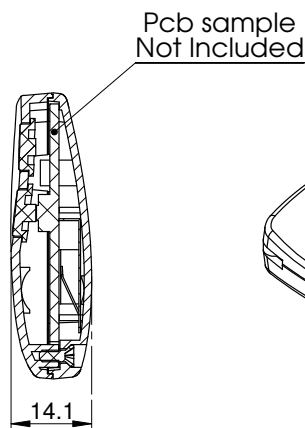
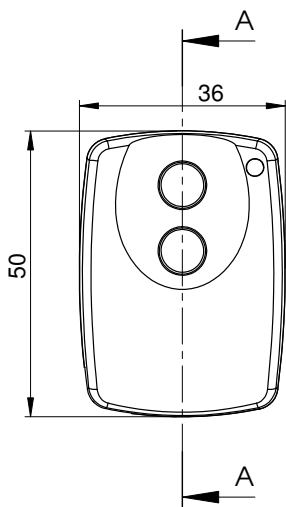
BASE



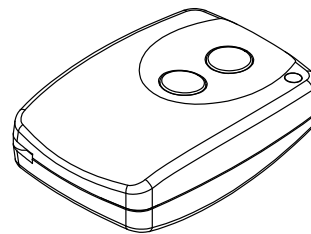




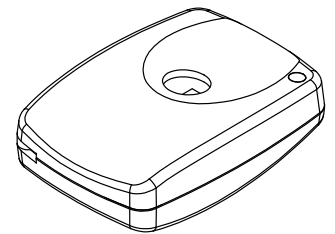
<b>RC-040</b>	
Dimensions (mm)	35 x 50 x 13 mm
Material	ABS
Colours	Black



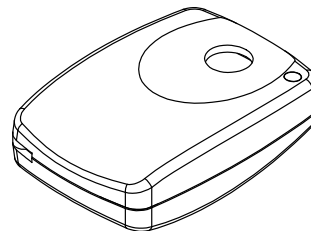
KESIT A-A



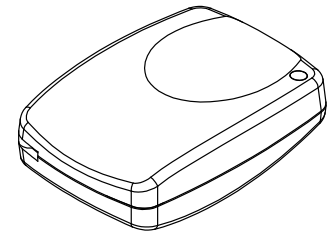
Option 1



Option 2



Option 3



Option 4

