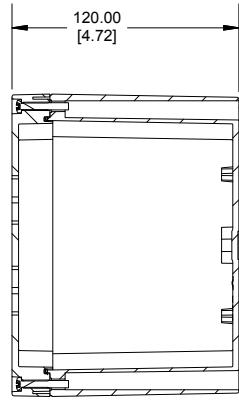
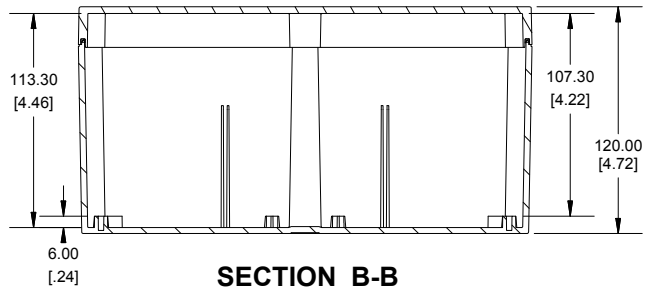
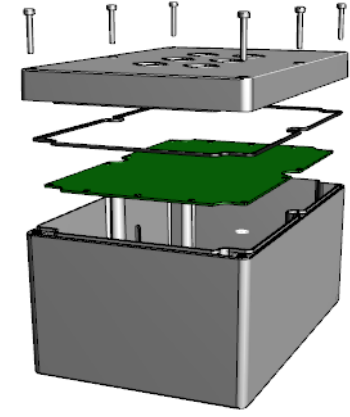


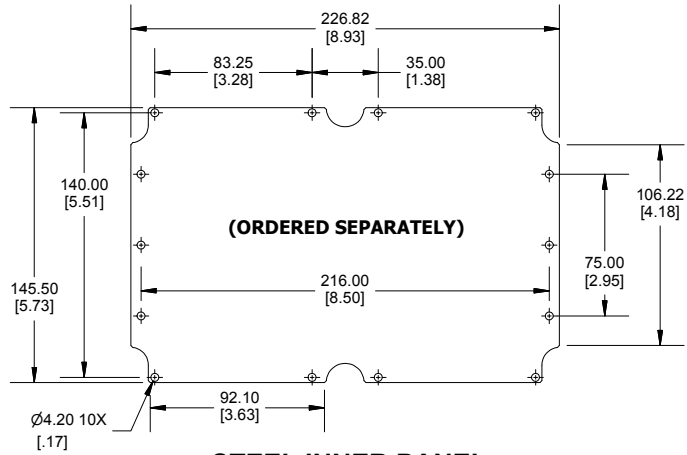
ASSEMBLY



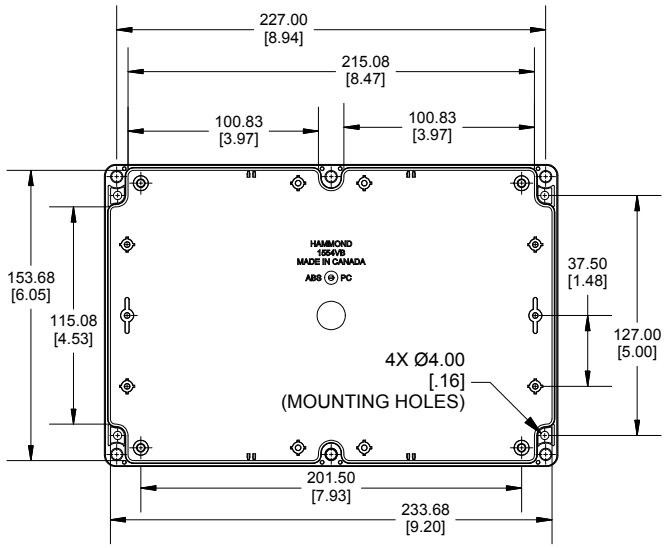
SECTION A-A



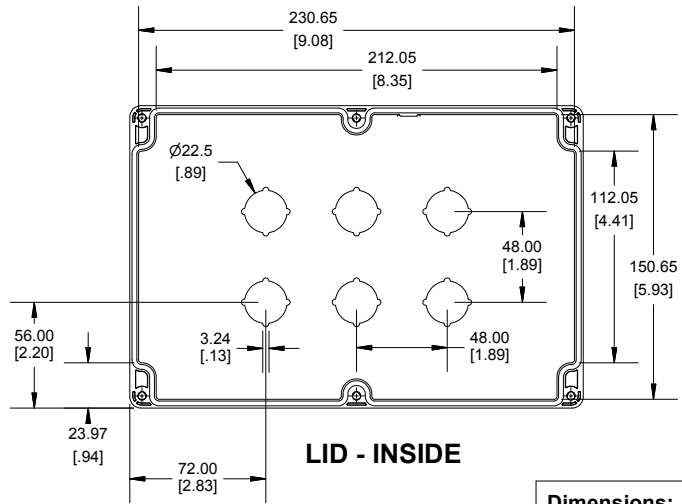
SECTION B-B



STEEL INNER PANEL



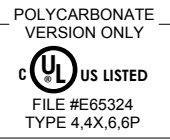
BOX - INSIDE



LID - INSIDE

Dimensions:
mm
[inches]

SEE ENCLOSURE 1554VB
FOR MORE DETAIL



Enclosures can be Factory Modified (Milling, Drilling, Printing etc.)
Contact Factory mjm@hammondmfg.com for quotes
Solid models of this enclosure available in STEP or IGES.
(Part number and text placement/orientation on our products are subject to change, we do not recommend using them as a locating reference for modification purposes)

NOTE	
Purchased assembly includes box, lid, 6 cover screws, and preformed silicone gasket.	
Polycarbonate version is UL 508A approved. (Matl UL94 - 5VA @ 3mm)	
Lid accepts 22.5mm push buttons	
Recommended Cover screw torque -- 71-85 ozf-in (50-60 cN-m)	

1554MPB	
1554MPB Enclosure	
Polycarbonate RAL-7035	1554MPB6B
ACCESSORIES	
Steel Inner Panels	1554VAPL
Steel Panel / P.C. Board (Pkg 100) [M3-0.5 x 8mm Plated]	1591MM100
Steel Panel / P.C. Board Self Tapping Screw [#8 X 5/16" (8mm) Plated] (Pkg 100)	1598ATS100
Cover Screws (Pkg 50) [M4-0.7 X 25mm Stainless Steel]	SC583-50

**HAMMOND
MANUFACTURING**

1554MPB6B

www.hammondmfg.com