

24

2410 01

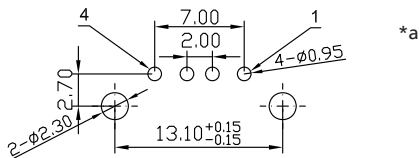
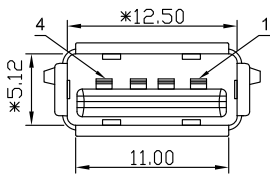
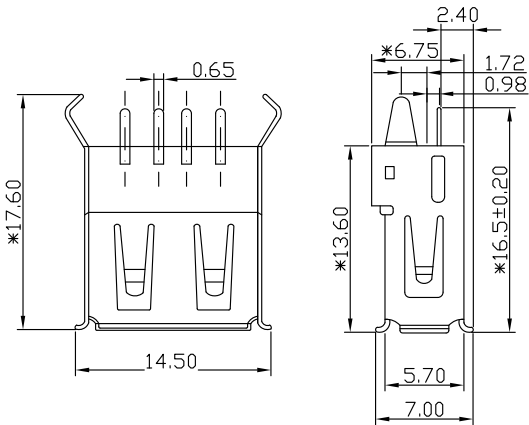
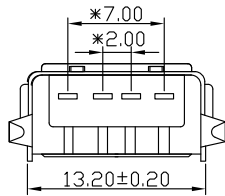
USB and IEEE 1394 connectors



USB 2.0 chassis socket type A, upright version, for printed circuit boards

24

2410 01



### Environmental conditions

Temperature range -45 °C/+85 °C

### Materials

Insulating body	PBT GF, V-0 according to UL94
Contact spring	CuSn, gold-plated, tin-plated in solder area
Housing	CuZn, tin-plated
Cover	PBT, VO according to UL94

### Mechanical data

Mating cycles	1500
Insertion force	≤ 35 N
Withdrawal force	≥ 10 N

### Electrical data (at T<sub>amb</sub> 20 °C)

Contact resistance	≤ 30 mΩ
Rated current	≤ 1,5 A
Rated voltage	30 V
Rated impulse voltage	500 V/60 s
Insulation resistance	≥ 1 GΩ

### Associated products

Counterparts  
 ☞ 2410 07      ☞ 2410 08      ☞ 2431  
 ☞ 2480      ☞ 2482

Accessories  
 ☞ 2412 01

\*a printed circuit board layout, solder side view

24

2410 01

Designation	Pole Number	PU (Pieces)	MDQ (Pieces)
2410 01	4	120	600

**Packaging:**  
in a tray