

Enclosed Bayonet Fuse Holder

6.35mm × 30mm / 6.35mm × 31.8mm



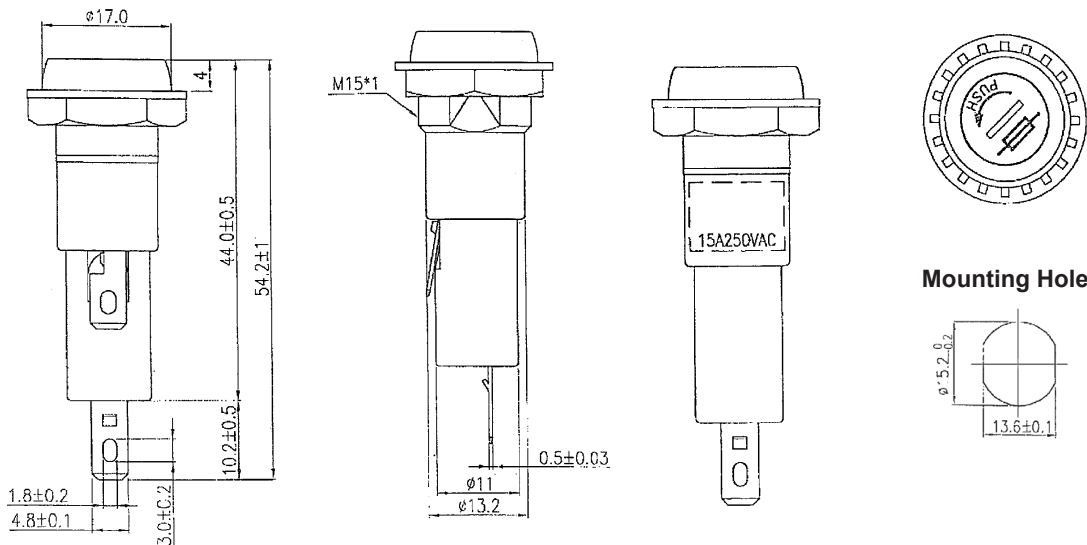
Specifications

Fuse Holder Type	: Enclosed Bayonet Style
Fuse Holder Terminal	: Quick Connect
Fuse Size	: 6.35mm × 30mm / 6.35mm × 31.8mm
No. of Fuses	: 1 Fuse
Current Rating	: 15A
Voltage Rating	: 250V AC
Insulation Resistance	: DC 500V 100MΩ Min.
Dielectric Strength	: AC 1500V for 1 minute

Material Specifications

Housing	: Phenolic, UL94V-0, Black
Cover	: PBT, UL94V-0, Black
Terminals	: Brass, Tin Plated

Diagram



Dimensions : Millimetres
Tolerances : $\pm 0.3\text{mm}$

Part Number Table

Description	Part Number
Enclosed Bayonet Fuse Holder, Single, 6.35mm × 30mm / 6.35mm × 31.8mm, QC	MC002805

Important Notice : This data sheet and its contents (the "Information") belong to the members of the Premier Farnell group of companies (the "Group") or are licensed to it. No licence is granted for the use of it other than for information purposes in connection with the products to which it relates. No licence of any intellectual property rights is granted. The Information is subject to change without notice and replaces all data sheets previously supplied. The Information supplied is believed to be accurate but the Group assumes no responsibility for its accuracy or completeness, any error in or omission from it or for any use made of it. Users of this data sheet should check for themselves the Information and the suitability of the products for their purpose and not make any assumptions based on information included or omitted. Liability for loss or damage resulting from any reliance on the Information or use of it (including liability resulting from negligence or where the Group was aware of the possibility of such loss or damage arising) is excluded. This will not operate to limit or restrict the Group's liability for death or personal injury resulting from its negligence. Multicomp is the registered trademark of the Group. © Premier Farnell Limited 2016.

www.element14.com
www.farnell.com
www.newark.com

