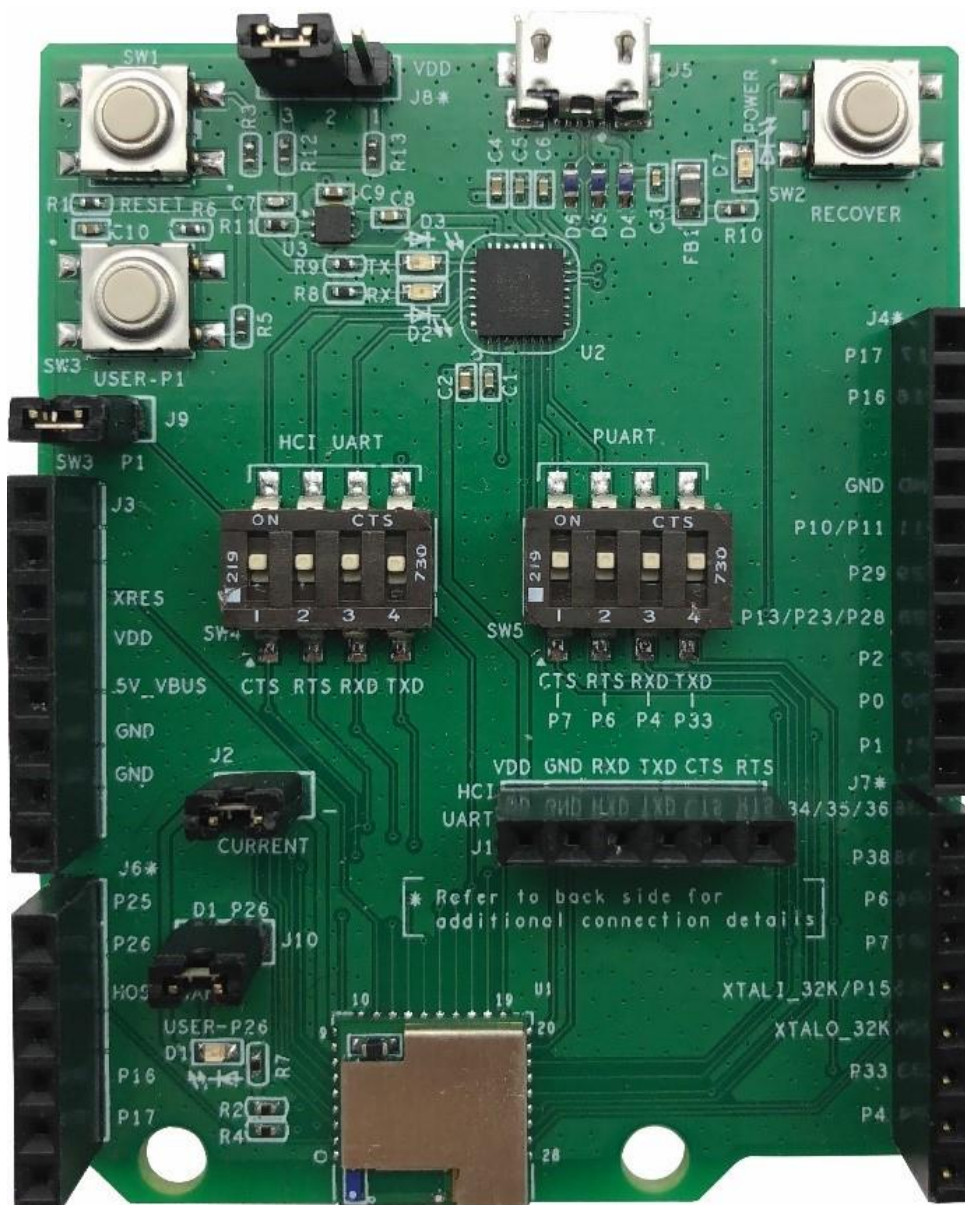




# CYBT-423028-EVAL EZ-BT™ Module Arduino Evaluation Board



The EZ-BT Module Arduino Evaluation Board (CYBT-423028-EVAL) enables you to evaluate and develop applications on the EZ-BT WICED Module, CYBT-423028-02. CYBT-423028-EVAL can be used as a standalone evaluation kit or can be combined with Arduino compatible shields.

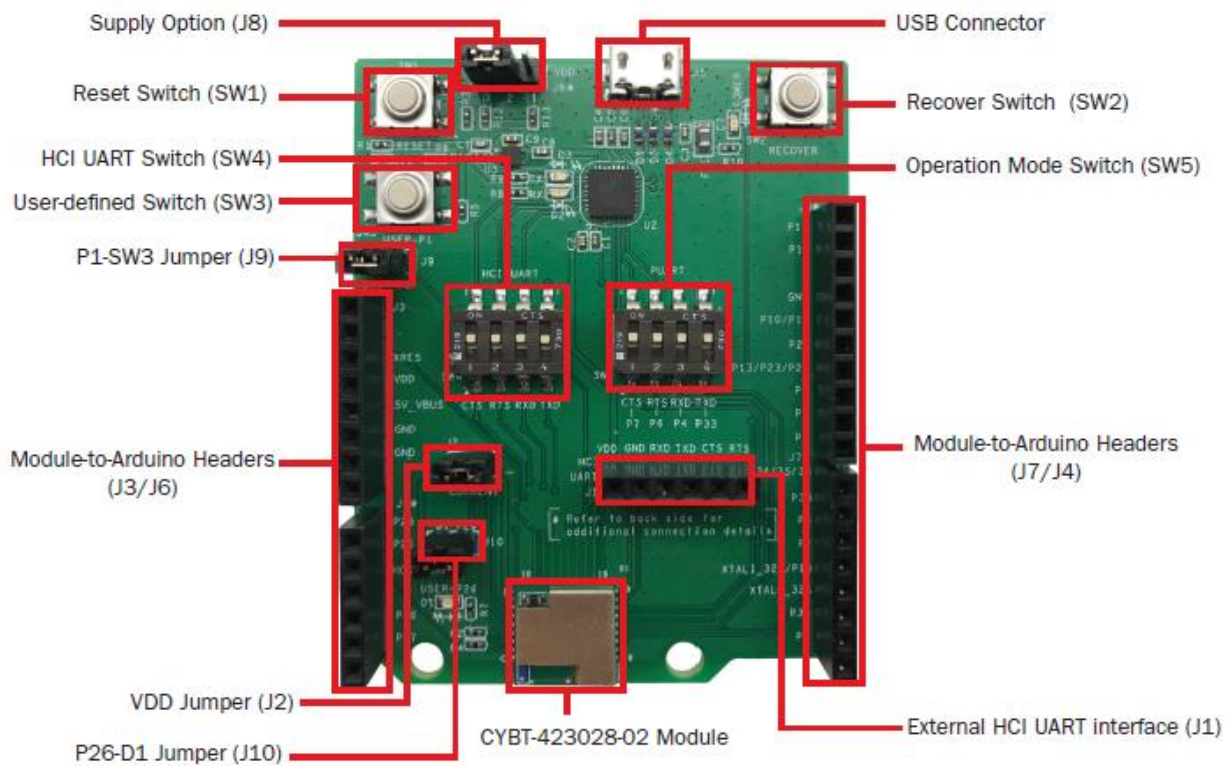
### Standalone Usage:

To use the CYBT-423028-EVAL,

1. Configure the evaluation board headers/switches to the desired settings
2. Connect the evaluation board to a PC via a USB cable
3. Refer to [KBA223637](#) for platform files, Makefile target generation, and HCI UART switch position setting for programming
4. Open the WICED Studio IDE, develop your application, program and test

### Optional Usage with Arduino Shield:

Arduino compatible shields can be connected through the Arduino compatible headers (J3/J4/J6/J7) to provide additional I/O connections and functionality.



### Kit Contents:

- 1 X EZ-BT Module Arduino Evaluation Board (CYBT-423028-EVAL) with on-board EZ-BT WICED Module (CYBT-423028-02)
- 1 X USB Cable