

8796 LA Zyklop "flexible-lock" extension with free-turning sleeve, long, 1/4", 1/4
inch x 150.0 mm
The Zyklop Ratchets, 1/4"



EAN/GTIN:	4013288121059	Dimension:	215x44x20 mm
Part no.:	05003531001	Weight:	72 g
Article no.:	8796 LA	Country of origin:	CZ
		Customs tariff number:	82042000

- 1/4" Zyklop "flexible lock" extension with free-turning sleeve, long
- For 1/4" square sockets with ball lock
- Flexible lock system for either locking or rapid exchange of the attached tool
- With free-turning sleeve for rapid tightening and loosening of screws and nuts
- Chrome vanadium steel, matt chrome-plated

Wera Zyklop extension with flexible-lock: when activated the sockets are secured and permanently fixed, any unintentional loss being avoided. When the system is deactivated, the sockets can be quickly attached and exchanged. Equipped with a free-turning sleeve for faster turning of screws and nuts.

Weblink

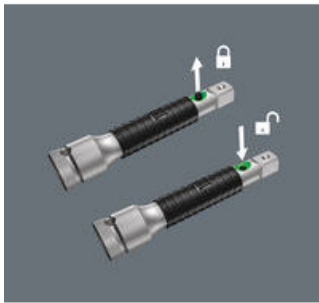
http://products.wera.de/en/tools_for_the_aerospace_segment_ratchets_the_zyklop_ratchets_1_4_8796_la.html

Wera - 8796 LA
05003531001 - 4013288121059

Wera Werkzeuge GmbH
Korzter Straße 21-25
D-42349 Wuppertal
Tel: +49 (0)2 02 / 40 45-0
E-Mail: info@wera.de

Flexible-lock-system

Free-turning sleeve



The extensions from the premium lines are also equipped with the unique "flexible-lock-system". By activating this system, attachments can be fixed to the extension permanently – preventing slipping and any unintentional loss of the attachment. When the system is deactivated, the sockets can be attached as usual and changed in a flash.



The free-turning sleeve on the Zyklop Speed and the Zyklop extension effectively accelerates the turning of screws and nuts.

More variants of this product family:



mm

05003531001

1/4"

150.0

Weblink

http://products.wera.de/en/tools_for_the_aerospace_segment_ratchets_the_zyklop_ratchets_1_4_8796_la.html

Wera - 8796 LA
05003531001 - 4013288121059

Wera Werkzeuge GmbH
Korzter Straße 21-25
D-42349 Wuppertal
Tel: +49 (0)2 02 / 40 45-0
E-Mail: info@wera.de