

MOULDED SOUND PROJECTORS



➤ **CAD20/T**
 ➤ **CAD20/TC**

TECHNICAL SPECIFICATIONS

Rated power, Watts	20
Tappings 100 volt line, Watts	20/10/5/2.5
Transformer Impedance, Ohms, 100V	500/1k/2k/4k
Tappings 70.7 volt line, Watts	10/5/2.5/1.25
Driver impedance, Ohms	8
Effective frequency range, Hz (BSEN60268-5)	110-18,000
S.P.L. @ 1m, 1 watt, dB, Test Signal Bandwidth	100Hz-10 kHz 91
S.P.L. @ Full power, Octave Bandwidth, dB	104
Acoustic Power (dB-PWL@1 watt) 1k/2kHz,dB	89/90
Dispersion at 1k/2k Hz, Degrees	180/120
Directivity Axial Q factor, 1k/2kHz	2.6/5.6
IP Rating	66
Max/Min Ambient Temp	70°/-25°
Dimensions, front & depth, mm	Ø138 x 204
Net weight, Kgs	1.6
Colour/Finish	White
Material	ABS Plastic with UV inhibitor and Stainless steel hardware
Mounting	Aluminium U bracket

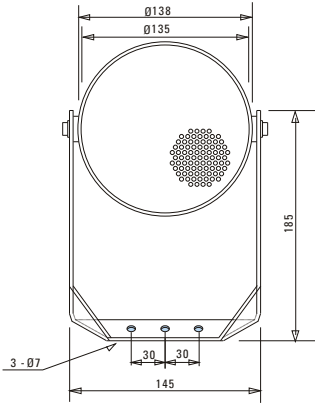
- CAD20/TC is Part 8 Voice Alarm Compliant but not EN54-24 Certified
- CAD20/T supplied with 300mm, 5 core, non-fire rated cable tail
- Suitable for external use

Manufacturer reserves the right to alter specifications without notice

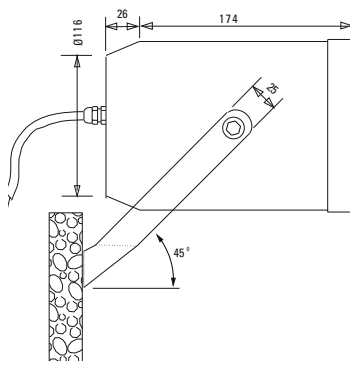
September 2016

➤ **CAD20/T** ➤ **CAD20/TC**
MOULDED SOUND PROJECTORS

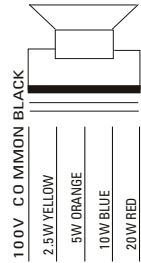
▼ front view
 unit: mm



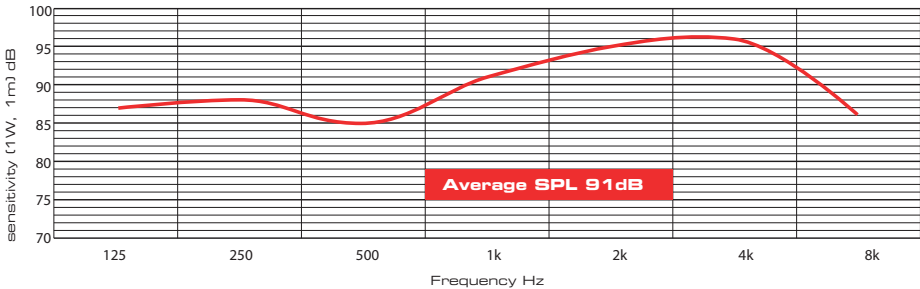
▼ side view
 unit: mm



▼ circuit diagram
CAD20/T



speech octave band sensitivity



Effective Frequency Range ● **CAD20/T CAD20/TC** 110Hz - 18,000Hz



Penton UK Ltd

Unit 2 Teville Industrials | Dominion Way | Worthing | West Sussex | BN14 8NW
 T: +44 (0)1903 215315 | F: +44(0)1903 215415 | E: SALES@PENTONUK.CO.UK

www.pentonuk.co.uk