

**D-SERIES DRM**  
**DRM570524**

**Weidmüller Interface GmbH & Co. KG**  
 Klingenbergstraße 16  
 D-32758 Detmold  
 Germany  
 Fon: +49 5231 14-0  
 Fax: +49 5231 14-292083  
 www.weidmueller.com



Relay from the D-SERIES DRM.

- 2 or 4 CO contacts
- Compact design
- Wide range of coil voltages
- Optional test button (AC red, DC blue)
- Optional with integrated status display (AC red, DC green)  
and/or free-wheel diode

**General ordering data**

|            |   |
|------------|---|
| Type       | DRM570524   |
| Order No.  | <a href="#">7760056083</a>  |
| Version    | D-SERIES DRM, Relay, No. of contacts: 4, CO contact, AgNi 0,15 µm Au, Rated control voltage: 24 V AC, Continuous current: 5 A, Plug-in connection |
| GTIN (EAN) | 4032248855186   |
| Qty.       | 20 pc(s).   |

**D-SERIES DRM**  
**DRM570524**

**Weidmüller Interface GmbH & Co. KG**  
 Klingenbergstraße 16  
 D-32758 Detmold  
 Germany  
 Fon: +49 5231 14-0  
 Fax: +49 5231 14-292083  
 www.weidmueller.com

**Technical data****Dimensions and weights**

|            |         |                 |            |
|------------|---------|-----------------|------------|
| Width      | 21 mm   | Width (inches)  | 0.827 inch |
| Height     | 27.4 mm | Height (inches) | 1.079 inch |
| Depth      | 35.7 mm | Depth (inches)  | 1.406 inch |
| Net weight | 34.8 g  |                 |            |

**Temperatures**

|                             |  |                             |                |
|-----------------------------|--|-----------------------------|----------------|
| Humidity                    | 35...85 % rel. humidity, no condensation | Operating temperature, max. | 55 °C          |
| Operating temperature, min. | -40 °C                                   | Storage temperature, max.   | 70 °C          |
| Storage temperature, min.   | -40 °C                                   | Operating temperature       | -40 °C...55 °C |
| Storage temperature         | -40 °C...70 °C                           |                             |                |

**Input**

|                       |                    |                                |                                  |
|-----------------------|--------------------|--------------------------------|----------------------------------|
| Rated control voltage | 24 V AC            | Rated current AC               | 62.4 mA (50 Hz), 52.2 mA (60 Hz) |
| Power rating          | 1.0...1.2VA (60HZ) | Pull-in/drop-out voltage, typ. | 19.2 V / 7.2 V AC                |
| Coil resistance       | 160 Ω ± 10 %       |                                |                                  |

**Output**

|   |                            |   |              |
|---|----------------------------|---|--------------|
| Rated switching voltage                 | 250 V AC                   | Max. switching voltage, AC              | 250 V        |
| Continuous current                      | 5 A                        | Inrush current                          | 10 A / 50 ms |
| AC switching capacity (resistive), max. | 1250 VA                    | DC switching capacity (resistive), max. | 120 W @ 24 V |
| Switch-on delay                         | < 20 ms                    | Switch-off delay                        | < 20 ms      |
| Min. switching power                    | 10 mA @ 12 V, 100 mA @ 5 V | Max. switching frequency at rated load  | 0.1 Hz       |

**Contact data**

|                         |                                       |                    |         |
|-------------------------|---------------------------------------|--------------------|---------|
| Contact type            | 4 CO contact (AgNi 0,15 µm Au)        | Contact resistance | ≤ 50 mΩ |
| Mechanical service life | 20 x 10 <sup>6</sup> switching cycles |                    |         |

**General data**

|             |             |                                      |     |
|-------------|-------------|--------------------------------------|-----|
| Test button | No          | Mechanical switch position indicator | Yes |
| Colour      | Transparent | UL 94 flammability rating            | V-0 |

**Insulation coordination**

|  |                                |  |                             |
|--|--------------------------------|--|-----------------------------|
| Rated voltage                                | 250 V                          | Surge voltage category                         | III                         |
| Pollution severity                           | 2                              | Protection degree                              | IP20                        |
| Dielectric strength input – output           | 1.8 kV <sub>eff</sub> / 1 min. | Creepage and clearance distance input – output | ≥ 5.5 mm                    |
| Dielectric strength of neighbouring contacts | 1 kV <sub>eff</sub> / 1 min    | Dielectric strength of open contact            | 1 kV <sub>eff</sub> / 1 min |
| Impulse withstand voltage                    | 6 kV (1.2/50 µs)               |  |                             |

**D-SERIES DRM**  
**DRM570524**

**Weidmüller Interface GmbH & Co. KG**  
 Klingenbergstraße 16  
 D-32758 Detmold  
 Germany  
 Fon: +49 5231 14-0  
 Fax: +49 5231 14-292083  
 www.weidmueller.com

**Technical data****Further details of approvals / standards**

|           |  |                         |         |
|-----------|--|-------------------------|---------|
| Standards | IEC 61810-1, EN 60664-1:2007, EN 61000-6-2:2005, EN 61000-6-4:2007 + A1:2011, UL 508 | Certificate No. (cURus) | E312083 |
|-----------|--|-------------------------|---------|

**Connection data**

|                        |                    |
|------------------------|--------------------|
| Wire connection method | Plug-in connection |
|------------------------|--------------------|

**Classifications**

|            |             |            |             |
|------------|-------------|------------|-------------|
| ETIM 3.0   | EC001437    | ETIM 5.0   | EC001437    |
| ETIM 6.0   | EC001437    | eClass 6.2 | 27-37-16-01 |
| eClass 7.1 | 27-37-16-01 | eClass 8.1 | 27-37-16-01 |
| eClass 9.0 | 27-37-16-01 | eClass 9.1 | 27-37-16-01 |

**Approvals**

Approvals



ROHS Conform

**Downloads**

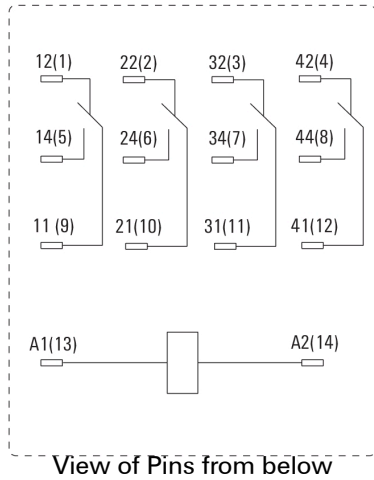
|   |   |
|---|---|
| Approval/Certificate/Document of Conformity | <a href="#">DE_PA_5600_160310_001.pdf</a> |
| Brochure/Catalogue                          | <a href="#">CAT 4.2 ELECTR 18/19 EN</a>   |
| Engineering Data                            | <a href="#">EPLAN, WSCAD</a>              |

**D-SERIES DRM**  
**DRM570524**

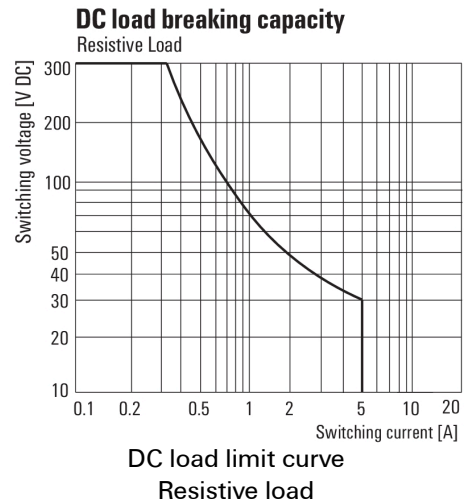
**Weidmüller Interface GmbH & Co. KG**  
Klingenbergstraße 16  
D-32758 Detmold  
Germany  
Fon: +49 5231 14-0  
Fax: +49 5231 14-292083  
www.weidmueller.com

**Drawings**

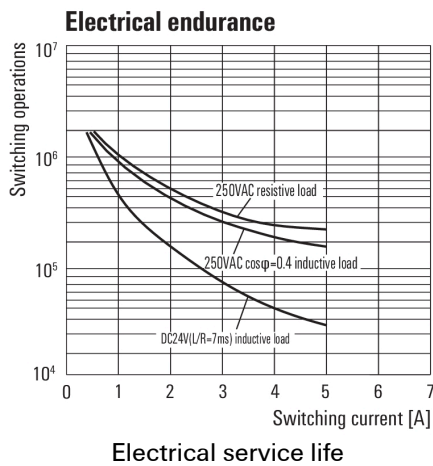
**Wiring diagram**



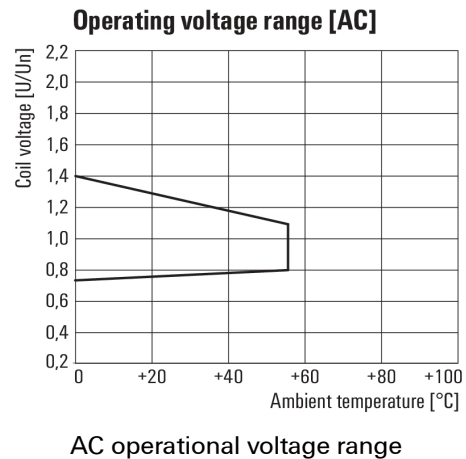
**Graph**



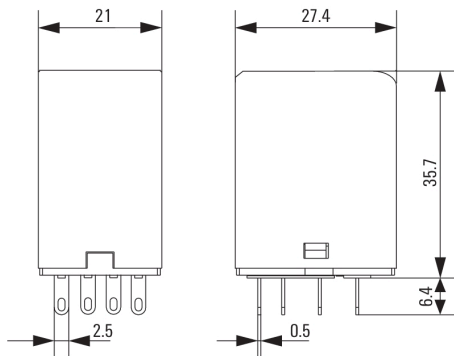
**Graph**



**Graph**



**Dimensional drawing**



**Data sheet**

**D-SERIES DRM  
DRM570524**

**Weidmüller Interface GmbH & Co. KG**  
 Klingenbergstraße 16  
 D-32758 Detmold  
 Germany  
 Fon: +49 5231 14-0  
 Fax: +49 5231 14-292083  
 www.weidmueller.com

**Drawings**

**Miscellaneous**



Type codes