

**SAI-M23-KS-7/12****Weidmüller Interface GmbH & Co. KG**

Klingenbergstraße 16

D-32758 Detmold

Germany

Fon: +49 5231 14-0

Fax: +49 5231 14-292083

www.weidmueller.com



The M23 round plug-in connectors offer a high number of mating cycles, high current-carrying capacity and high contact-density coupled with minimum dimensions. Enclosures, inserts and crimp contacts need to be ordered separately.

**General ordering data**

Type	SAI-M23-KS-7/12
Order No.	<a href="#">1169900000</a>
Version	Sensor/Actuator plug-in connector, Empty enclosure
GTIN (EAN)	4032248961948
Qty.	1 pc(s).

## SAI-M23-KS-7/12

Weidmüller Interface GmbH &amp; Co. KG

Klingenbergstraße 16

D-32758 Detmold

Germany

Fon: +49 5231 14-0

Fax: +49 5231 14-292083

www.weidmueller.com

## Technical data

## Dimensions and weights

Net weight 74 g

## Temperatures

Operating temperature, max. 125 °C Operating temperature, min. -40 °C

## Standards

Certificate No. (UR) E344862

## General data

Cable diameter, max.	12 mm	Cable diameter, min.	7 mm
Conductor O.D.	7 - 12mm	Conductor O.D., max.	12 mm
Conductor O.D., min.	7 mm	Housing main material	Copper-zinc alloy, Zinc diecast
Plugging cycles	> 1000	Protection degree	IP67, IP69K
Temperature range of housing	-40...+125 °C	connection thread	M23

## Classifications

ETIM 5.0	EC002635	ETIM 6.0	EC000437
eClass 6.2	27-06-91-90	eClass 7.1	27-06-91-90
eClass 8.1	27-06-91-90	eClass 9.0	27-06-91-90
eClass 9.1	27-44-02-02		

## Product information

Product information Enclosures, inserts and crimp contacts need to be ordered separately.

## Approvals

Approvals



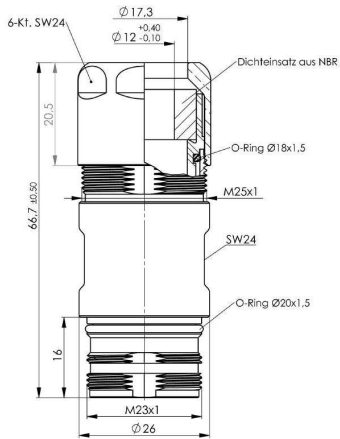
ROHS Conform

## Downloads

Brochure/Catalogue [CAT 8 SAI 15/16 EN](#)  
[FL FIELDWIRING EN](#)

**SAI-M23-KS-7/12**

**Weidmüller Interface GmbH & Co. KG**  
Klingenbergstraße 16  
D-32758 Detmold  
Germany  
Fon: +49 5231 14-0  
Fax: +49 5231 14-292083  
www.weidmueller.com

**Drawings****Dimensioned drawing**

# Cable connector

F

