

**SAIE-M23-L-HW****Weidmüller Interface GmbH & Co. KG**

Klingenbergstraße 16

D-32758 Detmold

Germany

Fon: +49 5231 14-0

Fax: +49 5231 14-292083

www.weidmueller.com



The M23 round plug-in connectors offer a high number of mating cycles, high current-carrying capacity and high contact-density coupled with minimum dimensions. Enclosures, inserts and crimp contacts need to be ordered separately.

**General ordering data**

Type	SAIE-M23-L-HW
Order No.	<a href="#">1170340000</a>
Version	Sensor/Actuator plug-in connector, Built-in plugs, Empty enclosure
GTIN (EAN)	4032248962297
Qty.	1 pc(s).

**SAIE-M23-L-HW**

**Weidmüller Interface GmbH & Co. KG**  
 Klingenbergstraße 16  
 D-32758 Detmold  
 Germany  
 Fon: +49 5231 14-0  
 Fax: +49 5231 14-292083  
 www.weidmueller.com

**Technical data**

**Dimensions and weights**

Net weight 26 g

**Temperatures**

Operating temperature, max. 125 °C      Operating temperature, min. -40 °C

**Standards**

Certificate No. (UR) E344862

**General data**

Conductor O.D. -

**Classifications**

ETIM 5.0	EC002635	ETIM 6.0	EC000437
eClass 6.2	27-06-91-90	eClass 7.1	27-06-91-90
eClass 8.1	27-06-91-90	eClass 9.0	27-06-91-90
eClass 9.1	27-44-02-02		

**Product information**

Product information Enclosures, inserts and crimp contacts need to be ordered separately.

**Approvals**

Approvals



ROHS Conform

**Downloads**

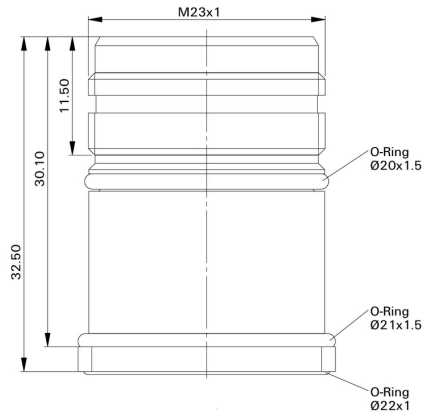
Brochure/Catalogue [CAT 8 SAI 15/16 EN](#)  
[FL FIELDWIRING EN](#)

**SAIE-M23-L-HW**

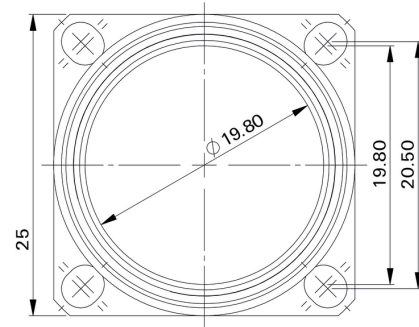
**Weidmüller Interface GmbH & Co. KG**  
 Klingenbergstraße 16  
 D-32758 Detmold  
 Germany  
 Fon: +49 5231 14-0  
 Fax: +49 5231 14-292083  
 www.weidmueller.com

**Drawings**

**Dimensioned drawing**



**Dimensioned drawing**



# Device connector

F

