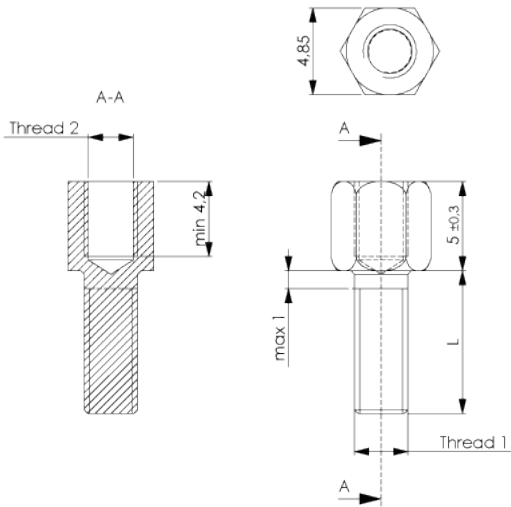
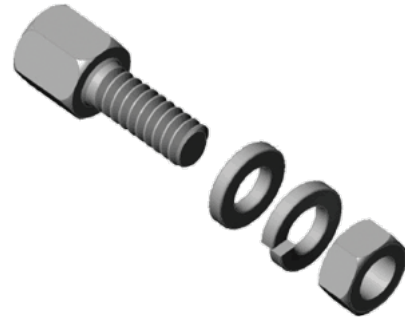


D-Sub Accessories / Female Screw Lock

TECHNICAL SPECIFICATIONS

Material: Ni-plated steel
 1 kit comprise: 2 screws
 2 spring washers
 2 UNC 4-40 nuts
 Thread options: UNC 4-40 or M3



Length (L)	Thread 1	Thread 2	Item
8 mm	UNC4-40	UNC 4-40	DJF-8
8 mm	M3	UNC 4-40	DJF-8-3-4
8 mm	M3	M3	DJF-8-3-3
14 mm	UNC4-40	UNC 4-40	DJF-14
14 mm	M3	M3	DJF-14-3-3

PART NUMBERING SYSTEM

DJF - 8 - - BULK

Series: _____
 DJF
 Length: _____
 8 = 8 mm
 14 = 14 mm
 Thread options: _____
 See separate matrix above
 Packaging: _____
 K = Kitpackage
 BULK = Bulk / 100 pcs

FEATURES

- Female screw with UNC 4-40 or M3 inner- and outer thread