

Alpha 16

2.4GHz WiFi / WLAN Adhesive Antenna



Key Features

- 2.4GHz WiFi Antenna
- Miniature footprint – 39.9 x 33.5mm
- Adhesive Base
- 2dBi Gain

General Description

The Alpha 16 is a slim, WiFi dedicated antenna. Its miniature design with a footprint size of 35.5 x 39.9mm. This antenna will fit discreetly onto most surfaces, whether that is on a work top or side of a wireless modem. It is supplied with a 3M™ adhesive base, making this antenna perfect for quick, simple installations onto a number of different surface materials such as: metal, glass, wood and plastic.

The Alpha 16 is tuned to operate within the 2.4 to 2.5GHz frequencies, making this antenna perfect for WiFi, Bluetooth and Zigbee applications. The Alpha 16 achieves a reputable peak gain of 4.73dBi, helping to improve the short range signal transmission/reception of WiFi modems, Bluetooth gadgets or even low power ZigBee sensors.

Custom cable lengths and alternative connector types can be supplied for volume orders.

Additional Considerations

- Miniature footprint size allows for internal / embedded integration
- Strong adhesive base for simple installation
- Omni directional radiation to ease installation
- Helps to clear up WiFi dead spots

Alpha 16

2.4GHz WiFi / WLAN Adhesive Antenna

Electrical Specifications

Operating Temperature:	-40 - +60°C
Impedance:	50 Ohm
Gain:	2dBi
VSWR:	≤2.0
Frequency Range:	2400 - 2483MHz
Polarization:	Linear

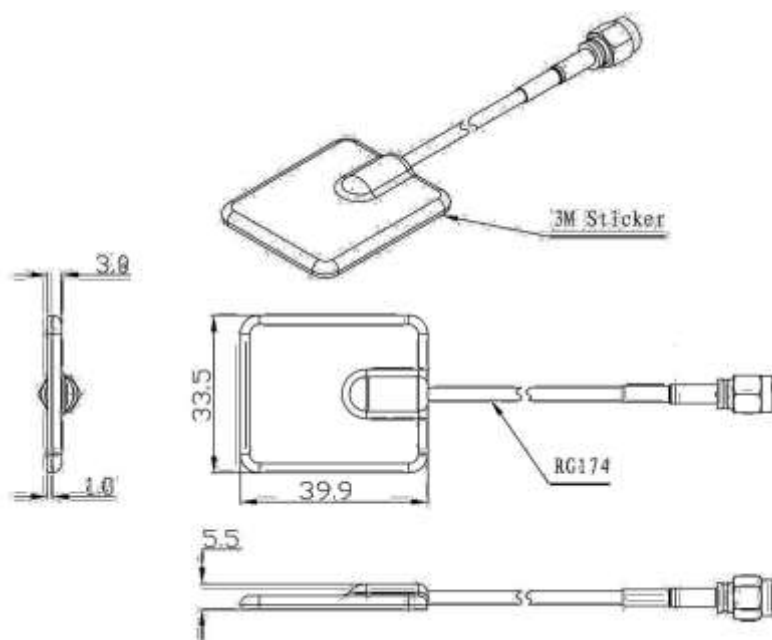
Mechanical Specifications

Dimensions:	L39.9 x W33.5 x H5.5mm
Cable:	RG174
Connector:	SMA
Mounting Method:	Adhesive

Gain

WiFi

2400MHz	4.73dBi
2500MHz	2.98dBi



Ordering Details

Part Number	Description
ALPHA16/1M/SMAM/S/RP/17	2.4GHz WIFI / WLAN ADHESIVE ANTENNA
ALPHA16/3M/SMAM/S/RP/17	2.4GHz WIFI ADHESIVE ANTENNA